

PUBLIC ADDRESS / AMPLIFIERS / MONO

MAX-360Z

PA MULTI-ZONE AMPLIFIER



- ✓ Class D amplifier and SMPS switched power supply
- ✓ Speaker output zones with volume control
- ✓ USB/FM player
- ✓ Emergency and mute input for connection to alarm and evacuation systems
- ✓ 24 V attenuators priority



+ Info:
<https://fonestar.com/MAX-360Z>

ESPECIALLY RECOMMENDED IN:



Factories



Sports facilities



Hospitality



All sectors

DESCRIPTION

PA amplifier with USB/FM player and speaker zone selector. Designed by Fonestar, unique, elegant and innovative. It uses an advanced, highly efficient and reliable Class D amplifier to deliver the best sound performance. It can cover the sound of any space for long days. The output zones allow different volume levels to be selected, customising the sound of each zone. The best solution for PA and background music installations with a large number of 100 V line loudspeakers. Low impedance output for transformerless loudspeakers is also available. It incorporates a player as a source of background music. The microphone inputs allow for ring tone announcements. They have priority in attenuating the auxiliary inputs and activate the attenuator priority (24V). Euroblock connectors with secure, long-lasting and low-maintenance connection. The amplifier is user-friendly. Can be used on the desktop or installed in a rack. Perfect for PA and piped music systems with 100 V or low-impedance line loudspeakers. In commercial premises, educational centres, monuments, exhibitions, bars, restaurants, etc.

TECHNICAL CHARACTERISTICS

FEATURES	<p>Class D PA amplifier and SMPS switch-mode power supply.</p> <p>USB/FM player.</p> <p>Microphone inputs with mix, gain and priority level control.</p> <p>Ring tone generator (Chime).</p> <p>3 auxiliary inputs.</p> <p>Emergency and mute input for connection to alarm and evacuation systems.</p> <p>24 V attenuator priority.</p> <p>Tone controls.</p> <p>100 V, 70 V and 4 Ohm outputs.</p> <p>5 output zones with volume control and Off.</p>
POWER	360 W RMS
RESPONSE	45-22,000 Hz (-10 dB)
DISTORTION	THD+N: <0.5% at 1 kHz
S/N RATIO	Mic >75 dB, Line >83 dB, Aux >81 dB
PROTECTIONS	Soft start, over-current, overload, over-heat and short circuit



+ Info:

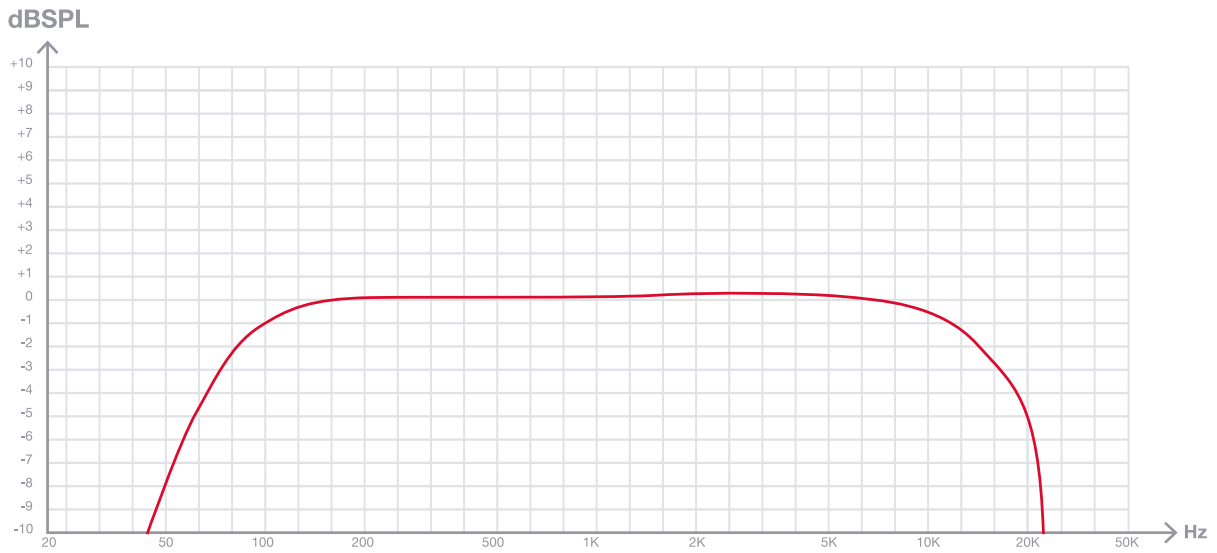
<https://fonestar.com/MAX-360Z>

INPUTS	<p>CH 1 balanced mic/line with 48V Phantom, Combo (XLR + 6.3 mm) and euroblock. Contact closure ring tones</p> <p>CH 2, 3, 4, and 5 balanced mic/line with 48V Phantom. Euroblock connector. Contact closure ring tones</p> <p>Microphone signal level: 5.6 mV RMS (-45 dBV) / 600 Ohm</p> <p>Line signal level: 250 mV RMS (-12 dBV) / 100k Ohm</p> <p>3 AUX. 2 x RCA connector. 316 mV RMS (-10 dBV) / 47,000 Ohm signal level</p> <p>1 x emergency. Euroblock connector. Signal level: 326 mV RMS (-10 dBV) line o 100 V line</p> <p>Mute (Emergency Priority) by contact closure. Euroblock connector</p> <p>1 x Amp-in. RCA connector. 1.2 V RMS (+ 1.5 dBV) signal level</p>
OUTPUTS	<p>1 REC. 2 x RCA connector. 316 mV RMS (-10 dBV) signal level. Pre-master.</p> <p>1 x Pre-out. RCA connector. 1.2 V RMS (+1.5 dBV) signal level</p> <p>100 V, 70 V or 4 Ohm loudspeaker output, or 5 zones of 100 V loudspeakers with 7-position volume selector and OFF (max. 240 W per zone). Euroblock connector</p> <p>1 x Attenuator priority, 24 V 100 mA and contact closure. Euroblock connector</p>
IMPEDANCE	4 Ohm and 100 V (27 Ohm) and 70 V (13 Ohm) line, euroblock
FUNCTIONS	<p>Input priority (voice over VOX inputs):</p> <ul style="list-style-type: none"> 100 V Emergency input with highest priority, attenuates all other inputs Mute by contact closure, attenuates all inputs except the 100 V Emergency input Channel 1 with priority over all other inputs, level selectable Channel 2, 3, 4 and 5 with priority over auxiliary inputs and player, level selectable <p>Ring tones (chime): on microphone inputs, by contact closure.</p> <p>Other functions:</p> <ul style="list-style-type: none"> Power ring light, AUX input, zone and player indicators. Ignition, signal, clip, priority activation and protection Induction cooling, fanless. Silent and maintenance-free
PLAYER	<p>USB/FM player for background music playback</p> <p>Autoplay, starts playback automatically when switched on</p> <p>Memory of last selected mode</p> <p>Play mode memory (random, repeat)</p>
CONTROLS	<p>Microphone volume</p> <p>Master volume</p> <p>Aux or player input selector</p> <p>Zones with power on and 7 volume positions</p> <p>Tone: bass and treble (+/- 10 dB 100 Hz and 10k Hz)</p> <p>Mic/line/phantom selector, ring tones and priority</p> <p>Ring tone level (chime)</p> <p>Priority activation signal level (VOX)</p>
TEMPERATURE	<p>Operation: -10° ~ 40°C</p> <p>Storage: -20° ~ 60°C</p>
MAXIMUM HUMIDITY	90%
POWER SUPPLY	<p>230/115 V AC 50-60Hz</p> <p>Power consumption: 490 W</p> <p>AC fuse 230 V 6 A / 115 V 12 A</p>
DIMENSIONS	430 x 89 x 320 mm depth. 2 U 19" rack
WEIGHT	9.8 kg
ACCESSORIES	<p>FM antenna</p> <p>Power cable</p> <p>Rack mounts</p>



+ Info:
<https://fonestar.com/MAX-360Z>

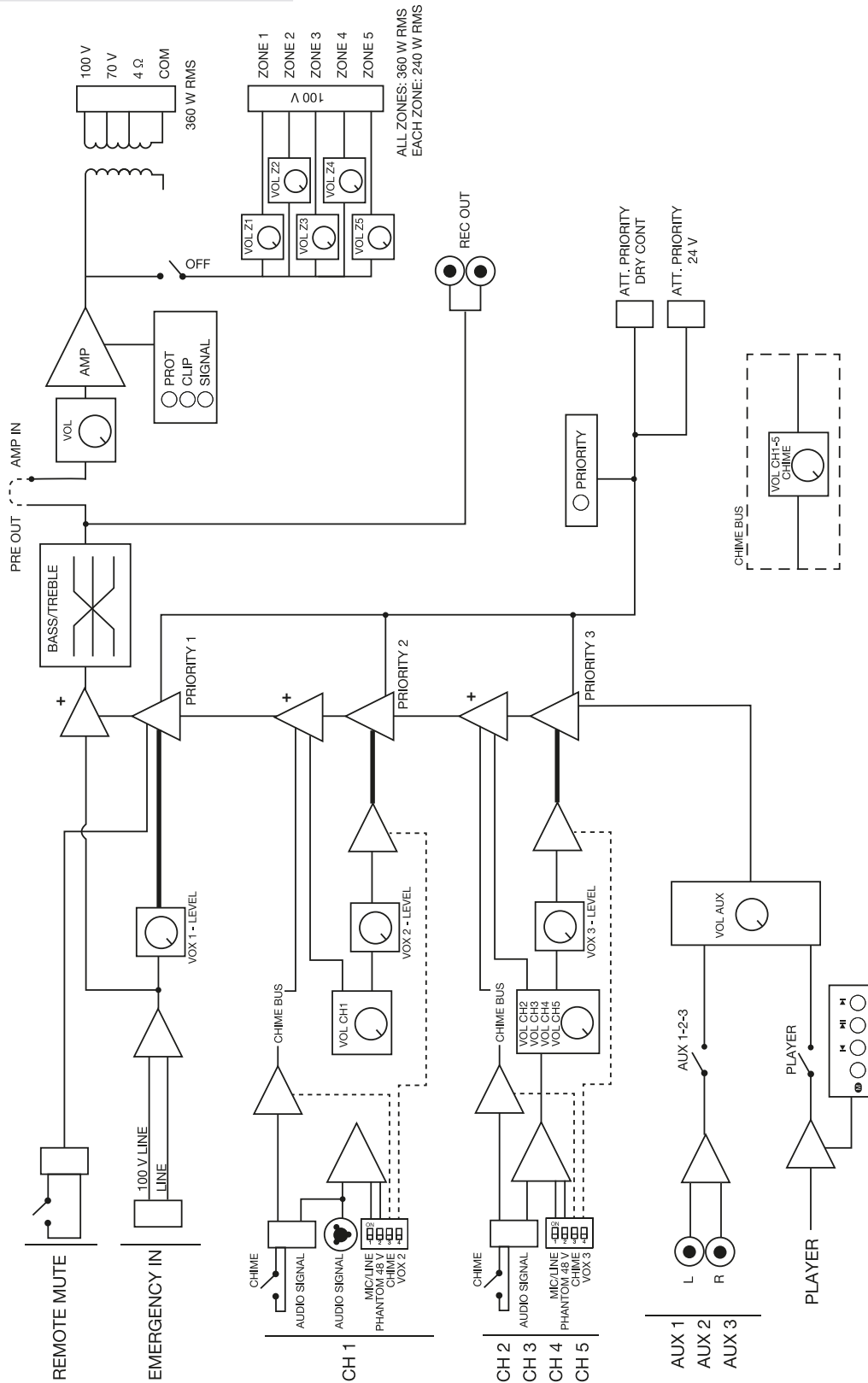
•  SPL vs Frequency



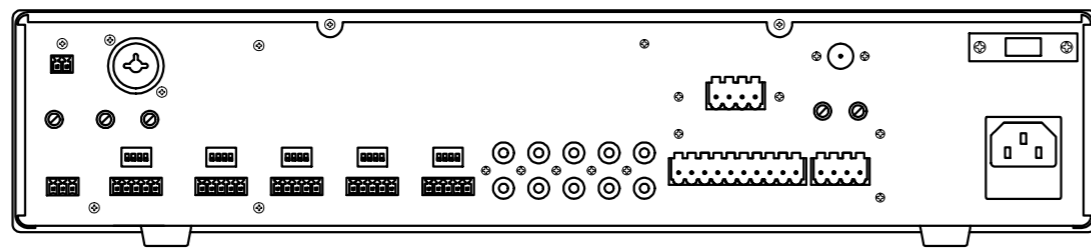
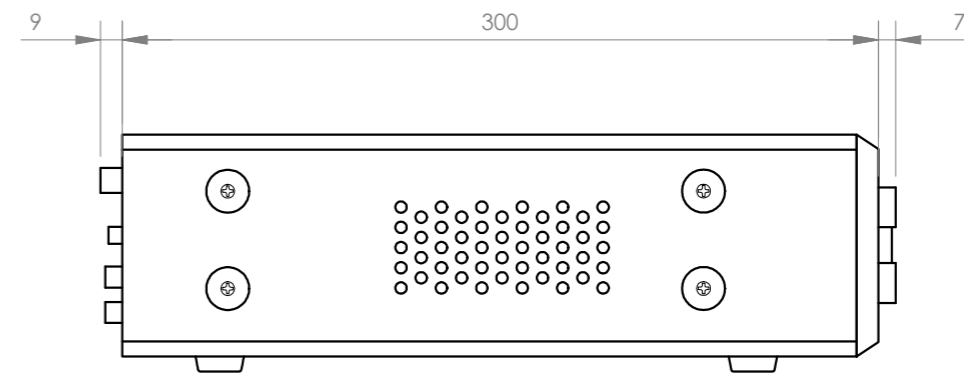
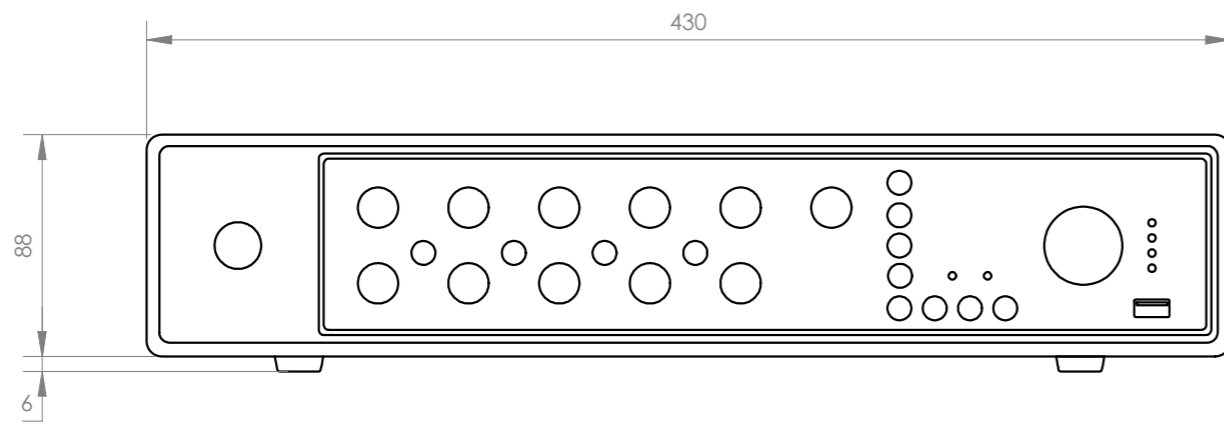
+ Info
<https://fonestar.com/MAX-360Z>



Block diagram



+ Info
<https://fonestar.com/MAX-360Z>



FONESTAR	Model	Description	Units	Scale
	MAX-360Z	PA MULTI-ZONE AMPLIFIER	mm	1:3