



AWM UHF (470-694 MHz)
 AWM UHF (823-1075 MHz)
 AWM 1G8 (1785-1805 MHz)

Model: AWM Antenna

Quick Guide
 Kurzanleitung
 Guide de démarrage rapide
 Guida rapida
 Instrucciones resumidas
 Instruções resumidas
 Beknopte gebruiksaanwijzing
 Krótka instrukcja obsługi
 Snabbguide
 Kort vejledning
 Pikaohje
 Σύντομες οδηγίες
 Kısa Kılavuz
 Краткая инструкция
 快速指南
 快速使用指南
 クイックガイド
 요약 안내서

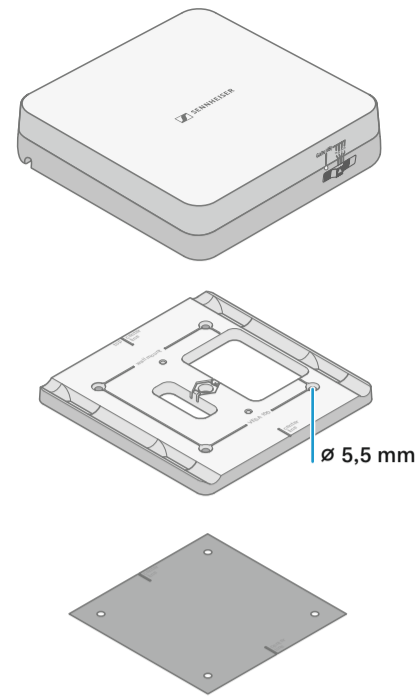
Sennheiser electronic GmbH & Co. KG

Am Labor 1, 30900 Wedemark, Germany
 www.sennheiser.com

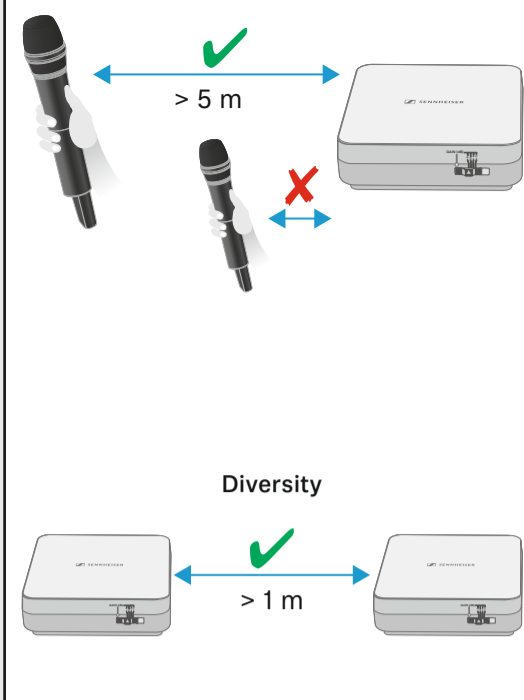
Publ. 03/23, 597234/A01

SENNHEISER

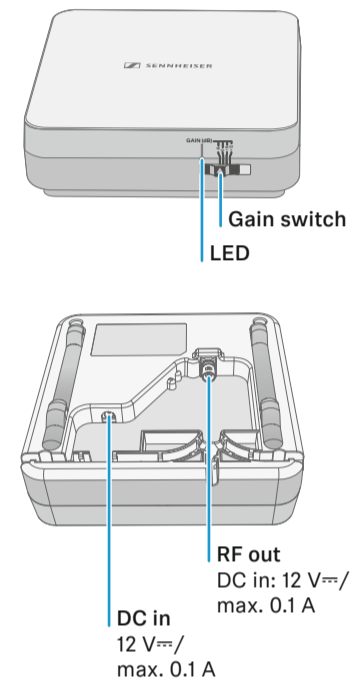
In the box



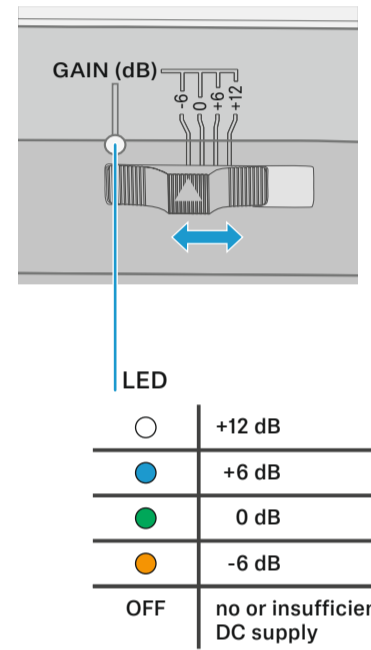
Setup



Overview

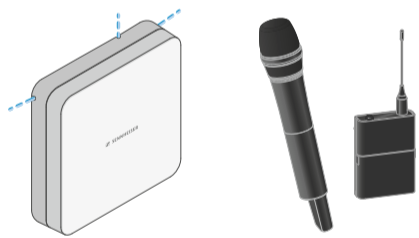


Gain

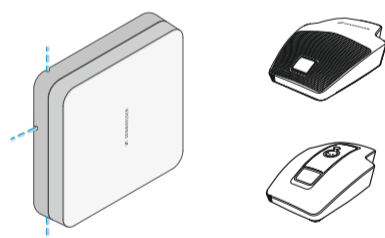


Polarization

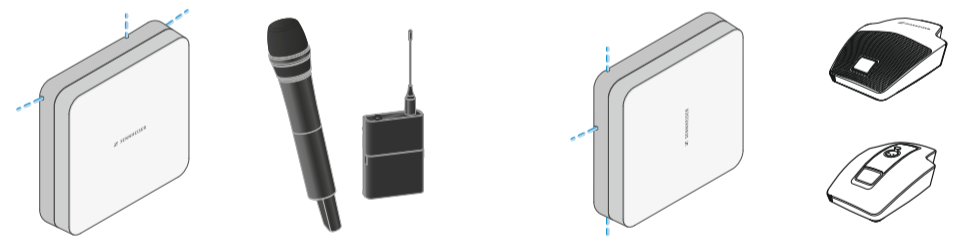
Vertical (normal orientation)
 best for handheld/bodypack



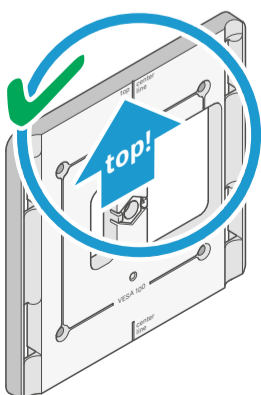
Horizontal (rotated orientation)
 best for tablestand



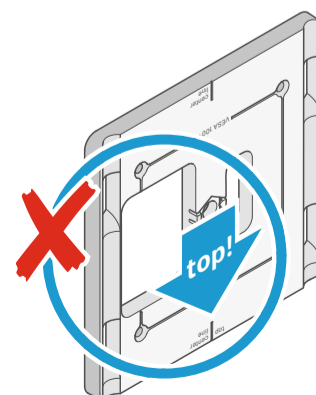
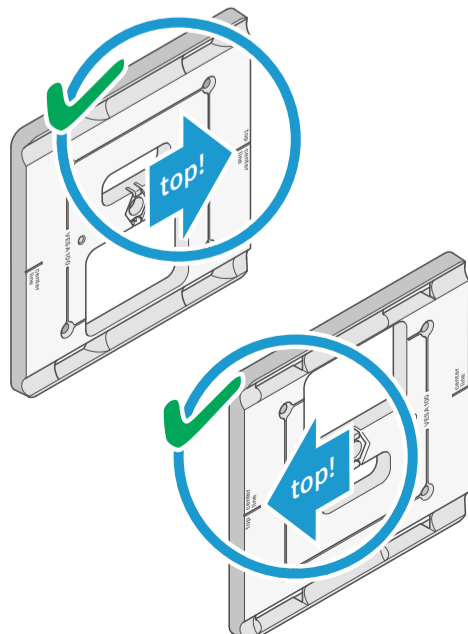
Vertical and horizontal (mixed orientation)
 best for mixed transmitter



Vertical polarization



Horizontal polarization



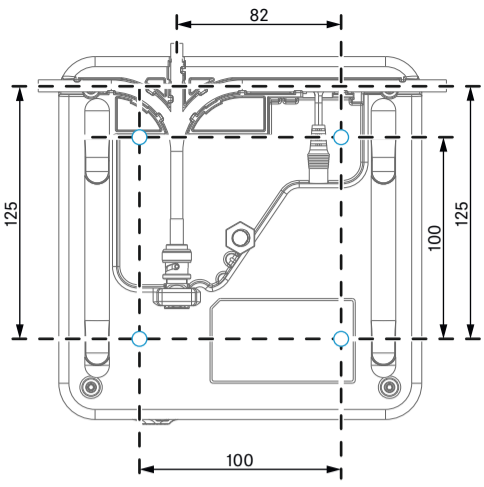
Recommended cable lengths

To ensure reliable operation, observe the following maximum antenna cable runs and set the gain accordingly:

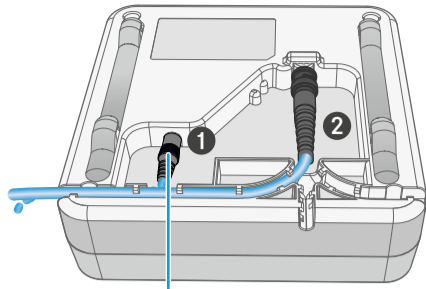
Frequency range around	Gain	Max. cable length (m)	
		RG 58	GZL RG 8x
500 MHz	-6 dB	4.5	9
	0 dB	9	18
	+6 dB	18	36
	+12 dB	36	72
700 MHz	-6 dB	3.5	7
	0 dB	7	14
	+6 dB	14	28
900 MHz	+12 dB	28	56
	-6 dB	3	6
	0 dB	6	12
1800 MHz	+6 dB	12	24
	+12 dB	24	48
	-6 dB	2	4
	0 dB	4	8
1800 MHz	+6 dB	8	16
	+12 dB	16	32

Cable Routing

Drill plan / cable positioning



OR

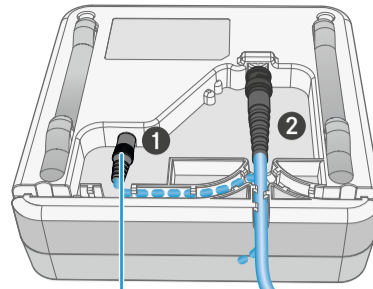


DC in optional
(if no DC via coax)

RF cable* inside antenna:
length >205 mm
Ø <6 mm

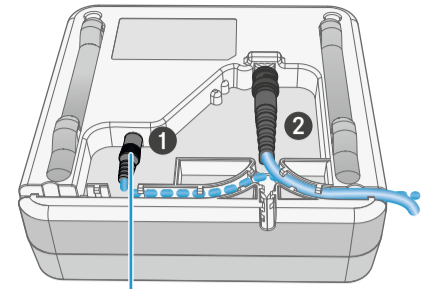
*not included

OR



DC in optional
(if no DC via coax)

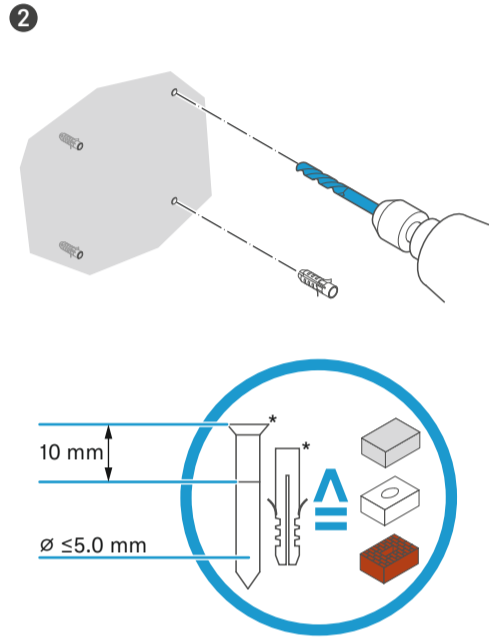
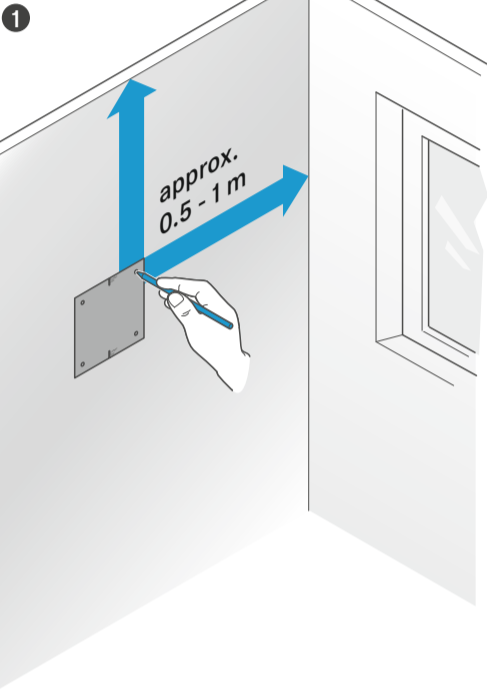
RF cable* inside antenna:
length >110 mm
Ø <6 mm



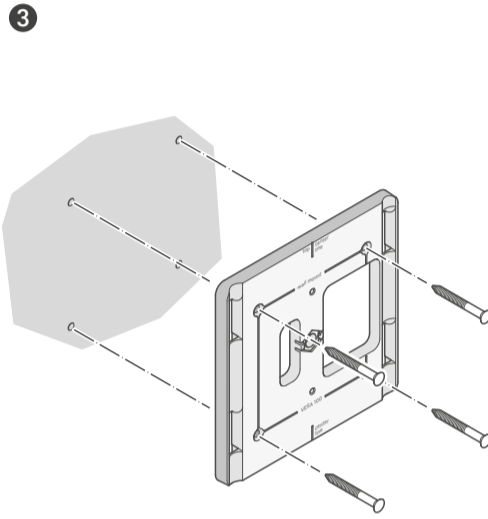
DC in optional
(if no DC via coax)

RF cable* inside antenna:
length >140 mm
Ø <6 mm

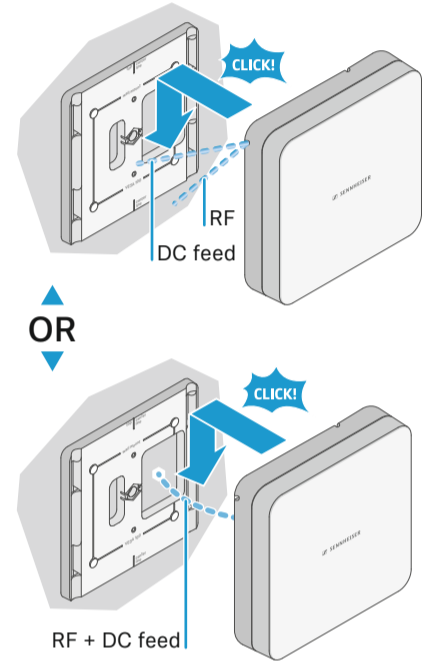
Wall



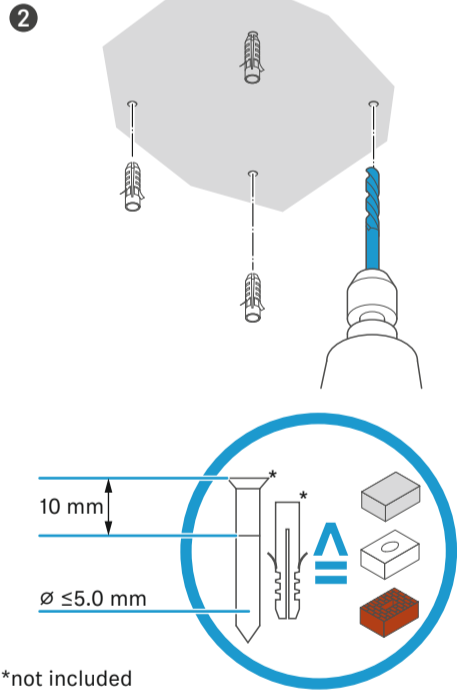
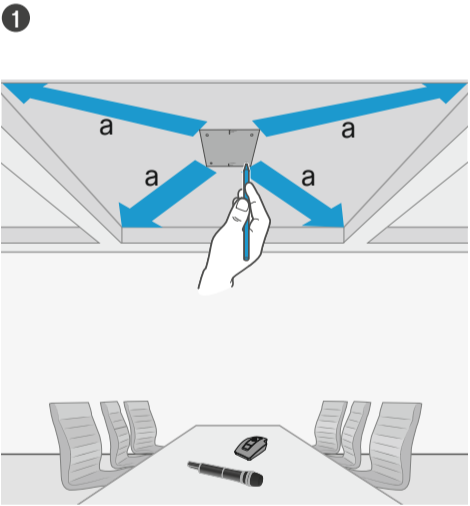
*not included



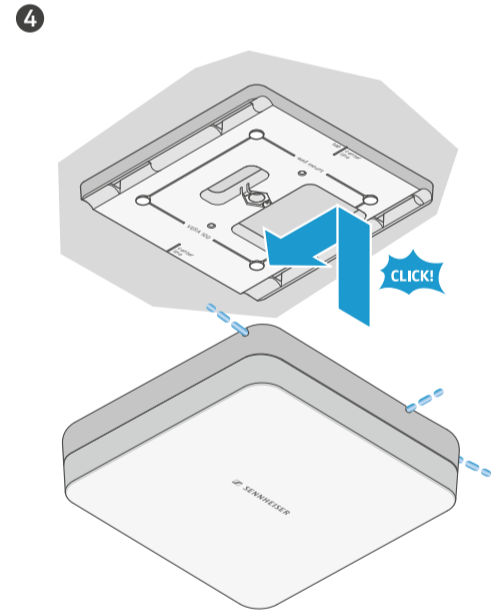
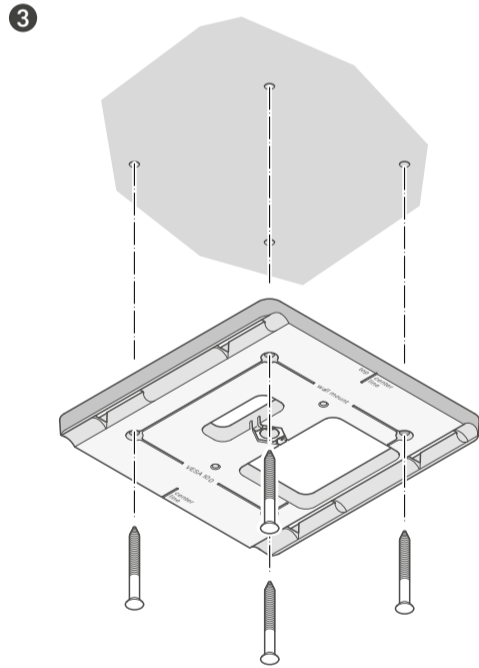
4 Example for vertical polarization



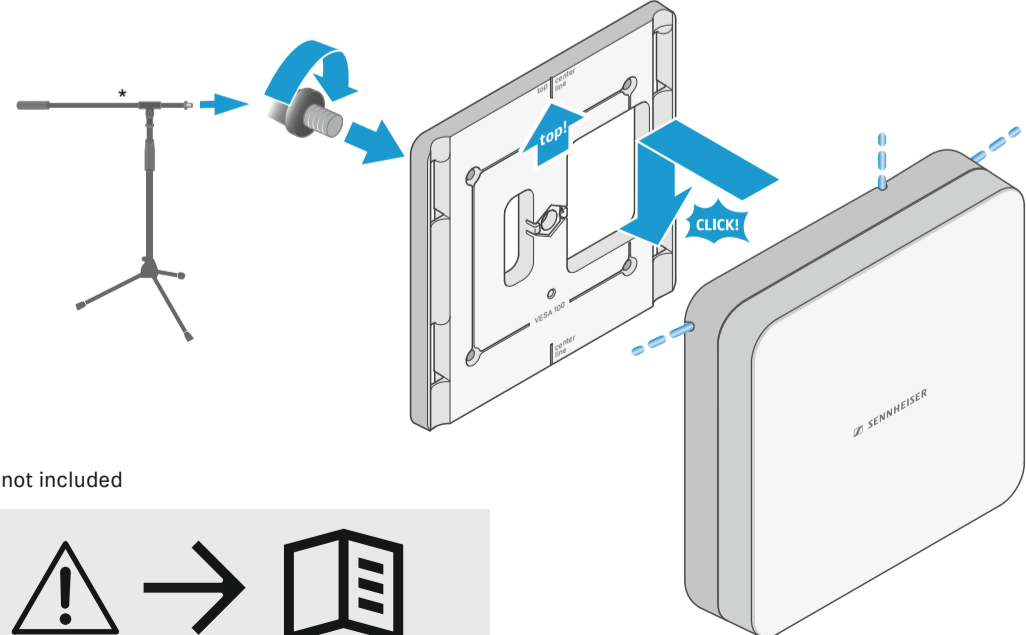
Ceiling



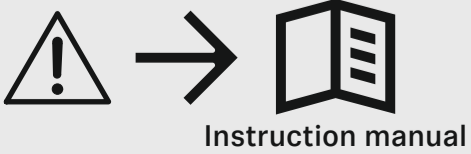
*not included



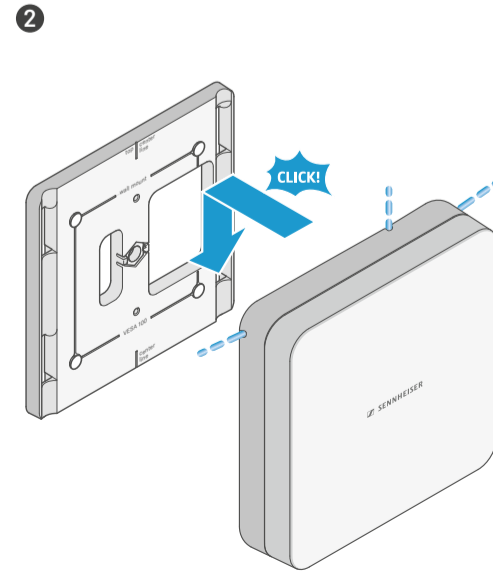
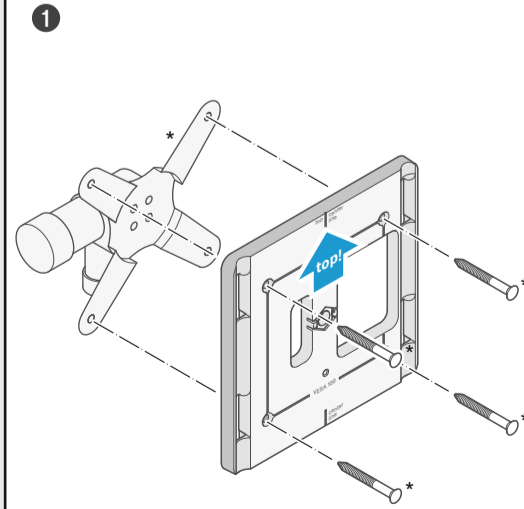
Tripod* / Mic Stand*



*not included



VESA 100*



*not included
VESA 100 holder can affect the RF reception