

# AIRMATE-12-USB

PRODUCTION | ON-AIR CONSOLE



**W**e designed the Airmate-12-USB to fulfil the requirements for a broadcast mixer with more channels than our 8 fader AIRMATE-USB. Built around well proven low noise circuitry, this console is the reliable workhorse for the self-op production D.J. that needs an internal Telephone Hybrid or VoIP connection (2x) and 2x USB connections to the PC (e.g. for streaming to the web). A heavy duty RF shielded chassis houses 12 vertical triple input modules with smooth running K-ALPS faders with fader starts. It has ten Mic/Line input channels with eight inserts for processing with extremely high quality low noise balanced microphone inputs on XLR and two stereo line level inputs on Cinch (RCA). And... every line level B input can be converted into a phono (gramophone) channel by simply fitting an optional stereo R.I.A.A. equalized phono pre-amp on the pcb.

## MIC, LINE, USB AND PHONE IN-OUTPUTS

This new Airmate-USB 12 channel model has 8 balanced mic inputs (including +48 phantom) with inserts for signal processors, 16 stereo line inputs, 2x USB and 2x Telephone Hybrids. (VoIP channels are optional) Channel 9 and 10 have Mic/Line and an USB interface to transfer audio from and to your PC.

Channel 11 and 12 have, apart from the stereo line input, also RJ-11 connectors to interface with a POT line and a phone handset. High quality built in Hybrids with R and C balance and direct Talk back to the Hybrid channels make conversation with listeners very easy. The front panel ON switch is wired in series with the built in mechanical faderstart, enabling selection of start either by fader or hard start via the ON switch possible. Faderstart generates in the "Mic mode" a Mic-on signalling to switch external on ON-Air lights. There is a 3 band Equalizer on channel 1-10. The stereo Aux send can be set pre or post fader and all mic inputs have low cut jumpers. A clean feed send in the master is available for our external GSM Hybrid.

## MASTER SECTION DESIGNED FOR RADIO

The Airmate-12-USB has the usual master controls such as stereo master faders, stereo Aux send and return, monitor master with "follow phones" and a phones output with a clever split control function. There is a balance control to continuously adjust the volume between the main output and the stereo Cue signal.

In addition, there is a special Radio On-air/production section featuring; Self-op switching to automatically cut control room level when the DJ mic is active.

A Clean Feed output can feed an external Telephone Hybrid for talk shows and interviews in case you need more phone in channels than the two built in. A special announcer output, that normally follows the main output, can be routed to follow the main output, or any cue signal that is selected, when in the "follow phones" mode.

A large Talkback switch activates the built-in talkback microphone for easy communication with the Clean-feed output, Aux output and/or Announcer output.



**NOW IS THE TIME TO INSTALL YOUR OWN ON-AIR | PRODUCTION ROOM | WEBRADIO**

The Airmate-12-USB is designed to be the focal point for local radio production work in your studio or at home. It's comprehensive, yet understandable features makes it the ideal companion for rapid on-the-spot radio programs.

Complete, reliable and in Drop Through mounting it is ideal for production rooms. It is the ideal tool for studios that have many guest and possibly live music in their shows with up to 10 Mic channels available.



**SUMMARY**

We hope this brief overview has given you a good insight into the potential of this new Airmate-12 USB production/on-air console. If you require further information please do not hesitate to contact one of our offices or your local dealer who will be pleased to assist you. Look at our website [www.d-r.nl](http://www.d-r.nl) for distributor details.

**SPECIFICATIONS**

**INPUTS**

- Mic inp** : balanced 2kOhm, XLR
- Phantom** : +48 volt
- Noise** : - 128 dBr (A-weighted)
- Sensitivity** : - 70dB min, OdB max
- Insert** : Jack unbal. -10dBV
- Return** : unbalanced 10kOhm -10dBV
- Line input** : unbal., 10kOhm, Cinch
- Gain** : 40dB range with jumper for 20dB or 40dB extra gain
- Phono inp** : unbal. 47kOhm, 5 mV
- USB** : 2x Stereo in + 2x stereo out
- 2 Track return** : - 10 dBv at 10kOhm stereo
- Aux returns** : - 10 dBv at 10kOhm stereo

**USB**

Fully compliant with USB 2.0 playback and record mode. 2x Stereo in and 2x main stereo left right signal out on both USB connectors  
HID Functions: Volume/Mute

**TELEPHONE HYBRIDS**

RJ-11 connectors for phone line/dialler  
Mix Minus rejection @1kHz -30dB  
VoIP channels are optional

**OUTPUTS**

- Left/Right : + 4 dBu bal. XLR
- Monitor/Aux : + 4dBu unbal. on Cinch
- Cleanfeed/Announcer: + 4dBu, Jacks
- Tape output : -10dBv, unbal. Cinch
- Headphone : 16-600 Ohm, Jack
- Announcer : 16-600 Ohm, Jack
- USB out : Main program signal

**EQUALIZER**

- High : + / -12 dB at 12kHz shelving
- Mid : + / -12 dB at 1 kHz bell curve
- Low : + / -12 dB at 60 Hz bell curve

**OVERALL**

- Frequency response: 10 - 60.000Hz
- Distortion: < 0.009% max at 1 kHz
- Start switch: Opto coupler
- Ledbars: 21 segment
- Mains input range: 100 volt up to 240volt
- Power consumption: 35VA

**OPTIONS**

Optional: AES-3 digital Program outputs.



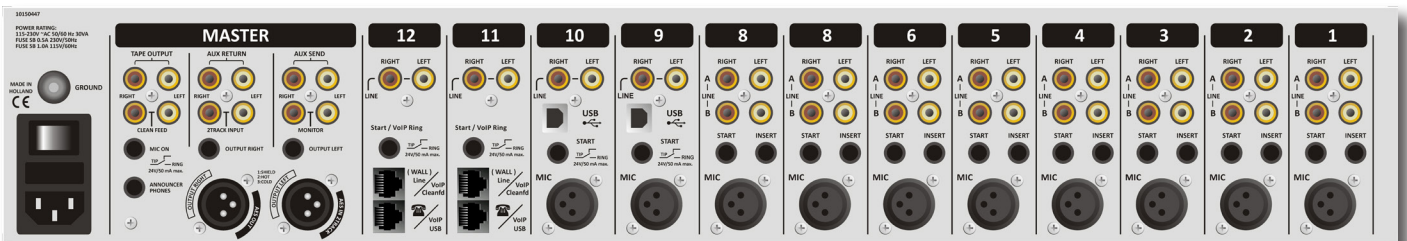
**DIMENSIONS**

- Left-Right (622mm width)
- Front-Back: 356mm (8HE).
- Height: 95mm.
- Space below front panel: 20mm for table top.
- Weight: 14 kg.
- For Drop through mounting cut a hole of 590 x 325 mm (console height is 95mm)

**HEADOFFICE**

D&R Electronica b.v.  
Rijnkade 15b  
1382 GS WEESP  
Netherlands

Phone: +31 (0)294-418 014  
Website : [www.d-r.nl](http://www.d-r.nl)  
E-mail: [mail@d-r.nl](mailto:mail@d-r.nl)



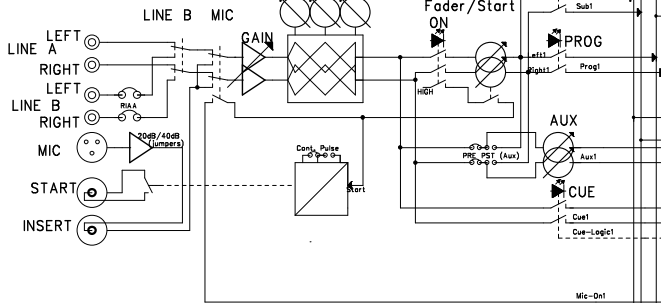
12 channel back panel

**feels good** does more

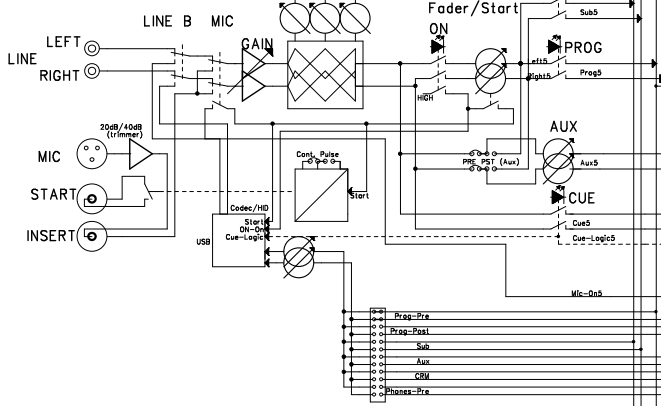
D&R Electronica BV, rijnkade 15b, 1382GS, Weesp, Netherlands  
Phone: +31 (0) 294-418014, website [www.dnrbroadcast.com](http://www.dnrbroadcast.com) | mail: [sales@d-r.nl](mailto:sales@d-r.nl),

# BLOCK DIAGRAM OF SIGNAL FLOW

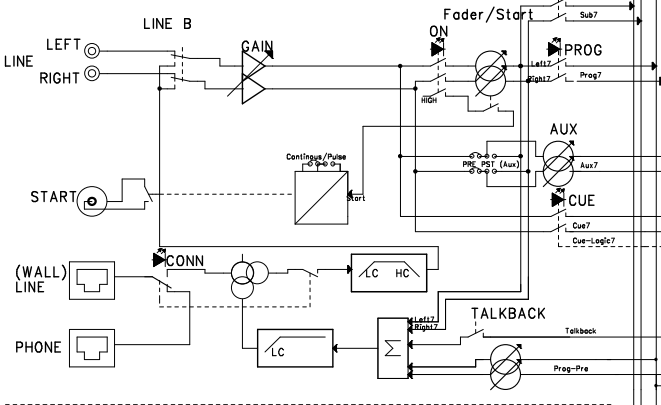
## TRIPLE INPUT MODULE



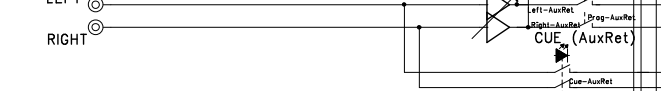
## USB-LINE MODULE



## TELCO-LINE MODULE



## AUX RETURN



## 2TRACK INPUT

