



## APPLICATIONS

- Bars and restaurants
- Hotels, ballrooms and casinos
- Shopping malls and retail environments
- Health and fitness clubs
- Houses of worship
- Corporate meeting rooms
- Airports, convention centers and exhibit halls

## FEATURES

- Stylish, contoured contemporary pendant design
- Same components and voicing as the Distributed Design ceiling and surface mount loudspeaker family
- Consistent, wide dispersion up to 16 kHz
- True coaxial loudspeakers with HF compression drivers
- Tru-Phase™ high-frequency waveguide
- Patented Carbon Ring Cone Technology™
- High efficiency, high output, high intelligibility, low distortion
- Paintable enclosure constructed of high-impact ABS plastic to reduce resonances
- Easy-access power tap switch for selectable 8 ohm or 70V/100V operation
- Integrated rear cover hiding all wires and hanging hardware
- Weather-resistant construction with treated drivers and two-layer powder coated grilles
- ETL listed to comply with UL1480
- Available in standard black or white finishes
- Five-year warranty

The **D SERIES Distributed Design DP8** is a high performance 8-inch pendant loudspeaker designed for open architecture spaces or any location where a stylish pendant form factor is desired. Featuring high power handling, high sensitivity and realistic sound reproduction, the DP8 can be used in a wide variety of speech and music applications. It is equipped with a built-in autoformer, allowing the full loudspeaker output to be realized with 70V or 100V distribution lines.

**Uniform voicing** means that the DP8 can be combined with other D SERIES ceiling and surface mount models without compromising consistency from zone to zone. The genuine coaxial design uses separate magnets for the LF and HF drivers for reduced distortion and industry-leading sensitivity, thereby permitting 3 dB to 6 dB greater output level while requiring half the amplification power of competing products. The proprietary **Tru-Phase™** waveguide and perfectly centered driver produce a consistently wide conical polar response up to 16 kHz. Community's patented **Carbon Ring Cone Technology™** increases the effective cone area to further reduce distortion while reinforcing the cone for improved durability.

An easy-access selector switch is conveniently located on the face of the loudspeaker for selectable 8 ohm or 70V/100V operation, while an integrated rear cover hides all wiring and hanging hardware for an aesthetically pleasing installation. Two 15-foot (4.5m) long 2mm (0.77") high tensile galvanized steel wire rope suspension cables with integrated spring clips for attaching the cable to the enclosure are included, along with Gripple® brand adjustable height cable fasteners. Optional accessories include 30ft (9.1m) and 50ft (15.2m) hang kits, a replacement Gripple® speed clamp and trimmable 14ft (4.3m) decorative split loom tubing.

The powerful and versatile D SERIES **DP8** provides high quality paging and musical performance suitable for retail environments, restaurants, resorts, and numerous other applications where the importance of sonic quality cannot be ignored.

Exceptionally Even Coverage | Stunning Sound Quality | Rapid Installation

# Distributed Design

# D SERIES

# DP8

TWO-WAY 8-INCH HIGH OUTPUT  
PENDANT MOUNT LOUDSPEAKER

## Distributed Design



## SPECIFICATIONS

<b>Loudspeaker Type:</b>	Two-way, full-range, coaxial pendant mount loudspeaker, 8 ohm or 70V/100V operation	
<b>Operating Range:</b>	60 Hz - 22 kHz	
<b>Frequency Response:</b>	80 Hz - 20 kHz (± 5dB)	
<b>Max Input Ratings (8 ohm):</b>	150W continuous, 375W program 34.6 volts RMS, 69.3 volts momentary peak	
<b>Transformer Taps - 70V:</b>	120W, 60W, 30W, 15W and low impedance	
<b>100V:</b>	120W, 60W, 30W	
<b>Distortion - 10% Full Power:</b>	2nd Harmonic	3rd Harmonic
500 Hz	1.28%	1.14%
2 kHz	0.45%	0.23%
8 kHz	2.52%	0.02%
<b>Sensitivity (1W/1m):</b>	95 dB SPL (120 Hz to 12.5 kHz 1/3 octave bands) 94 dB SPL (250 Hz to 4 kHz speech range)	
<b>Maximum Output:</b>	117 dB SPL / 123 dB SPL (peak 8 ohm)	
<b>Nominal Impedance:</b>	8 ohms	
<b>Minimum Impedance:</b>	5.6 ohms @ 200 Hz	
<b>Nominal Coverage:</b>	100° conical (1 kHz to 6 kHz) 115° conical (500 Hz to 6 kHz)	
<b>Axial Q / DI:</b>	6.4 / 8, 500 Hz to 6 kHz	
<b>Crossover Frequency:</b>	1.3 kHz	
<b>Recommended High Pass Filter:</b>	60 Hz / 24dB octave	
<b>Drivers:</b>	LF 1 x 8-inch HF 1 x 1.25-inch exit compression driver	
<b>Driver Protection:</b>	Self-resetting solid state circuit breaker	
<b>Input Connection:</b>	Two 2-position Euroblock connectors	
<b>Controls:</b>	Front-face wattage / low impedance selector switch	
<b>Enclosure:</b>	UL 94V-0 rated ABS plastic, matte finish, paintable	
<b>Finish:</b>	Black or white	
<b>Mounting/Rigging Provisions:</b>	Two PHK-15 pendant hang kits (one for main suspension and one as a safety cable), each including 15ft (4.5m) long 2mm (0.77") high tensile galvanized steel wire rope suspension cables with integrated spring clips for attaching the cable to the loudspeaker bracket and Gripple® brand adjustable height cable fasteners.	
<b>Grille:</b>	Powder coated steel with safety line, black or white finish, paintable	
<b>Baffle:</b>	Reflex loaded UL 94V-0 rated ABS	
<b>Safety Features:</b>	Included safety cable. Each cable has an SWL of 99 lbs (45 kg).	
<b>Safety Agency Ratings:</b>	ETL listed to comply with UL1480 and CSA60065. Suspension system and Gripple® brand cable fastener listed per UL1598 and UL2239, TUV and CSA Class 3426-01 and Class 3426-81.	
<b>Required Accessories:</b>	Electronic high pass filter	
<b>Supplied Accessories:</b>	Two <b>PHK-15</b> pendant hang kits Enclosure ABS plastic rear cover Rear cover ingress weather plug	
<b>Optional Accessories:</b>	<b>PHK-30</b> 30ft (9.1m) pendant hang kit <b>PHK-50</b> 50ft (15.2m) pendant hang kit <b>PSC</b> replacement Gripple® speed clamp <b>PST-14</b> trimmable 14ft (4.3m) decorative split loom tubing	
<b>Dimensions - Height:</b>	17.720 inches (450.1 mm) enclosure	
<b>Diameter:</b>	13.406 inches (340.5 mm) face diameter	
<b>Weight:</b>	16.5 lbs (7.5 kg) includes cables and Gripples	

### NOTE:

1. Watts: All wattage figures are calculated using the rated impedance.

# D SERIES

# DP8

TWO-WAY 8-INCH HIGH OUTPUT  
PENDANT MOUNT LOUDSPEAKER

## Distributed Design



Ceiling Mount



Surface Mount

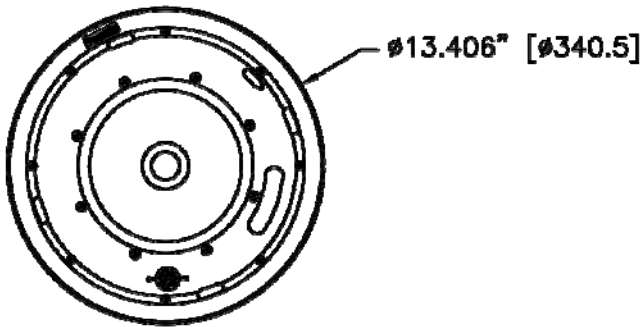
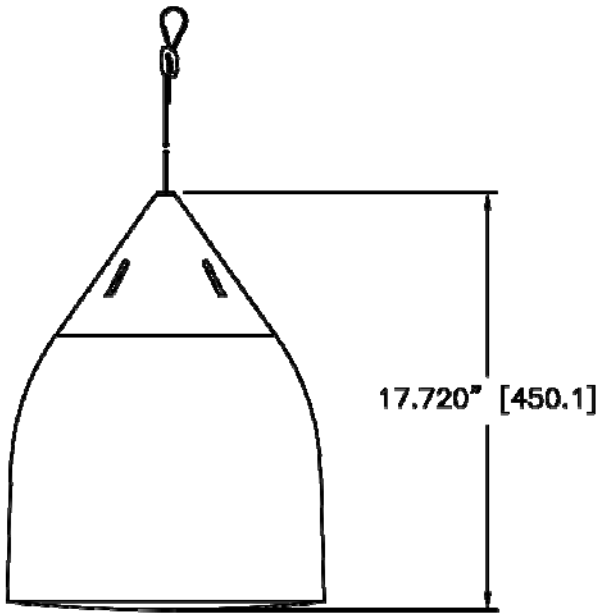
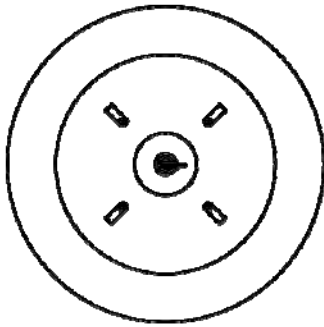


Pendant Mount

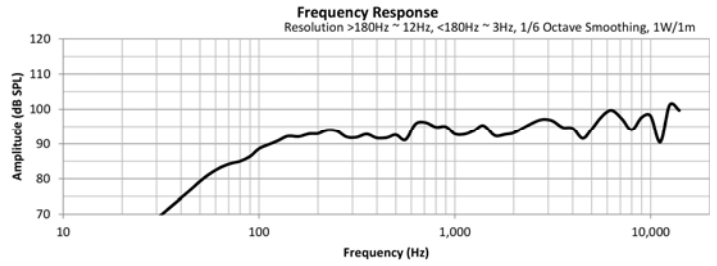


Architectural

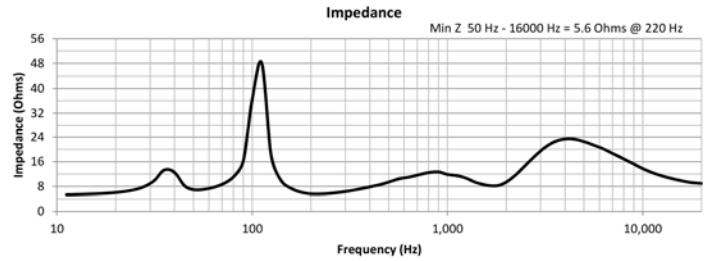
## DIMENSIONAL DRAWING



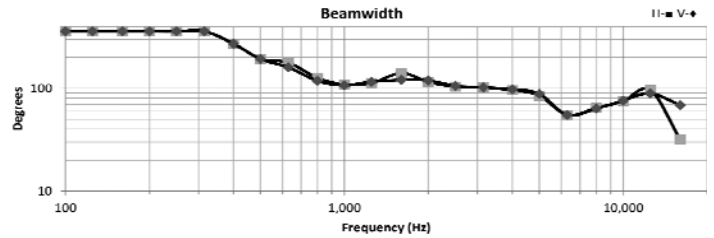
## FREQUENCY RESPONSE



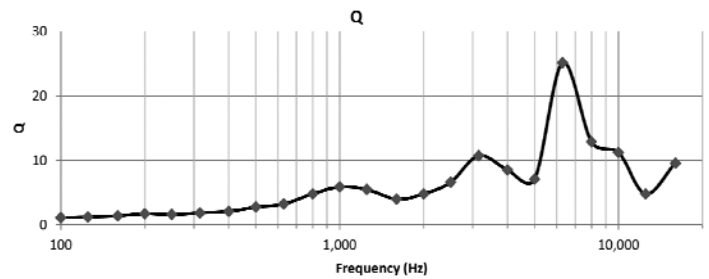
## IMPEDANCE



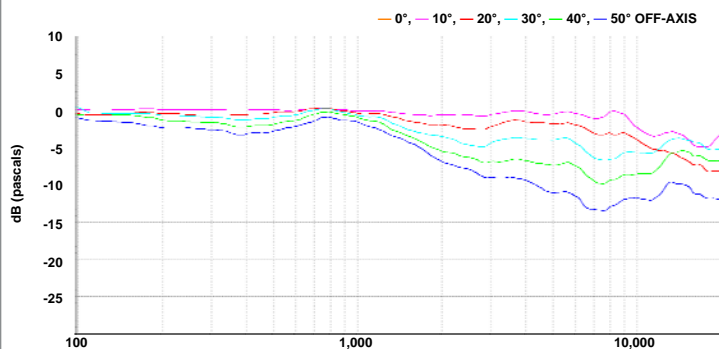
## BEAMWIDTH



## AXIAL Q



## DISPERSION DEVIATION



## ARCHITECTURAL SPECIFICATIONS

The loudspeaker system shall be a two-way, full-range ceiling mount system with a 8-inch low frequency transducer with patented Carbon Ring Cone Technology™ and a coaxially mounted 1.25-inch exit high frequency compression driver. The drivers shall be connected to an integral crossover with a crossover frequency of 1.3 kHz, with a self-resetting solid state circuit breaker for driver protection.

The system shall have an amplitude response of 80 Hz to 20 kHz ( $\pm 5$  dB) and a low impedance (8 ohm) input capability of 28V RMS. The sensitivity at 1W/1m shall be 95 dB (120 Hz to 12.5 kHz) and 94 dB (250 Hz to 4 kHz) free space SPL. The loudspeaker system shall have a conical coverage pattern of 115 degrees from 500 Hz to 6 kHz. The nominal system impedance shall be 8 ohms (in low impedance setting).

The loudspeaker enclosure and loudspeaker baffle shall be paintable and constructed of UL 94V-0 rated ABS plastic. A paintable steel grille with a durable powder-coat finish shall be included.

The system shall be equipped with a 120W high performance autoformer for use in 70V or 100V distributed audio systems, with 120W, 60W, 30W, and 15W taps available in 70V distributed systems (120W, 60W, and 30W taps available in 100V distributed systems). An easily accessible front-face tap selector switch located on the front baffle, which is concealed by the removable grille, shall be available for selecting autoformer and low impedance settings.

Two 15ft (4.5m) long 2mm (0.77") high tensile galvanized steel wire rope suspension cables shall be included, one for main suspension and one as a safety cable, along with Gripple® brand adjustable height cable fasteners. Integrated spring clips shall attach the cable to the loudspeaker bracket. An integrated rear cover shall be available to hide wiring and hanging hardware.

The loudspeaker system shall have a diameter of 13.406 inches (340.5 mm) and an enclosure height of 17.720 inches (450.1 mm). It shall weigh 16.5 lbs (7.5 kg).

The system shall be ETL listed to comply with UL1480 and CSA60065.