

SPECIFICATIONS

Loudspeaker Type:	Two-way, column array loudspeaker, 8 ohm or 70V/100V operation
Operating Range:	80 Hz - 22 kHz (-10 dB)
Frequency Response:	130 Hz to 20 kHz (-3 dB)
Max Input Ratings (8 ohm):	500W continuous, 1000W program 63 volts RMS, 126 volts momentary peak
Autoformer Taps—70V:	120W, 60W, 30W, 15W, 7.5W
100V:	120W, 60W, 30W, 15W
Sensitivity (1W/1m):	97dB (130 Hz - 20 kHz) full space
Maximum Output:	124 dB SPL / 130 dB SPL (peak)
Nominal Impedance:	8 ohms
Minimum Impedance:	5.6 ohms @ 320 Hz
Vertical Coverage:	15° (2 kHz - 16 kHz ±15°) @ 13m
Horizontal Coverage:	140° average (1 kHz - 10 kHz ±20°)
Crossover Frequency:	5000 Hz
Recommended Signal Processing:	80 Hz, 24 dB/Oct high pass filter
Drivers:	LF 20 x 80mm long excursion mylar driver HF 4 x 3-element Compact Ribbon Emulator
Driver Protection:	Dynamic protection circuitry
Input Connection:	NL4 Speakon-type connector for low impedance operation; and 8-position terminal strip for low impedance or constant voltage operation
Controls:	None
Enclosure:	Extruded, high gloss paintable PVC
Finish:	Black or white
Grille:	Powder coated aluminum, black or white finish
Safety Features:	Built-in safety eyebolt
Environmental:	Outdoor Direct Exposure Certified IP54W per IEC529 for UV, moisture and salt spray
Required Accessories:	High pass filter
Supplied Accessories:	Pan-tilt bracket accommodating zero to 9° down-tilt and +/- 55° panning; and ABS plastic rain cover with integrated cable inlet and 1" (25.4mm) knockout for conduit ingress
Optional Accessories:	E200-UMK universal mounting kit E200-SAK stand adapter kit
Dimensions—Height:	64.6 inches (1643 mm)
Width:	4.62 inches (117 mm)
Depth:	7.47 inches (189 mm)
Weight (without bracket):	41 lbs (18.6 kg)
Shipping Weight:	65 lbs (29.5 kg)

NOTES:

- Sensitivity: Free field pink noise measurement at 6ft (1.8m) at 10% power; extrapolated to 1 meter and an input of 2.83 volts RMS.
- Watts: All wattage figures are calculated using the rated nominal impedance.



APPLICATIONS

- Houses of worship
- Bars and restaurants
- Auditoria, live theaters, museums
- Airports, train stations
- Stadium concourses
- Gymnasiums, athletic facilities
- Meeting rooms and conference rooms
- Multipurpose outdoor and indoor venues

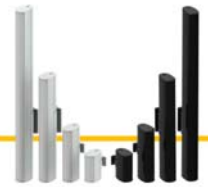
FEATURES

- Advanced passive crossover technology
- Dynamic protection circuitry
- Compact Ribbon Emulator high frequency technology for narrow, well-behaved vertical directivity control
- All-weather construction for indoor/outdoor usage
- Selectable low impedance or 70V/100V operation
- Simple installation using the included pan-tilt mounting bracket
- Tightly controlled vertical dispersion reduces harmful room reflections
- Wide horizontal dispersion means fewer units cover a given area
- Clean, clear and powerful sonic output without the cost of bi-amplification
- Available in standard black or white finishes, may also be painted to match room décor

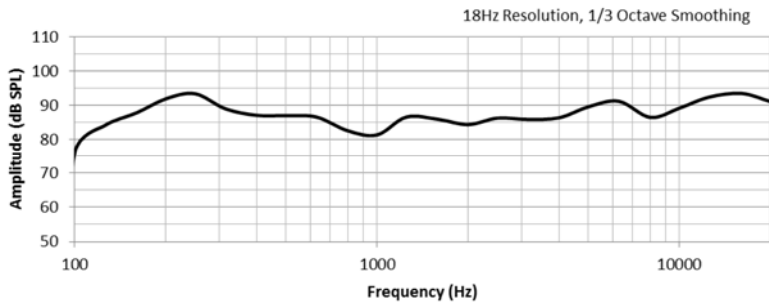
DESCRIPTION

The ENT220 is an all-weather, column line array loudspeaker housed in an attractive, heavy duty extruded PVC enclosure. The largest member of the ENTASYS 200 family, the ENT220 provides exceptional directional control in the vertical axis to tame extremely difficult acoustic environments. With enough power to cover medium and large venues, a system of well-placed ENT220 columns is capable of providing intelligibility and superb musical reproduction, while barely being visible. Noisy environments, excessive reverberation, and other sub-optimal acoustical conditions are handled effortlessly by the ENT220. Houses of worship, music venues and corporate AV presentations will benefit from the high performance and versatility of the ENT220. The ENT220 employs twenty high-power LF cone drivers and four Community CRE (Compact Ribbon Emulator) HF tweeter arrays in a single-amped configuration that employs a 5-way frequency shaded crossover.

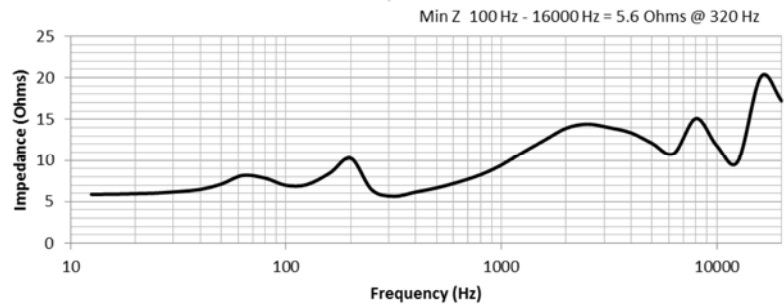
ENT220 TWO-WAY, COMPACT COLUMN ARRAY LOUDSPEAKER



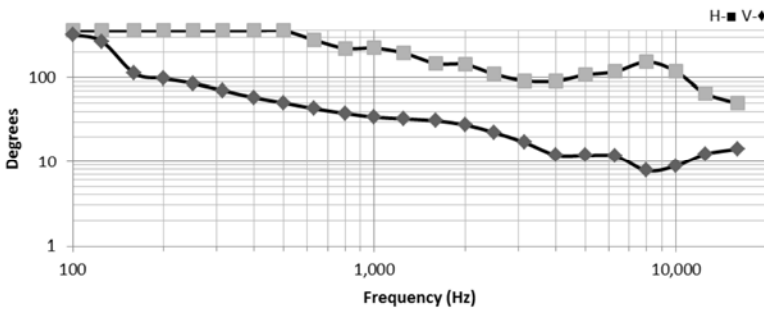
FREQUENCY RESPONSE



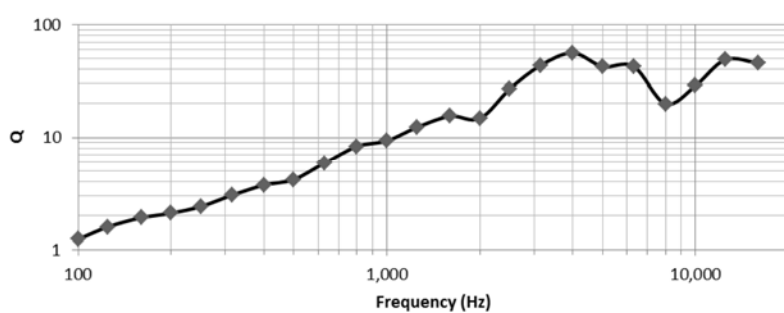
IMPEDANCE



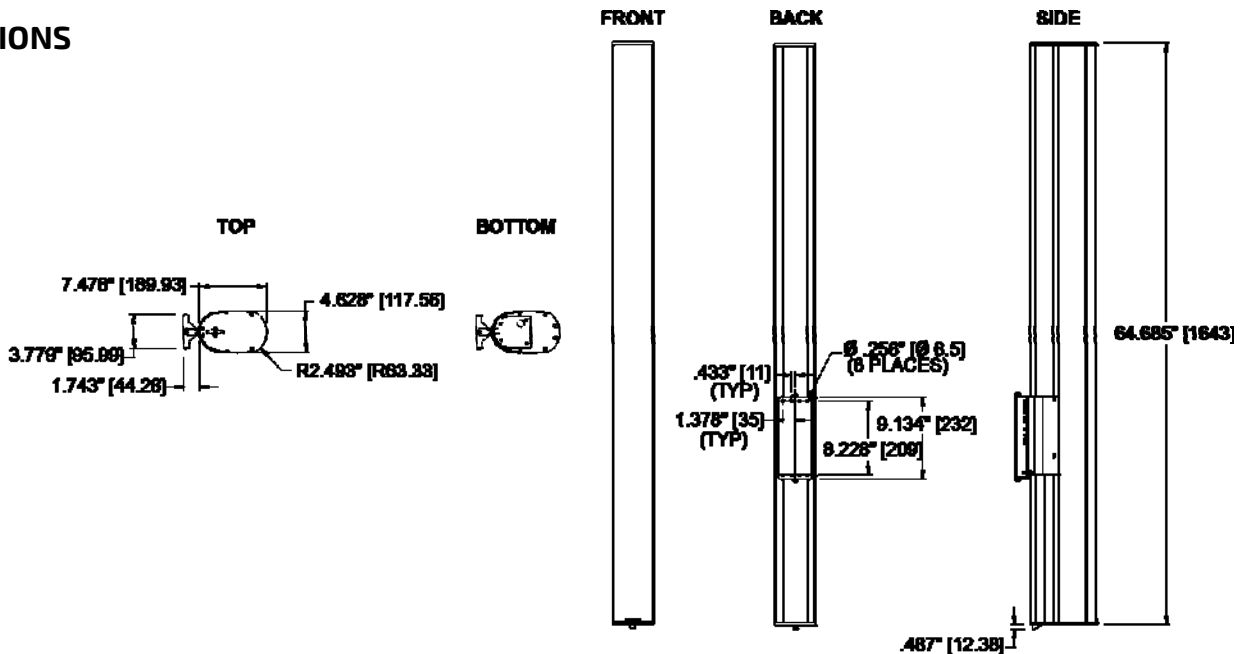
BEAMWIDTH



AXIAL Q



DIMENSIONS



ARCHITECTURAL SPECIFICATIONS

The loudspeaker system shall be a two-way, full-range column array system with twenty 80mm long excursion mylar low frequency transducers and four three-element Compact Ribbon Emulator direct-radiating high frequency transducers. The drivers shall be connected to an integral crossover employing 5-way frequency shaded circuitry, and an HF crossover frequency of 5000 Hz, with dynamic driver protection circuitry. The paintable enclosure shall be constructed of high-gloss PVC. The system shall have a frequency response of 130 Hz to 20 kHz (-3 dB) and a low impedance (8 ohm) input capability of 63V RMS. The sensitivity at 1W/1m shall be 97 dB (130 Hz to 20 kHz). The loudspeaker system shall have a vertical coverage of 15° (2 kHz - 16 kHz ±10°) @ 13m and a horizontal coverage of 140° average (1 kHz - 10 kHz ±20°). The system shall be equipped with a 120W high performance autoformer for use in 70.7V or 100V distributed audio systems, with 120W, 60W, 30W, 15W and 7.5W taps available in 70.7V distributed systems (120W, 60W, 30W and 15W taps available in 100V distributed systems). Dimensions shall be 64.6 inches (1643 mm) high, 4.62 inches (117 mm) wide and 7.47 inches (189 mm) deep, with a loudspeaker weight of 41 lbs (18.6 kg).

Community strives to improve its products on a continual basis. Specifications are therefore subject to change without notice.