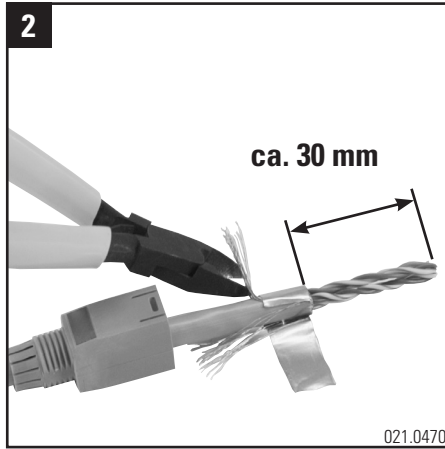
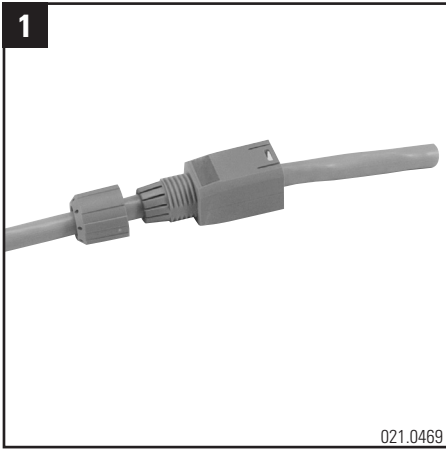
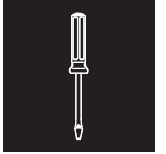


# Installationsanleitung FM45 / IP20

## Installation guide FM45 / IP20

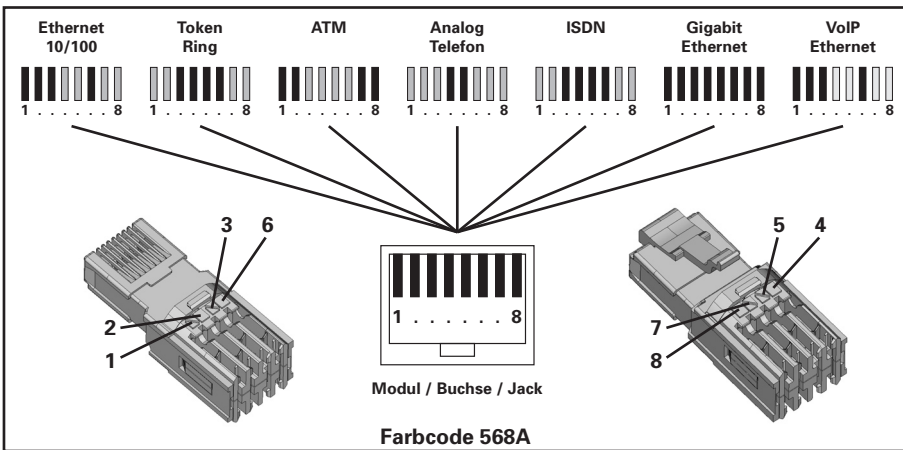
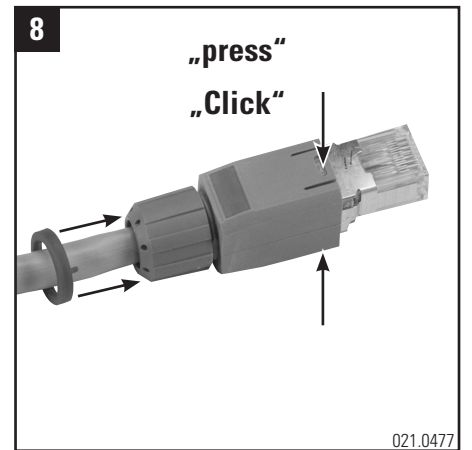
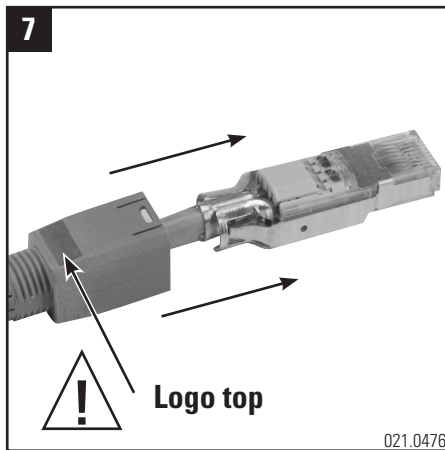
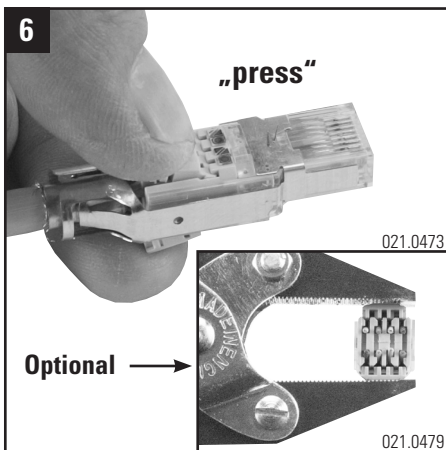
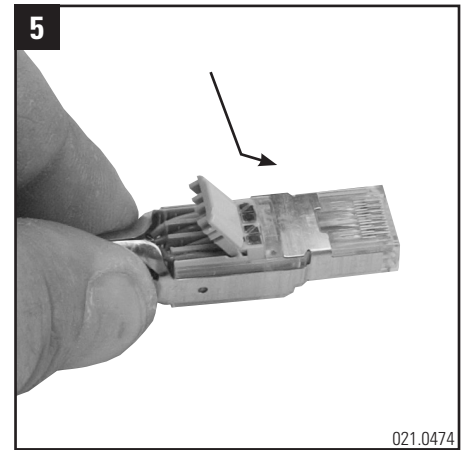
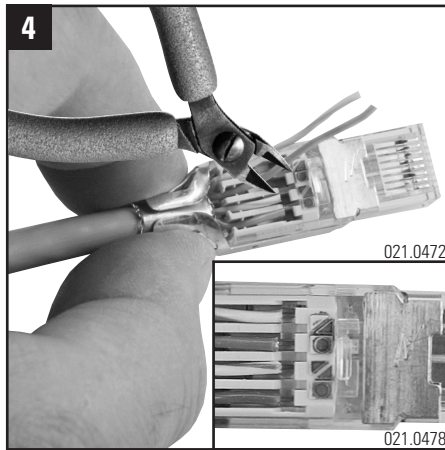
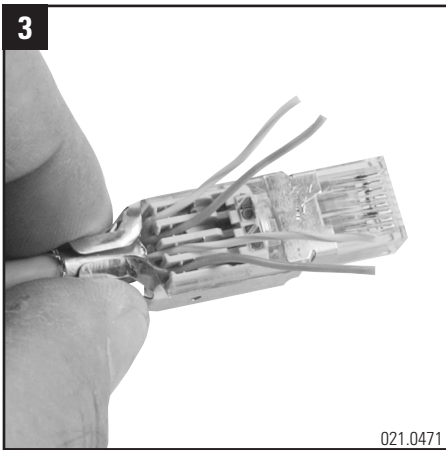
### Instructions de montage FM45 / IP20



#### Folienkabel / Foil only cables Kabel / Cable: U/FTP, F/UTP

Metallband muss Kontakt zu allen Schirmelementen des Kabels, inkl. Erddraht herstellen

Metal tape must make contact to all cable screen elements incl. Drain wire



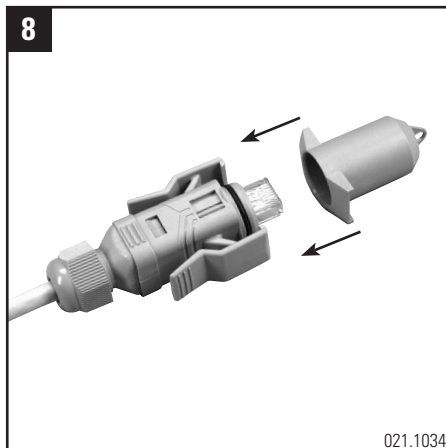
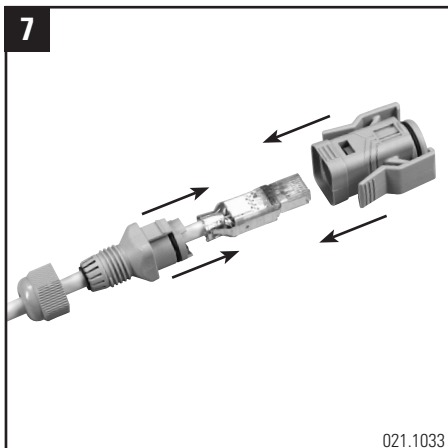
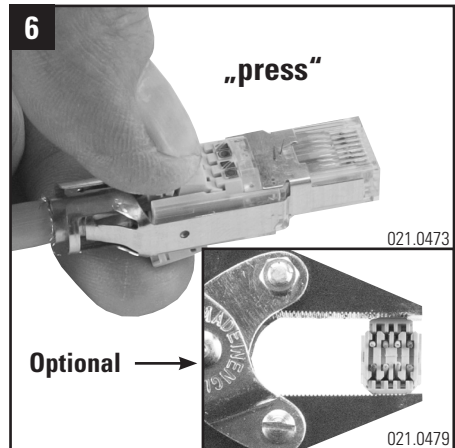
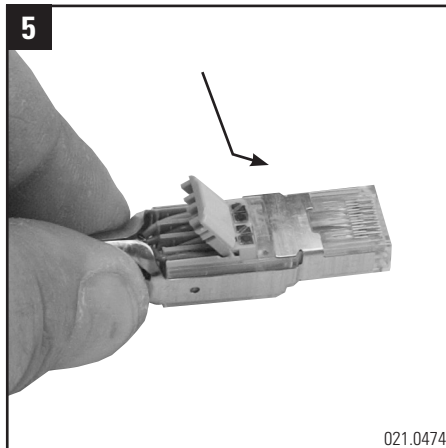
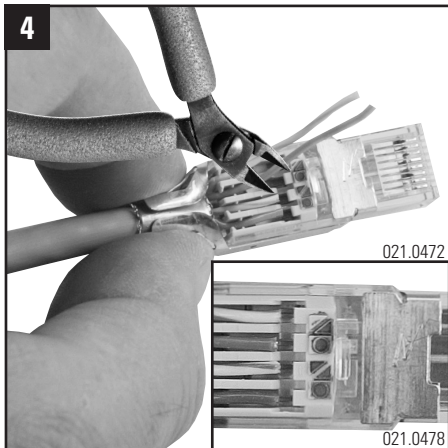
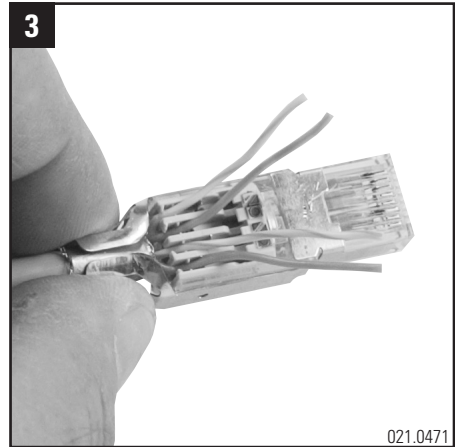
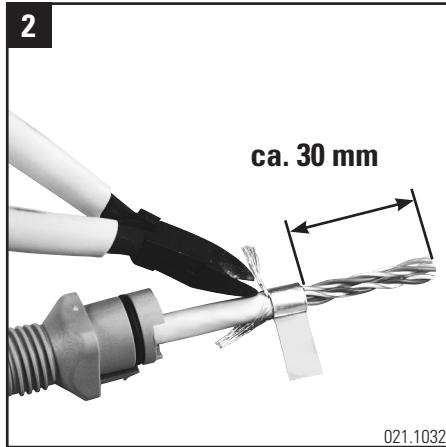
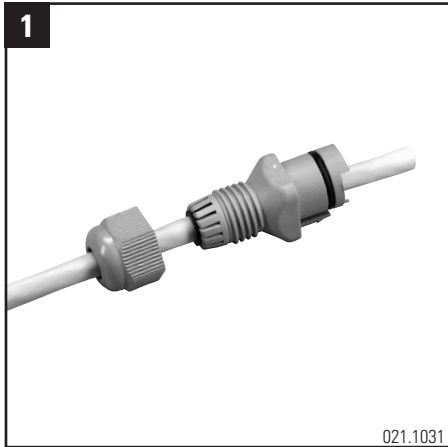
Technische Daten	
Zulässiger Draht Ø:	AWG26 - AWG23
Zulässiger Litzen Ø:	AWG26 - AWG23
Zulässiger Isolations Ø:	maximal - 1.6 mm
Kabelmantel Ø:	4.5 - 8.0 mm

Technical Data	
Admissible Wire Ø:	AWG26 - AWG23
Admissible Flex Wire Ø:	AWG26 - AWG23
Admissible insulation Ø:	maximal - 1.6 mm
Cable Jacket Ø:	4.5 - 8.0 mm

# Installationsanleitung FM45 / IP67

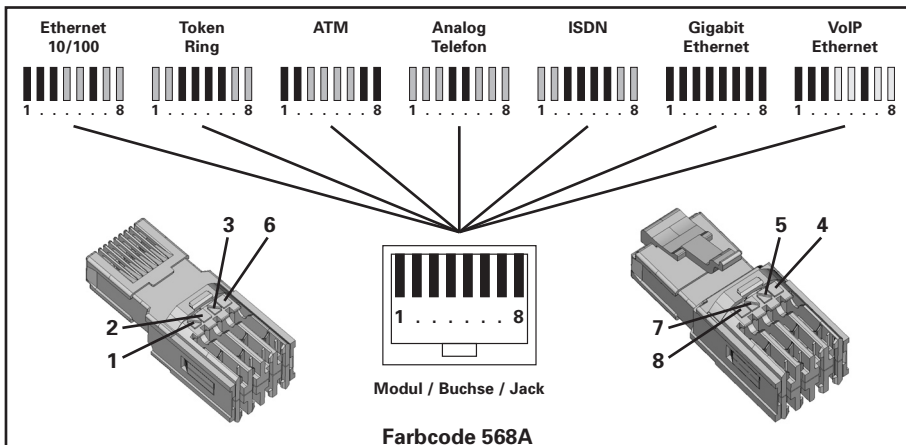
## Installation guide FM45 / IP67

### Instructions de montage FM45 / IP67



Technische Daten	
Zulässiger Draht Ø:	AWG26 - AWG23
Zulässiger Litzen Ø:	AWG26 - AWG23
Zulässiger Isolations Ø:	maximal - 1.6 mm
Kabelmantel Ø:	4.5 - 8.0 mm

Technical Data	
Admissible Wire Ø:	AWG26 - AWG23
Admissible Flex Wire Ø:	AWG26 - AWG23
Admissible insulation Ø:	maximal - 1.6 mm
Cable Jacket Ø:	4.5 - 8.0 mm



### Headquarters

**Switzerland**  
 Reichle & De-Massari AG  
 Binzstrasse 31  
 CHE-8620 Wetzikon  
 Telephone HQ +41 (0)44 933 81 11  
 Telefax HQ +41 (0)44 930 49 41  
 E-Mail info@rdm.ch

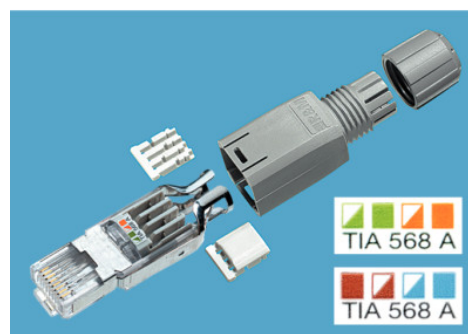
www.rdm.com



- Field terminated RJ45 connector
- Termination of unshielded cable (UTP)
- Termination of shielded cable (STP)
- Approved for solid and stranded wire AWG 26 to AWG 22
- Visual colour coding clip

Standards for the FM45 transmission characteristics

- IEC 60603-7 RJ45 Category 5 ISO/IEC 11801
- IEC 60603-7-3, EN 50173, EIA/TIA 568B



**Mechanical Data**

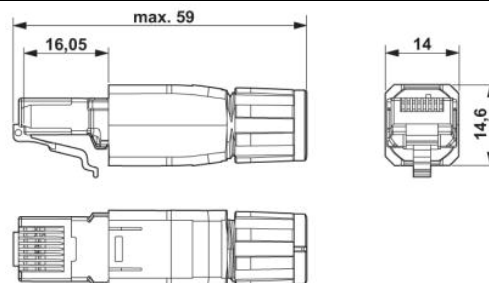
**Electrical Data**

Number of wire	8	Contact resistance (solid wire – IDC)	< 1 mΩ
Contact material	Bronze (CuSn6)	Contact resistance (stranded wire – IDC)	< 5 mΩ
Contact surface	> 1.2 μm gold over 1.2 μm nickel	Contact resistance Signal contacts and screen (plug-jack)	< 20 mΩ
Insulation material connector	Polycarbonate (UL-94-V-0)	Input-output resistance (plug only)	< 100 mΩ
Mating cycles	min. > 100	Insulation resistance (100 V) > 1 GΩ	
Connection type	IDC/Insulation displacement contact according IEC 60352-4	Dielectric strength (contact-contact)	> 1000 V DC
Surface treatment	IDC tin-plated approx. 5 μm	Dielectric strength (shield-contact)	> 1500 V DC, 1min.
Ambient temperature (operation)	-20 °C ... 70 °C	Nominal current	1.75 A 20°C
Degree of protection	IP20	Surge voltage category	1
		Pollution degree	2

**Technical Data**

**Application and Certification**

Approved solid wire Ø	0.4 mm – 0.54 mm (AWG 26 – AWG 23) * 0.64 mm (AWG 22)	Mechanical, electrical and transmission technical characteristics (measured at 20°C)
Approved stranded wire Ø	0.12 mm <sup>2</sup> - 0.32 mm <sup>2</sup> (AWG 26/7 – AWG 22/7)	* Cable construction dependent
Approved insulation cable Ø	max. 1.60 mm	
Cable jacket Ø	4.5 mm – 8.0 mm	
Cable strain relief	> 50 N	
Shield jacket material	Brass (CuZn) hot-dip galvanized, 3 μm	
Wiring	In pairs (no splitting)	
Tin plating	Lead free	
Housing material	PA UL-94-V-0	
Housing colour	Military gray RAL 7042	



Ordering information                      Part number

FM45 IP20, 4P TIA568A                      R312231



Reichle & De-Massari AG  
 Binzstrasse 31  
 CHE – 8622 Wetzikon  
 Telephone CO: +41 44 933 81 11  
 Telefax CO: +41 44 930 49 41  
 www.rdm.com