

FX12-PRO



The FX12-PRO is a 12" 2-way horn-loaded, coaxial, full-range cabinet. The speaker is loaded with neodymium high performance transducers from Electro-Voice, a 12" ND 12A woofer and a 1.4" compression driver. Total nominal impedance is 8 Ohm. Total power handling is 350 W RMS. Power amps up to 1200 W at 8 Ohm can be used in order to produce maximum dynamic range without the danger of thermal overload in non-controlled situations. Both drivers are protected by a "Voice Coil Tracking" system called protection circuitry which prevents overheating. The dispersion angles of the horn are H 80° X V 40°. Extreme high sensitivity 106 dB/1 W/1 m; maximum sound pressure level is 137 dB. Internal crossover between mid and treble drivers 1000 Hz; recommended crossover frequency to subwoofers 140 Hz, 18 dB/oct. Butterworth. Without subwoofers this cabinet will provide excellent transmission of speech on mid to long distances. The housing is made of 15 mm birch plywood and coated with a very robust textured paint. The front grille is made of powder coated steel. 4 casters and 2 ergonomic handles provide ease of handling. The cabinet features 6 flying points. With the flying bracket FB-FX12-PRO it can be easily hung on a truss and positioned to cover the audience.

- Neodymium ND6 driver
- Neodymium ND12A mid transducer
- Extremely high sensitivity, 106 dB SPL 1W/1m
- Voice coil tracking protection

Parts included

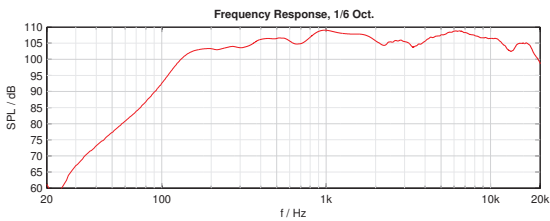
Quantity	Component
1	FX12-PRO
1	Engineering data sheet
1	Important safety instructions

Technical specifications

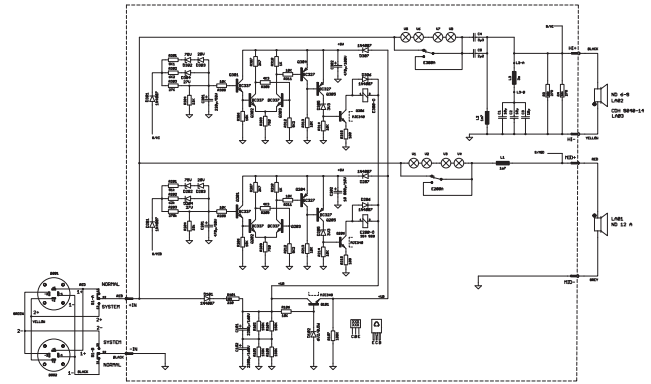
Description	Passive mid-high speaker, coaxial conical horn
Nominal impedance	8 Ω
Power handling	<ul style="list-style-type: none"> • Rated power RMS 350 W • Program power 700 W • Peak power 1400 W
Sound pressure level	<ul style="list-style-type: none"> • SPL 1 W/1 m 106 dB • Maximum SPL (1 meter) 137 dB
Frequency range (-10 dB), measured with Xa 4000	120–19000 Hz

Coverage angle nominal, 1 kHz, -6 dB (measured with Xa 4000)	H 80° × V 40°
Crossover frequency	1000 Hz
Recommended active crossover frequency to subwoofer	140 Hz, 18 dB/oct. Butterworth
Voice coil tracking protection	Separate circuits for lo-mid and high
Transducer	
• High frequency	ND6-8/CDH 8040-14
• Low-mid frequency	ND12A
Audio sockets	
• Model	2 × NEUTRIK speakON NL4MPR
• Contacts “normal”	1+/1-
• Contacts “system”	2+/2-
Enclosure material	15 mm birch plywood
Enclosure finish	Heavy-duty structured lacquer
Color	Black (RAL 9005, jet black)
Grille	Powder coated steel
Handles	2
Castors	4
Product dimensions (Width × Height × Depth)	594 × 601 × 808 mm
Net weight	49.5 kg
Shipping weight	54.6 kg

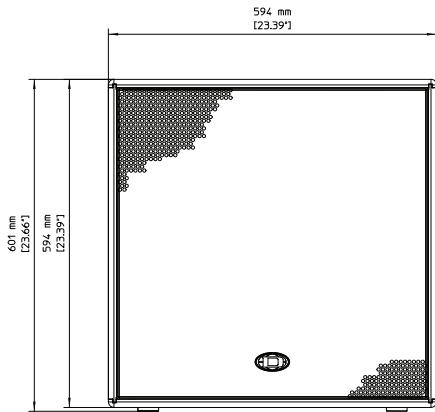
NEUTRIK, speakON and etherCON are registered trademarks of Neutrik AG.



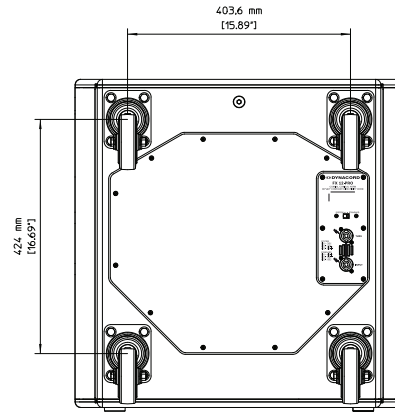
Frequency response



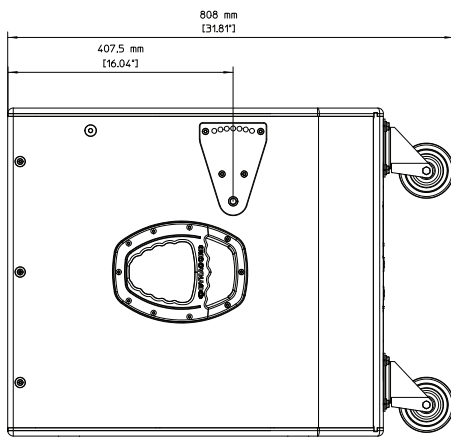
Circuit diagram



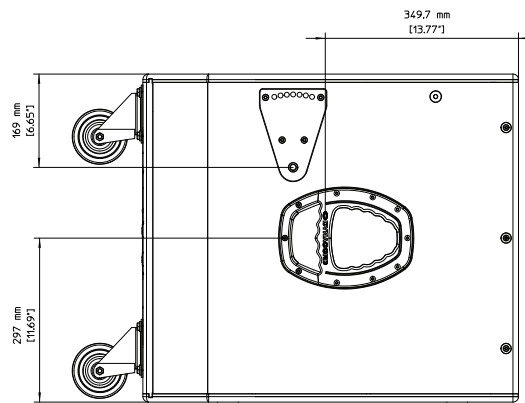
FRONT VIEW



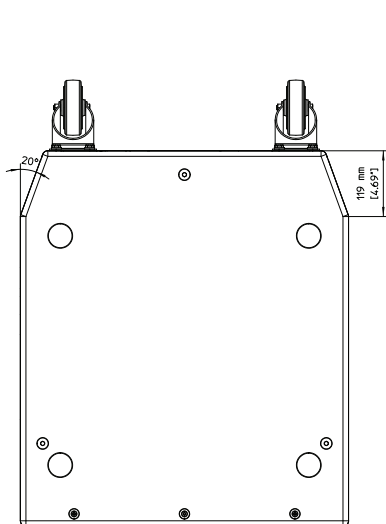
REAR VIEW



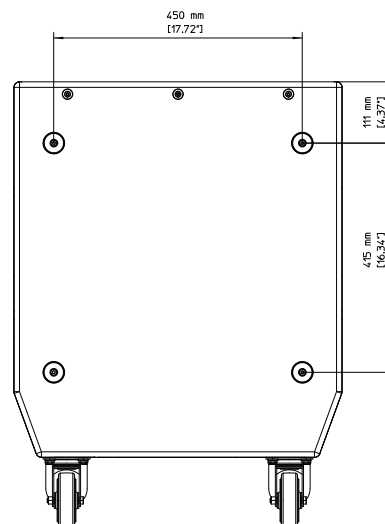
SIDE RIGHT



SIDE LEFT



TOP VIEW



BOTTOM VIEW

Dimensions

Installation/configuration notes

Warning!



We expressly point out that the relevant safety regulations must be observed for “flying” loudspeaker systems. It is imperative that qualified expert advice is sought.

Warning!



This loudspeaker system can permanently damage hearing! Use extreme care when setting sound pressure levels!

Warning!



Consult a certified structural engineer before any attempt to suspend this loudspeaker!

Loudspeaker can fall from improper suspension, resulting in severe injury and damage of property. Do not suspend or mount any other product or device from this loudspeaker enclosure! Use grade 5 hardware or better only!

Ordering information

FX12-PRO

12” 2-way hornloaded, coaxial, full-range cabinet for medium-long-throw applications, 8 Ohm, 350 W RMS
Order number **F.01U.308.088**

Accessories

FB-FX12-PRO

Flying bracket for FX12-PRO (U-form)
Order number **F.01U.311.911**

TC-02

Truss clamp 43-50 mm
Order number **F.01U.100.657**

TC-TV

Truss Clamp > TV Spigot 2" Truss Adapter
Order number **F.01U.100.727**

FB-TV

TV Spigot for Flying-Brackets for: PM-TV or TC-TV
Order number **F.01U.100.845**

CSW 25

Wedge set (2 × wedge 2.5°)
Order number **F.01U.100.678**

FX20-PRO



- 600 W EVX 180B transducer
- 30–150 Hz (-10 dB)
- High-efficiency planar waveguide design
- Voice coil tracking protection

The FX20-PRO is a horn-loaded subwoofer with an Electro-Voice EVX180B 18" high performance transducer. Nominal impedance is 8 Ohm, power handling 600 W RMS. Power amps up to 1200 W/ 8 Ohm can be used in order to have maximum dynamic range without the danger of thermal overload in non-controlled situations. The sensitivity of the cabinet is 101 dB/1 W/1 m, the maximum SPL is 135 dB. The driver is protected by a "Voice Coil Tracking" system called protection circuitry which prevents overheating. Recommended crossover frequencies are 80 to 140 Hz depending on the application.

The housing is made of 15 mm birch plywood and coated with a very robust textured paint. The front grille is made of powder coated steel. 4 casters and 4 ergonomic handles provide simple handling.

Parts included

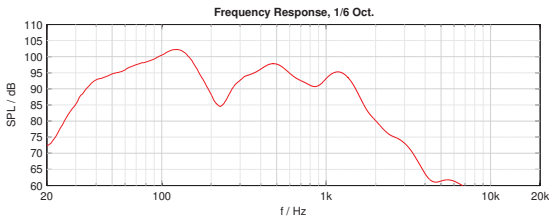
Quantity	Component
1	FX20-PRO
1	Engineering data sheet
1	Important safety instructions

Technical specifications

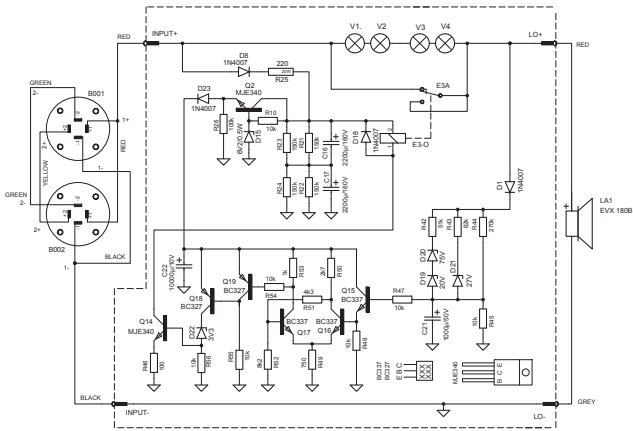
Description	Passive subwoofer, planar waveguide bass horn
Nominal impedance	8 Ω
Power handling	<ul style="list-style-type: none"> • Rated power RMS 600 W • Program power 1200 W • Peak power 2400 W
Sound pressure level	<ul style="list-style-type: none"> • SPL 1 W/1 m 101 dB • Maximum SPL (1 meter) 135 dB
Frequency range (-10 dB), measured with Xa 4000	30–150 Hz
Recommended active crossover frequency	140 Hz, 18 dB/oct. Butterworth
Voice coil tracking protection	Yes
Transducer	EVX 180B
Audio sockets	

• Model	2 × NEUTRIK speakON NL4MPR
• Contacts	1+/1-
Enclosure material	Birch plywood, 15 mm
Enclosure finish	Heavy-duty structured lacquer
Color	Black (RAL 9005, jet black)
Grille	Powder coated steel
Handles	6
Castors	4
Product dimensions (Width × Height × Depth)	610 × 905 × 814 mm
Net weight	54.3 kg
Shipping weight	60.5 kg

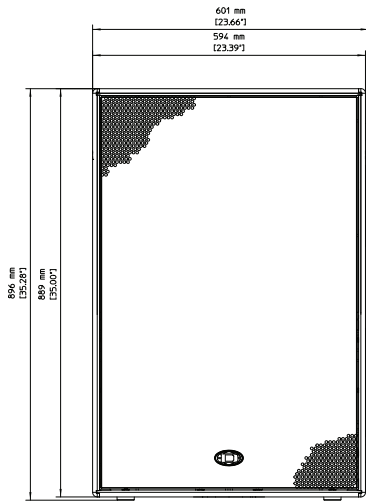
NEUTRIK, speakON and etherCON are registered trademarks of Neutrik AG.



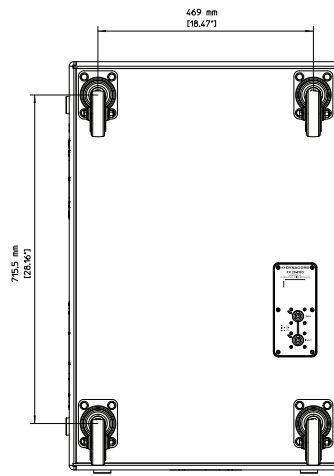
Frequency response



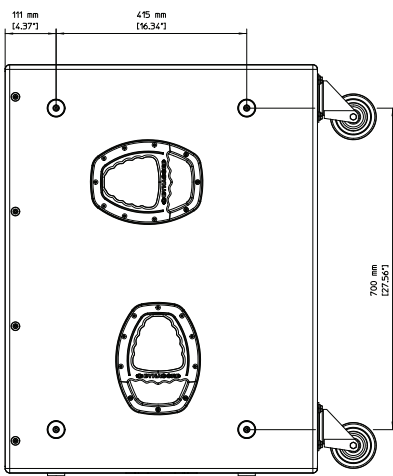
Circuit diagram



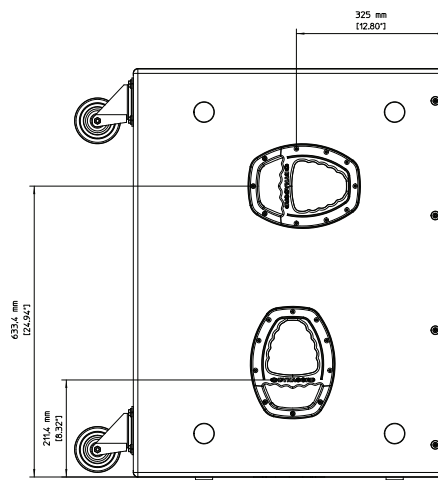
FRONT VIEW



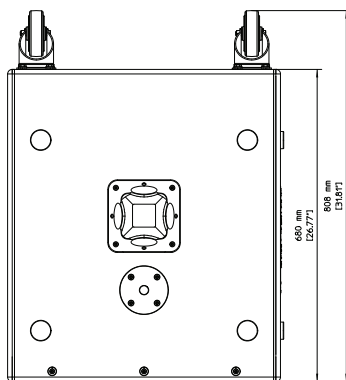
REAR VIEW



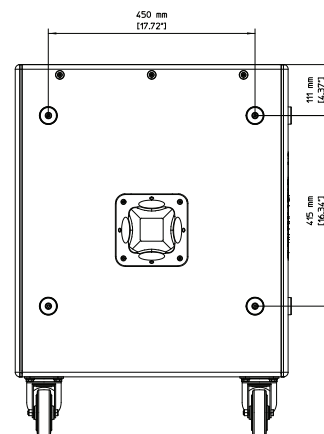
SIDE RIGHT



SIDE LEFT



TOP VIEW



BOTTOM VIEW

Dimensions

Installation/configuration notes

Warning!



We expressly point out that the relevant safety regulations must be observed for “flying” loudspeaker systems. It is imperative that qualified expert advice is sought.

Warning!



This loudspeaker system can permanently damage hearing! Use extreme care when setting sound pressure levels!

Warning!



Consult a certified structural engineer before any attempt to suspend this loudspeaker!

Loudspeaker can fall from improper suspension, resulting in severe injury and damage of property. Do not suspend or mount any other product or device from this loudspeaker enclosure! Use grade 5 hardware or better only!

Ordering information

FX20-PRO

18” horn-loaded subwoofer with planar waveguide, 8 Ohm, 600 W RMS

Order number **F.01U.308.089**

Bosch Sicherheitssysteme GmbH
Robert-Bosch-Ring 5
85630 Grasbrunn
Germany

www.dynacord.com

© Bosch Sicherheitssysteme GmbH, 2015 | Data subject to change without notice
Document Number F01U312215 | Vs1 | 06. Aug 2015