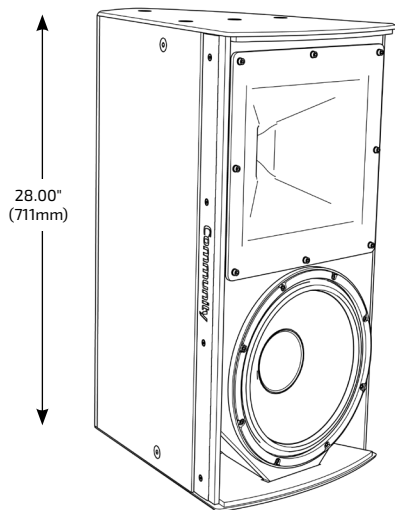


**I SERIES**  
 Point Source 800

# IP8-1122/96

 HIGH POWER 12-INCH TWO-WAY  
 90° x 60° INSTALLATION LOUDSPEAKER


## APPLICATIONS

**MAIN PA (Small to Medium Size Venues)**  
 Houses of Worship · Auditoriums · Restaurants  
 Meeting Rooms · Theaters · Corporate A/V Systems

**DISTRIBUTED OR FILL (Larger Size Venues)**  
 Arenas · Stadiums · Night Clubs · Theaters  
 Themed Entertainment · Larger Houses of Worship

## DESCRIPTION

I SERIES Point Source 800 loudspeakers provide exemplary acoustic performance, modular flexibility and elegant aesthetics for modern performance venues. Designed to support the goals of systems integrators and consultants both acoustically and mechanically, I SERIES includes a wide variety of arrayable, rotatable coverage patterns and a comprehensive selection of modular bracket systems that accelerate system design and system commissioning.

FEA-optimized linear suspensions, high-flux neodymium motors, and integral demodulation rings ensure precise transducer motion control and very low distortion at high SPL levels. The custom long-excursion LF driver delivers deep bass response and a balanced midrange in the most demanding applications. The HF compression driver's non-metallic diaphragm provides natural, transparent sound quality that accurately reproduces and complements any source.

The rotatable 13-inch (330mm) HF waveguide provides well-defined coverage and a smooth off-axis response that enhances arrayability. Individually voiced crossovers produce proper beamwidth matching transitions and identical sonic signatures throughout the product line, permitting horn patterns to be mixed throughout an installation. Additionally, user selectable single-amp or biamp operating modes expand application flexibility.

## FEATURES

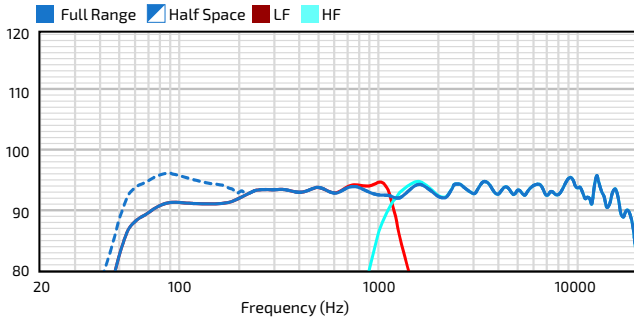
- High-flux, linear neodymium motors with demodulation rings for very low distortion
- Exceptional sound quality and clarity at very high output levels
- Lightweight and compact with deep LF extension
- Large rotatable waveguide with individually voiced crossover, single amp / biamp selectable
- Innovative low profile modular bracket systems create elegant arrays with simplified installation

## TECHNICAL SPECIFICATIONS<sup>1</sup>

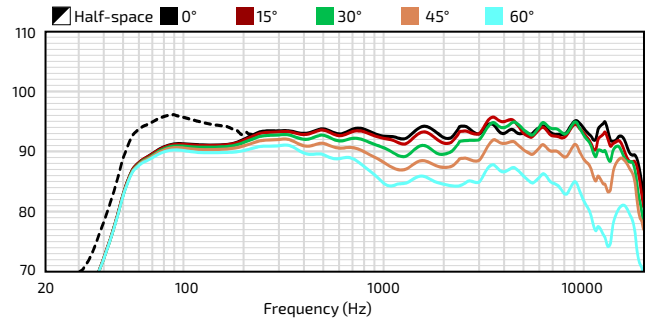
<b>Operating Mode</b>	Passive or Biamp with DSP		
<b>Operating Environment</b>	Indoor or Weather-Resistant Outdoor		
<b>Operating Range<sup>2</sup></b>	44 Hz to 22.4 kHz		
<b>Nominal Beamwidth (H x V)</b>	90° x 60°, rotatable waveguide		
<b>Transducers</b>	LF 1 x 12" (305mm) neodymium driver, 3" (76mm) voice coil, demodulation ring HF 1 x 1.4" (36mm) exit compression, 2.6" (66mm) voice coil, demodulation ring, ketone polymer diaphragm, neodymium compression driver		
<b>Continuous Power Handling<sup>3</sup> @ Nominal Impedance</b>	Passive*	80V	800W @ 8 ohms (3200W peak)
	LF	69V	600W @ 8 ohms (2400W peak)
	HF	25V	80W @ 8 ohms (320W peak)
<b>Nominal Sensitivity<sup>4</sup></b>	Passive	@ 1W	@ 2.83V
	LF	94 dB	94 dB
	HF	95 dB	95 dB
	HF	105 dB	105 dB
<b>Nominal Maximum SPL<sup>5</sup> (Whole Space)</b>	Passive	Peak	Continuous
	LF	129 dB	123 dB
	HF	129 dB	123 dB
	HF	130 dB	124 dB
<b>Equalized Sensitivity<sup>6</sup></b>	System	@ 1W	@ 2.83V
		93 dB	93 dB
<b>Equalized Maximum SPL<sup>7</sup></b>	System	Peak	Continuous
		128 dB	122 dB
<b>Recommended Amplifiers</b>	Passive	800W - 1600W @ 8 ohms, (80V - 113V)	
	LF	600W - 1200W @ 8 ohms, (69V - 98V)	
	HF	80W - 160W @ 8 ohms (25V - 36V)	
<b>PHYSICAL</b>			
<b>Input Connection</b>	(2) Screw terminal blocks (6-position)		
<b>Mounting Points</b>	(15) M10 threaded rigging points		
<b>Environmental</b>	Outdoor: IP55W per IEC 60529, MIL-STD-810G		
<b>Weight</b>	55 lbs (24.9 kg) loudspeaker only		
<b>Dimensions H x W x D</b>	28.00" x 14.50" x 17.70" (711 x 368 x 450 mm)		
<b>Finish</b>	Refer to the Technical Drawing		
<b>OPTIONS</b>			
<b>Accessories</b>	<i>(Refer to BalancePoint™ Flyware Accessory Guide for complete listing)</i> Rigging kits include: <b>BFR22</b> : BalancePoint™ Fly Rails; <b>IUB1122</b> : U-Bracket; <b>IVY1122</b> : Vertical Yoke; <b>IAF40/IAF55</b> : Isometric Array Frames; <b>VAB-BFR38</b> : Sub Above Vert Array; <b>HAB-BFR38</b> : Sub/Dual 2-Way Horiz Array; <b>HSB/VSB</b> : Multiple Splay Brackets for Horiz/Vert Arrays with/without Sub Behind options; <b>DFS</b> : Downfill Splay Kit; <b>DVS-BFR22</b> : Dual Vert Splay Kit with BalancePoint™ Fly Rails; <b>TPK</b> : Tight Pack Kit; <b>IUB1122WRG</b> : Reinforced 304SS U-Bracket (Grey)		
<b>Configure-to-Order (CTO)</b>	Custom color; Custom cable lengths on outdoor version		

<sup>1</sup>Rated continuous maximum input voltage at passive loudspeaker input may be higher than for directly connected transducers due to losses in the passive crossover. Voltages applied to the transducer terminals through the passive crossover shall always be the same or lower than the rated continuous voltage for each device.

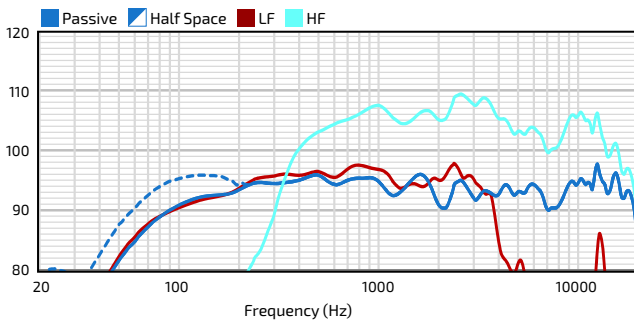
### AXIAL PROCESSED RESPONSE (dB)<sup>8</sup>



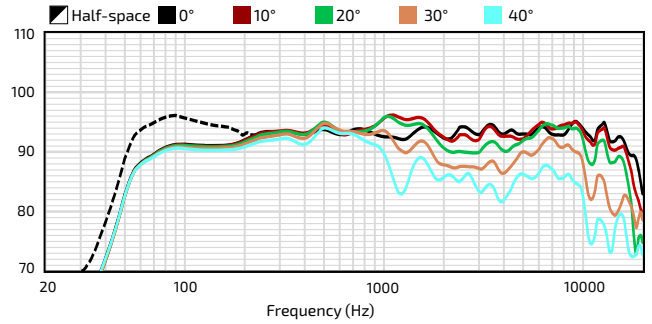
### HORIZONTAL OFF-AXIS RESPONSE (dB)<sup>10</sup>



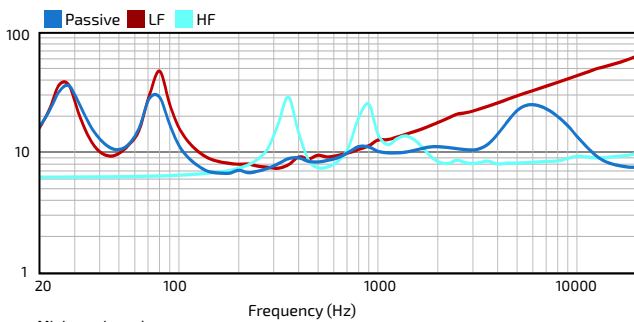
### AXIAL SENSITIVITY (dB SPL)<sup>9</sup>



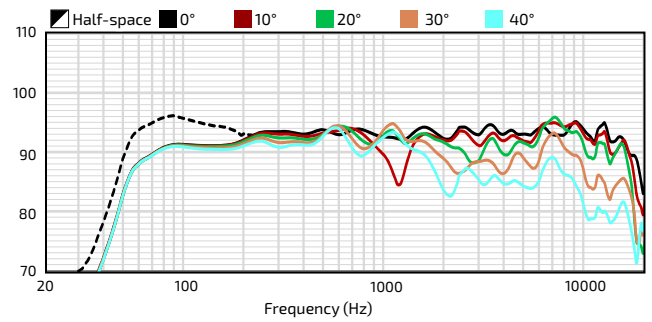
### VERTICAL OFF-AXIS UP RESPONSE (dB)<sup>10</sup>



### IMPEDANCE (Ohms)

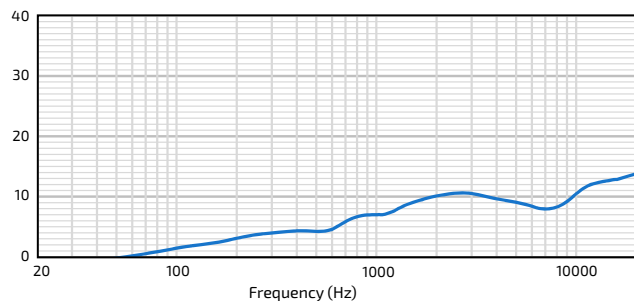


### VERTICAL OFF-AXIS DOWN RESPONSE (dB)<sup>10</sup>

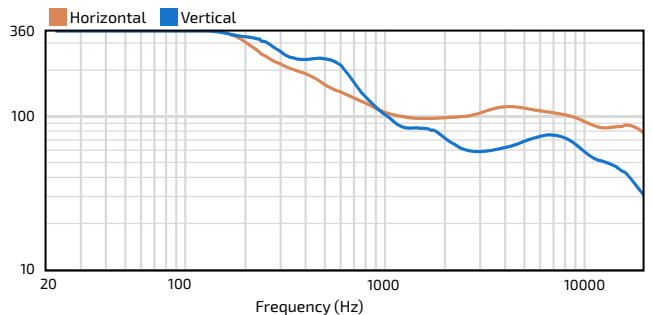


Minimum Impedance:  
(Passive) 6.7 ohms @ 180 Hz, (LF) 7.4 ohms @ 320 Hz, (HF) 7.5 ohms @ 500 Hz

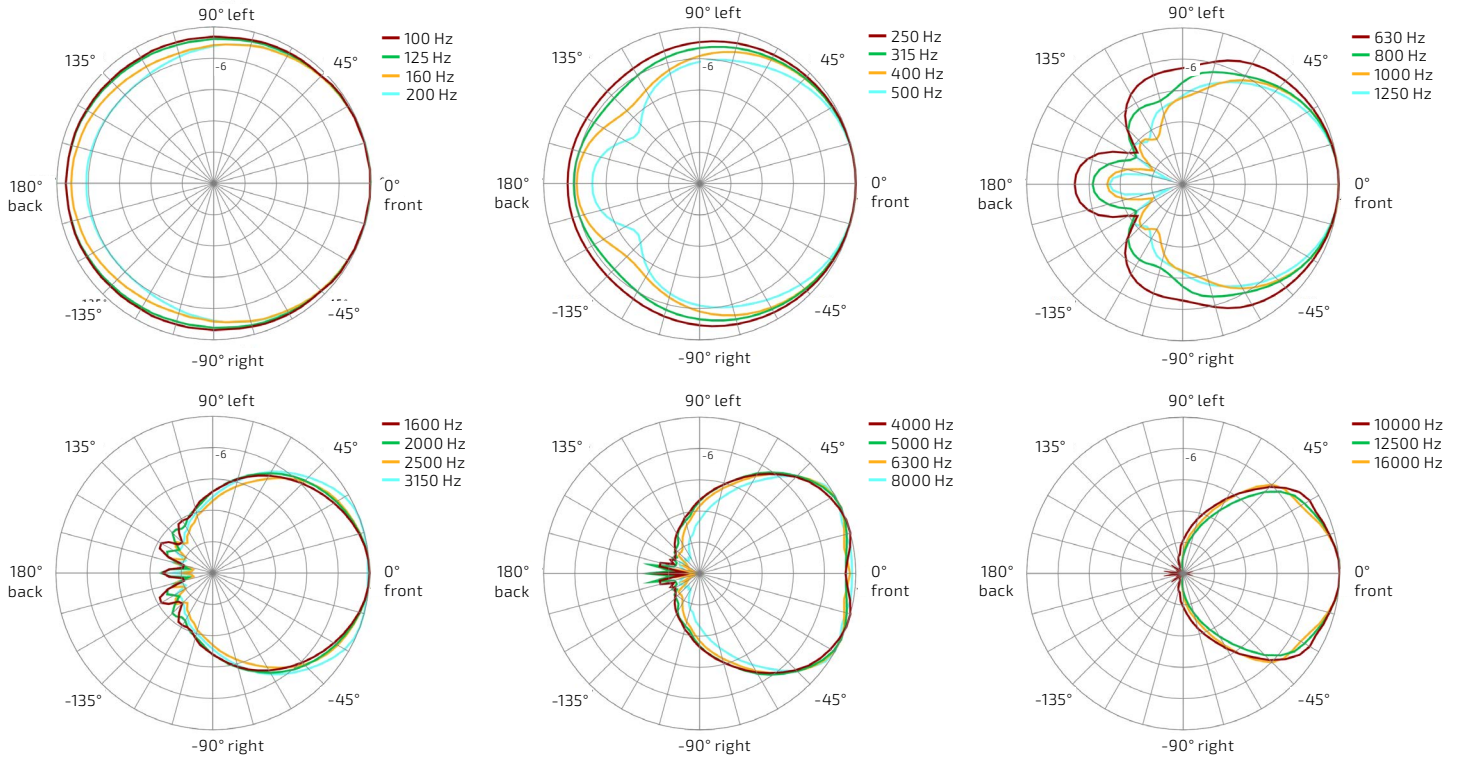
### DIRECTIVITY INDEX (dB)<sup>11</sup>



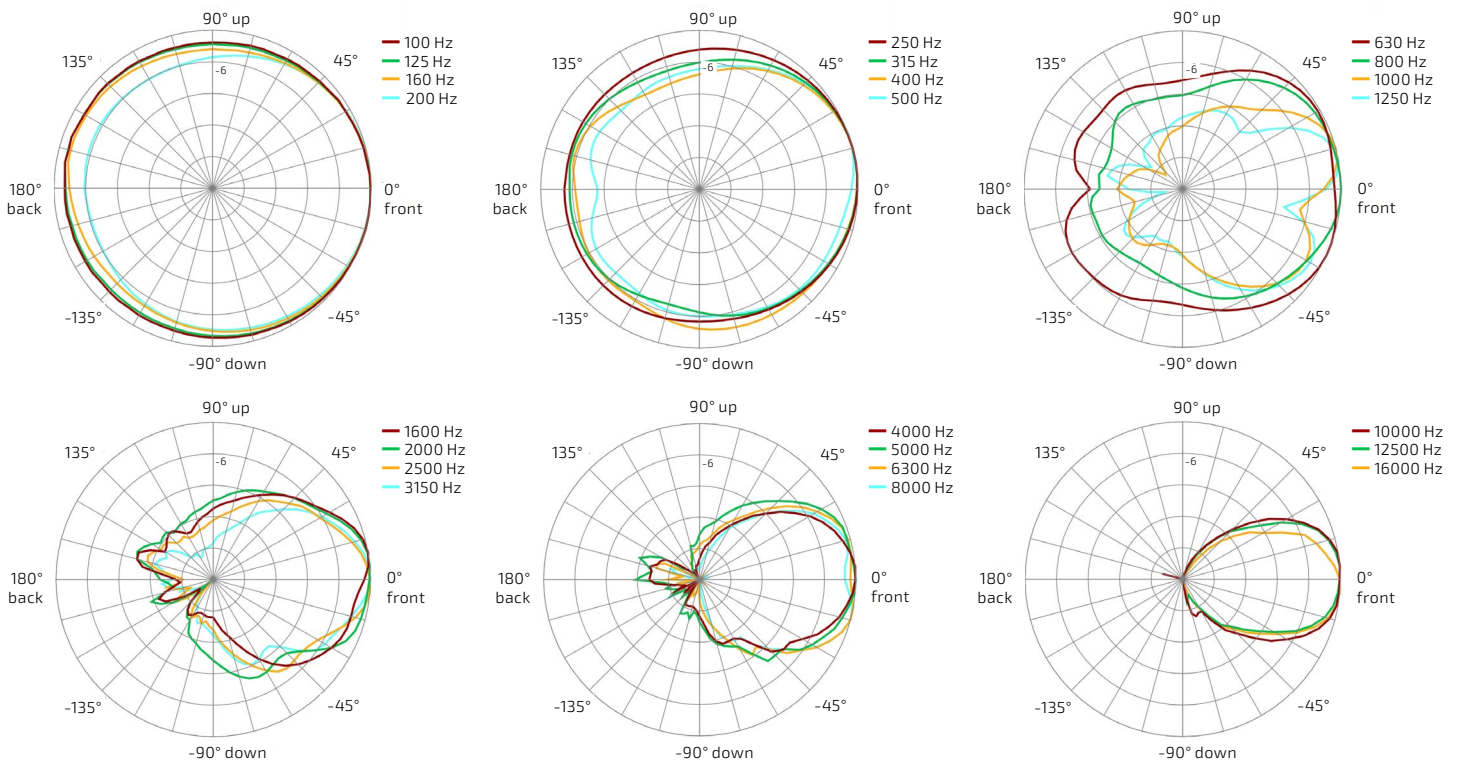
### BEAMWIDTH (Degrees)<sup>12</sup>



## HORIZONTAL POLAR DATA (30dB Scale, 6dB per major division)



## VERTICAL POLAR DATA (30dB Scale, 6dB per major division)



# IP8-1122/96

HIGH POWER 12-INCH TWO-WAY  
90° x 60° INSTALLATION LOUDSPEAKER

## TECHNICAL DRAWING / DIMENSIONS / FINISH

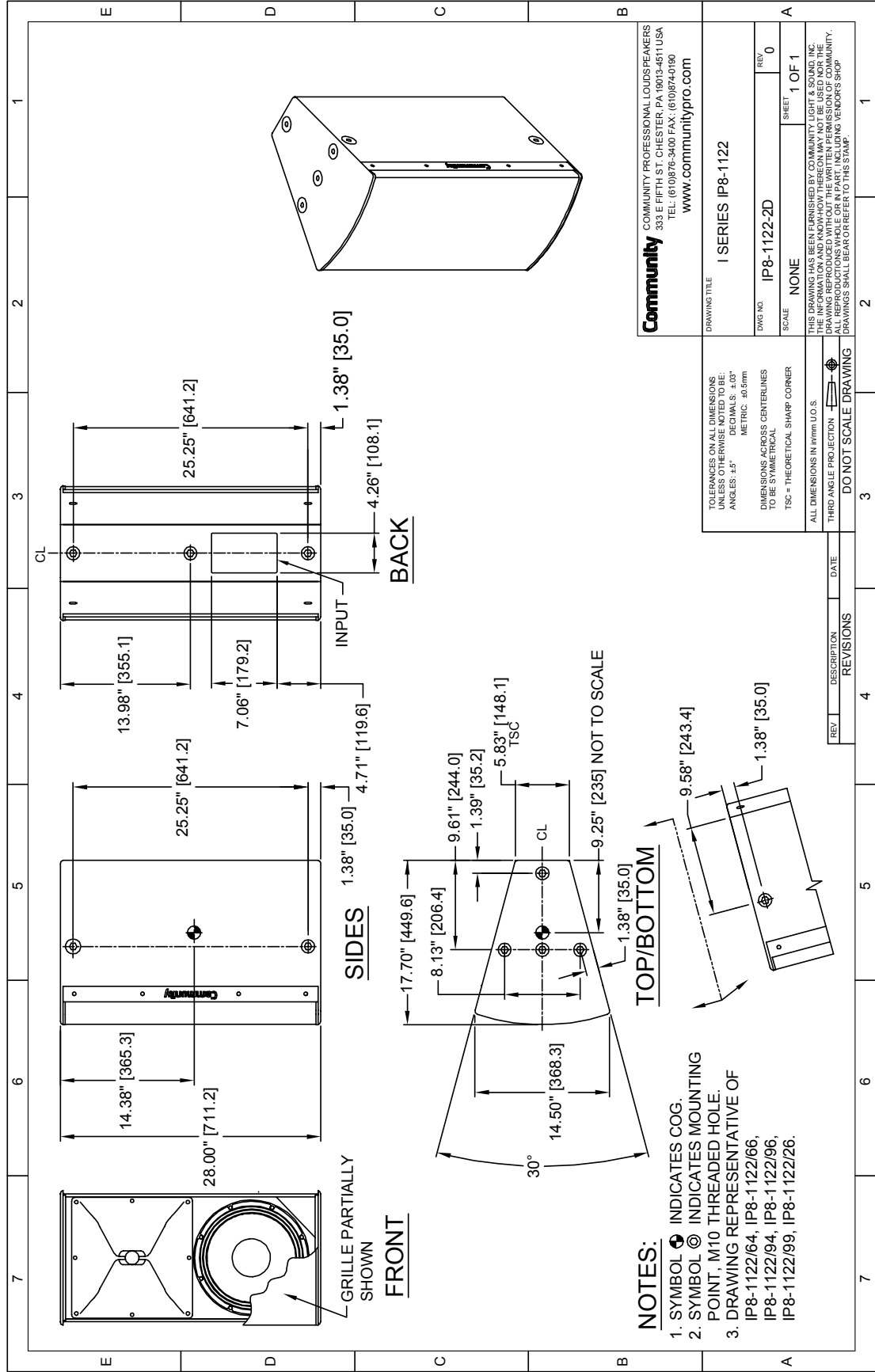
**Indoor Models:**  
**Grille:** Powder-coated perforated steel backed with color-matched acoustically transparent woven fabric. Black (RAL9005) or White (RAL9003)  
**Enclosure / Finish:** Black (RAL9005) or White (RAL9003) low gloss, uniformly textured painted 15mm Baltic Birch plywood.

**Outdoor Models:**  
**Grille:** Marine grade aluminum with zinc-rich dual-layer grey powder-coat, featuring hydrophobic treatment of acoustically transparent woven black fabric backing.  
**Enclosure / Finish:** 15mm PolyGlas, Grey (RAL7038), heavily textured industrial-grade exterior-rated coating. Black, White or Custom colors upon request.

**H x W x D**  
 28.00" x 14.50" x 17.70"  
 (711 x 368 x 450 mm)

**Unit Weight**  
 55 lbs (24.9 kg) loudspeaker only

**Shipping Weight**  
 64 lbs (29.0 kg)



- NOTES:**
1. SYMBOL ⊕ INDICATES COG.
  2. SYMBOL ⊙ INDICATES MOUNTING POINT, M10 THREADED HOLE.
  3. DRAWING REPRESENTATIVE OF IP8-1122/64, IP8-1122/66, IP8-1122/94, IP8-1122/96, IP8-1122/99, IP8-1122/26.

TOLERANCES ON ALL DIMENSIONS UNLESS OTHERWISE NOTED TO BE:	
ANGLES: ±5°	
DIMENSIONS ACROSS CENTERLINES TO BE SYMMETRICAL	
TSC = THEORETICAL SHARP CORNER	
ALL DIMENSIONS IN mm U.O.S.	
THIRD ANGLE PROJECTION	
DO NOT SCALE DRAWING	

<b>Community</b> COMMUNITY PROFESSIONAL LOUDSPEAKERS 333 E FIFTH ST. CHESTER, PA 19013-4511 USA TEL: (610)876-3400 FAX: (610)874-0190 www.communitypro.com	
DRAWING TITLE I SERIES IP8-1122	
DWG NO. IP8-1122-2D	REV 0
SCALE NONE	SHEET 1 OF 1
THIS DRAWING HAS BEEN FURNISHED BY COMMUNITY LIGHT & SOUND, INC. THE INFORMATION AND KNOW-HOW THEREON MAY NOT BE USED FOR THE REPRODUCTION OF ANY PART OF THE DRAWING WITHOUT THE WRITTEN PERMISSION OF COMMUNITY LIGHT & SOUND, INC. ALL REPRODUCTIONS SHALL BE FOR PARTS INCLUDING VENDOR'S SHOP DRAWINGS SHALL BEAR OR REFER TO THE STAMP.	

REV	DESCRIPTION	DATE

\*Note: The outdoor model drawing is available at communitypro.com - Input panel and mounting point locations and the unit weight may vary from indoor model (shown).

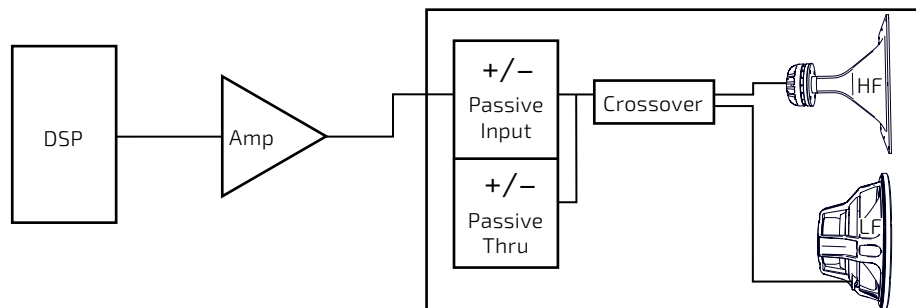
## I SERIES

Point Source 800

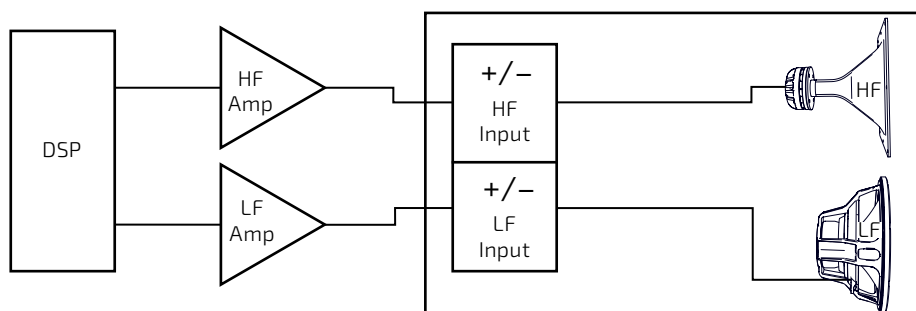
# IP8-1122/96

HIGH POWER 12-INCH TWO-WAY  
90° x 60° INSTALLATION LOUDSPEAKER

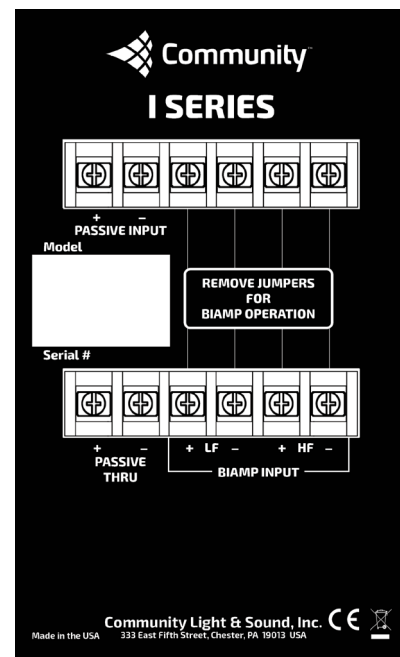
### CONNECTION DIAGRAMS



Two-way single amp



Two-way biamp



Two-way input panel

### NOTES

- PERFORMANCE SPECIFICATIONS** All measurements are taken indoor using a time-windowed and processed signal to eliminate room effects, approximating an anechoic environment, a distance of 6.0 m. All acoustic specifications are rounded to the nearest whole number. An external DSP with settings provided by Community Professional Loudspeakers is required to achieve the specified performance; further performance gains can be realized using Community's dSPEC226 loudspeaker processor with FIR power response optimization.
- OPERATING RANGE** The frequency range in which the on-axis processed response remains within 10dB of the average SPL.
- CONTINUOUS POWER HANDLING** Maximum continuous input voltage (and the equivalent power rating, in watts, at the stated nominal impedance) that the system can withstand, without damage, for a period of 2 hours using an EIA-426-B defined spectrum; with recommended signal processing and protection filters.
- NOMINAL SENSITIVITY** Averaged SPL over the operating range with an input voltage that would produce 1 Watt at the nominal impedance and the averaged SPL over the operating range with a fixed input voltage of 2.83V, respectively; swept sine wave axial measurements with no external processing applied in whole space, except where indicated.
- NOMINAL MAXIMUM SPL** Calculated based on nominal / peak power handling, respectively, and nominal sensitivity; exclusive of power compression.
- EQUALIZED SENSITIVITY** The respective SPL levels produced when an EIA-426-B signal is applied to the equalized loudspeaker system at a level which produces a total power of 1 Watt, in sum, to the loudspeaker subsections and also at a level which produces a total voltage, in sum, of 2.83V to the loudspeaker subsections, respectively; each referenced to a distance of 1 meter.
- EQUALIZED MAXIMUM SPL** The SPL produced when an EIA-426-B signal is applied to the equalized loudspeaker system, at a level which drives at least one subsection to its rated continuous input voltage limit, referenced to a distance of 1 meter. The peak SPL represents the 2:1 (6dB) crest factor of the EIA-426-B test signal.
- AXIAL PROCESSED RESPONSE** The on-axis variation in acoustic output level with frequency of the complete loudspeaker system with recommended signal processing applied. 1/6 octave Gaussian smoothing applied.
- AXIAL SENSITIVITY** The on-axis variation in acoustic output level with frequency for a 1 Watt swept sine wave, referenced to 1 meter with no signal processing. 1/6 octave Gaussian smoothing applied.
- HORIZONTAL / VERTICAL OFF-AXIS RESPONSES** The loudspeaker's magnitude response at various angles off-axis, with recommended signal processing applied in the operating mode which utilizes the largest number of individually amplified pass bands. 1/6 octave Gaussian smoothing applied.
- DIRECTIVITY INDEX** The ratio of the on-axis SPL squared to the mean squared SPL at the same distance for all points within the measurement sphere for each given frequency; expressed in dB. 1/6 octave Gaussian smoothing applied.
- BEAMWIDTH** The angle between the -6dB points in the polar response of the loudspeaker when driven in the operating mode which utilizes the largest number of individually amplified pass bands. 1/6 octave Gaussian smoothing applied.

Data presented on this spec sheet represents a selection of the basic performance specifications for the model. These specifications are intended to allow the user to perform a fair, straightforward evaluation and comparison with other loudspeaker spec sheets. For a detailed analysis of this loudspeaker's performance, please download the GLL file and/or the CLF file from our website: [communitypro.com](http://communitypro.com)