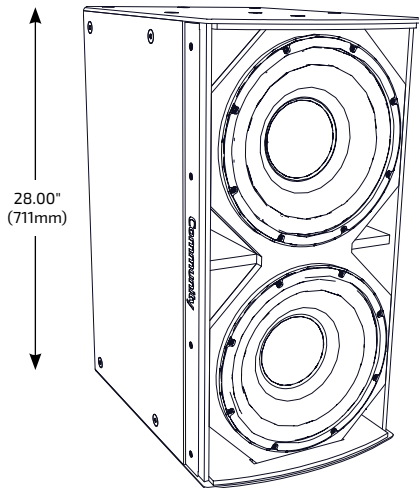


I SERIES
 Subwoofer 600

IS6-212

 MEDIUM POWER DUAL 12-INCH
 SUBWOOFER

APPLICATIONS
SMALL TO MEDIUM SIZE VENUES

 Houses of Worship · Auditoriums · Restaurants
 Meeting Rooms · Theaters · Corporate A/V Systems

LARGER SIZE VENUES

 Arenas · Stadiums · Night Clubs · Theaters
 Themed Entertainment · Larger Houses of Worship

DESCRIPTION

I SERIES Subwoofer 600 loudspeakers provide exemplary acoustic performance, modular flexibility and elegant aesthetics for modern performance venues. Designed to support the goals of systems integrators and consultants both acoustically and mechanically, I SERIES Subwoofers provide a broad range of sizes and capabilities that can be specifically matched to the needs of any modern venue.

Each cabinet was carefully designed to provide matching heights, face widths and suspension point locations for seamless integration into flown arrays with I SERIES full-range models. The broad range of optional low profile fly rails, fly frames and modular array brackets reduces design and installation time while also providing improved aesthetics and nearly limitless integration possibilities.

The IS6-212 is a compact, direct radiating subwoofer with large, balanced ports that provide optimal enclosure tuning and even air pressure distribution to the driver cones, reducing distortion and extending system longevity. Drivers are loaded into individual air volumes within the enclosure, isolating their performance from one another. This arrangement not only provides additional protection to drivers in case of failures, but also allows the designer to implement directional subwoofer techniques, like steered end-fire arrays and cardioid patterns, within a single enclosure when using any I SERIES dual driver subwoofer model.

FEATURES

- Long excursion ferrite LF drivers with FEA-optimized motors and symmetric movement suspension
- Matched-size enclosure and aligned suspension point for seamless flown array integration
- 1400W continuous power handling (5600W peak)
- High sensitivity design minimizes power compression losses and required amplifier size
- Isolated driver air volumes allow use of directional steering techniques within a single enclosure

TECHNICAL SPECIFICATIONS¹

Operating Mode	Single or Dual Amp		
Operating Environment	Indoor or Weather-Resistant Outdoor		
Operating Range²	38 Hz to 150 Hz		
Transducers	2 x 12" (300mm) double-treated cones with 4" (102mm) inner/outer wound voice coil, ferrite construction		
Continuous Power Handling³ @ Nominal Impedance	Single Amp Dual Amp	75V 75V	1400W @ 4 ohms (5600W peak) 700W @ 8 ohms (2800W peak) (each)
Nominal Sensitivity⁴	Half Space Whole Space	@ 1W 103 dB 97 dB	@ 2.83V 106 dB 100 dB
Nominal Maximum SPL⁵	Half Space Whole Space	Peak 140 dB 134 dB	Continuous 134 dB 128 dB
Equalized Sensitivity⁶	Half Space Whole Space	@ 1W 99 dB 93 dB	@ 2.83V 102 dB 96 dB
Equalized Maximum SPL⁷	Half Space Whole Space	Peak 136 dB 130 dB	Continuous 130 dB 124 dB
Recommended Amplifiers	Single Amp Dual Amp	1400W - 2800W @ 4 ohms, (75V - 106V) 700W - 1400W @ 8 ohms, (75V - 106V) (each driver)	

PHYSICAL

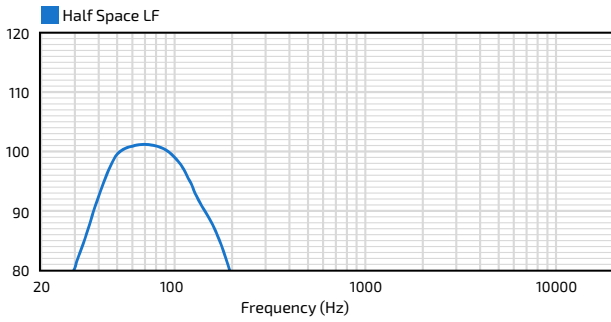
Input Connection	(2) 4 position screw terminal blocks
Mounting Points	(24) M10 threaded rigging points Indoor; (23 in Outdoor model)
Environmental	Outdoor: IP55W per IEC 60529, MIL-STD-810G
Weight	101 lbs (45.8 kg) subwoofer only
Dimensions H x W x D	28.00" x 14.50" x 21.00" (711 x 368 x 533 mm)
Finish	Refer to the Technical Drawing

OPTIONS

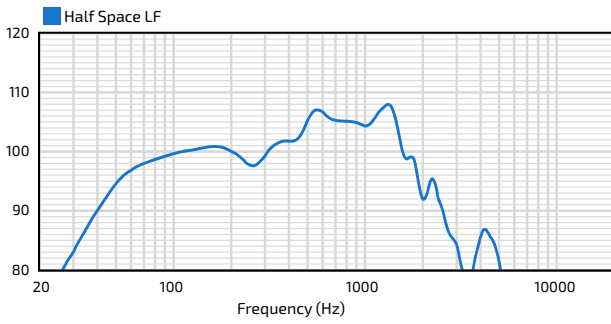
Accessories (Refer to BalancePoint™ Flyware Accessory Guide for complete listing)	<i>Rigging kits include:</i> BFR22: BalancePoint™ Fly Rails; IAF40: Isometric Array Frame; VAB-BFR38: Sub Above Vert. Array; HAB: Sub/Dual 2-Way Horiz. Array; HVS: Multiple Horiz./Vert. Array Kits with Sub Behind Array Options; DFS: Downfill Splay Kit; TPK: Tight Pack Kit; IUB1122WRG: Reinforced 304SS U-Bracket (WR models only)
Configure-to-Order (CTO)	Custom color, Custom cable lengths on outdoor version

IS6-212 MEDIUM POWER DUAL 12-INCH SUBWOOFER

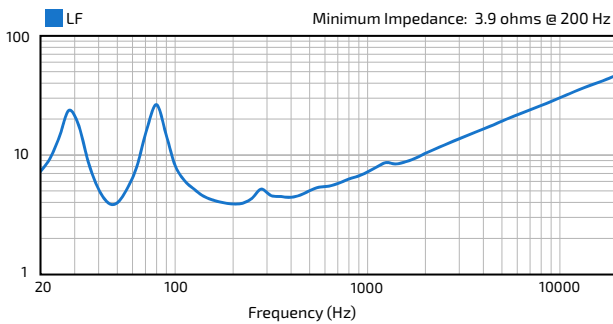
AXIAL PROCESSED RESPONSE (dB)⁸



AXIAL SENSITIVITY (dB SPL)⁹



IMPEDANCE (Ohms)



IS6-212 MEDIUM POWER DUAL 12-INCH SUBWOOFER

TECHNICAL DRAWING / DIMENSIONS / FINISH

H x W x D
28.00" x 14.50" x 21.00"
(711 x 368 x 533 mm)

Unit Weight
101 lbs (45.8 kg) loudspeaker only

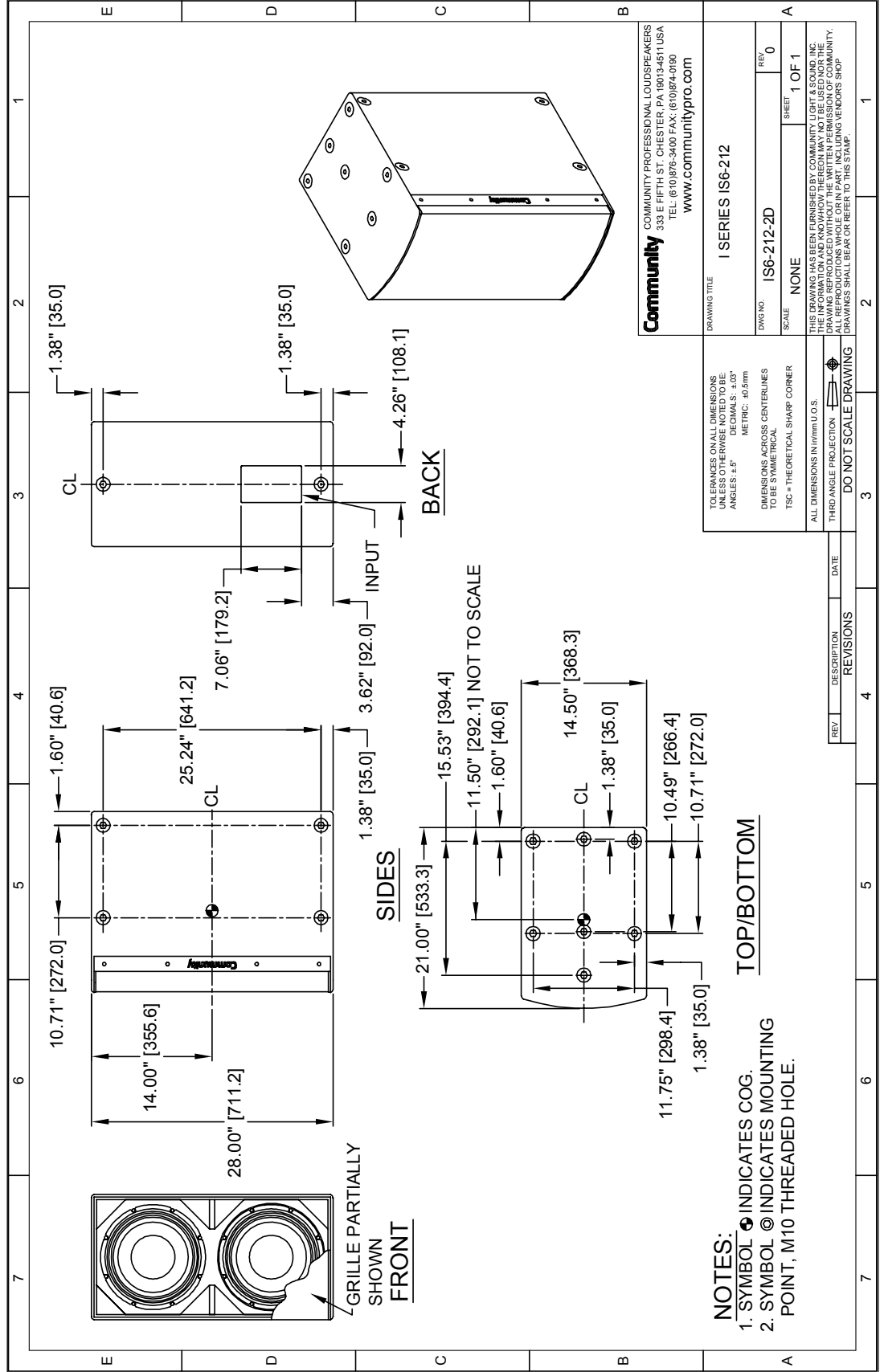
Shipping Weight
111 lbs (50.3 kg)

Indoor Models:
Grille: Powder-coated perforated steel backed with color-matched acoustically transparent woven fabric. Black (RAL#9005) or White (RAL#9003)

Enclosure / Finish: Black (RAL#9004) or White (RAL#9003) low gloss, uniformly textured painted 15mm Baltic Birch plywood.

***Outdoor Models:**
Grille: Marine grade aluminum with zinc-rich dual-layer powder-coat, featuring NeverWet™ treated acoustically transparent woven black fabric backing. Grey (RAL#7047)

Enclosure / Finish: 15mm PolyGlas, Grey, heavily textured industrial-grade exterior-rated coating. Black, White or Custom colors upon request.



NOTES:
 1. SYMBOL ⊕ INDICATES COG.
 2. SYMBOL ⊙ INDICATES MOUNTING POINT, M10 THREADED HOLE.

*Note: The outdoor model drawing is available at communitypro.com - Input panel and mounting point locations, and the unit weight will vary from indoor model (shown).

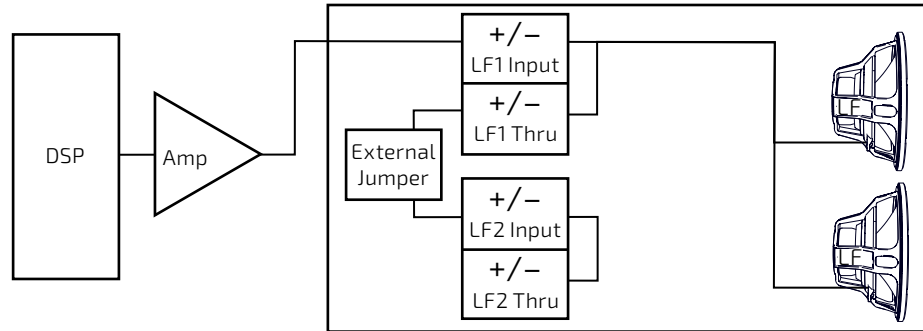
I SERIES

Subwoofer 600

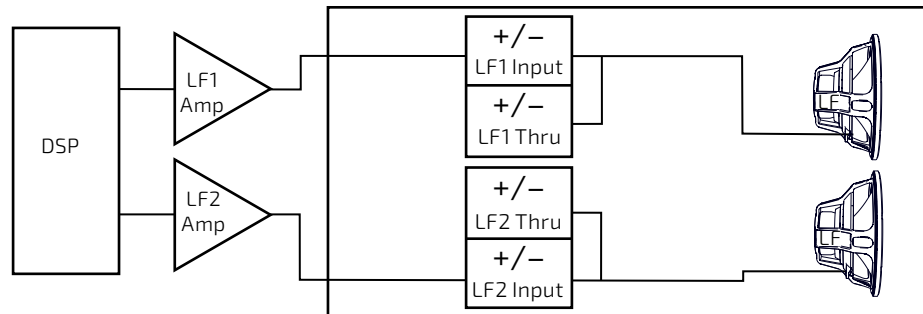
IS6-212

MEDIUM POWER DUAL 12-INCH
SUBWOOFER

CONNECTION DIAGRAMS

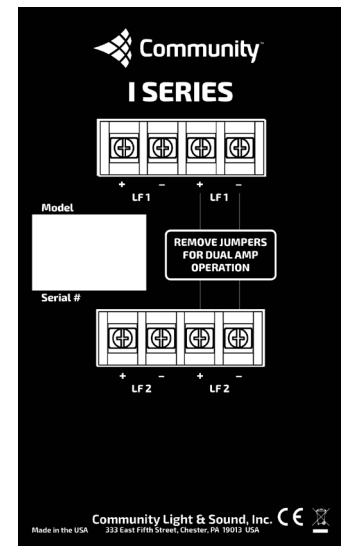


Single amp



Dual amp

INPUT PANEL



NOTES

- PERFORMANCE SPECIFICATIONS** All measurements are taken indoor using a time-windowed and processed to eliminate room effects, approximating an anechoic environment, a distance of 6.0 m. All acoustic specifications are rounded to the nearest whole number. An external DSP with settings provided by Community Professional Loudspeakers is required to achieve the specified performance; further performance gains can be realized using Community's dSPEC226 loudspeaker processor with FIR power response optimization.
- OPERATING RANGE** The frequency range in which the axial processed response remains within 10dB of the average SPL.
- CONTINUOUS POWER HANDLING** Maximum continuous input voltage (and the equivalent power rating, in watts, at the stated nominal impedance) that the system can withstand, without damage, for a period of 2 hours using an EIA-426-B defined spectrum; with recommended signal processing and protection filters.
- NOMINAL SENSITIVITY** Averaged SPL over the operating range with an input voltage that would produce 1 Watt at the nominal impedance and the averaged SPL over the operating range with an input voltage of 2.83 Volts, respectively; swept sine wave axial measurements with no external processing applied in whole space, except where indicated.
- NOMINAL MAXIMUM SPL** Calculated based on nominal / peak power handling, respectively, and nominal sensitivity; exclusive of power compression.
- EQUALIZED SENSITIVITY** The respective SPL levels produced when an EIA-426-B signal is applied to an equalized loudspeaker system at a level which produces a total power of 1 Watt, in sum, to the loudspeaker subsections and at a level which produces a total voltage, in sum, of 2.83 volts to the loudspeaker subsections, respectively; each referenced to a distance of 1 meter.
- EQUALIZED MAXIMUM SPL** The SPL produced when an EIA-426-B signal is applied to an equalized loudspeaker system, at a level which drives at least one subsection to its rated continuous input voltage limit, referenced to a distance of 1 meter. The peak SPL represents the 2:1 (6dB) crest factor of the EIA-426-B test signal.
- AXIAL PROCESSED RESPONSE** The axial magnitude response of the complete loudspeaker system and each pass band capable of being driven by an independent amplification channel with recommended signal processing applied. 1/6 octave smoothing applied.
- AXIAL SENSITIVITY** The SPL plotted against frequency, in all operating modes and for each pass band capable of being driven by an independent amplification channel, for a 1 Watt swept sine wave, referenced to 1 meter with no signal processing. 1/6 octave smoothing applied.

Data presented on this spec sheet represents a selection of the basic performance specifications for the model. These specifications are intended to allow the user to perform a fair, straightforward evaluation and comparison with other loudspeaker spec sheets. For a detailed analysis of this loudspeaker's performance, please download the GLL file and/or the CLF file from our website: communitypro.com.

Community Professional Loudspeakers
333 East Fifth Street, Chester, PA 19013-4511 USA
Phone (610) 876-3400 • Fax (610) 874-0190
communitypro.com • info@communitypro.com

CAUTION: Installation of loudspeakers should only be performed by trained and qualified personnel. It is strongly recommended that a licensed and certified professional structural engineer approve the mounting design.