

LE9304K

LIFTING EYE BOLTS

Part No.	LE9304K
EAN	8713574201996



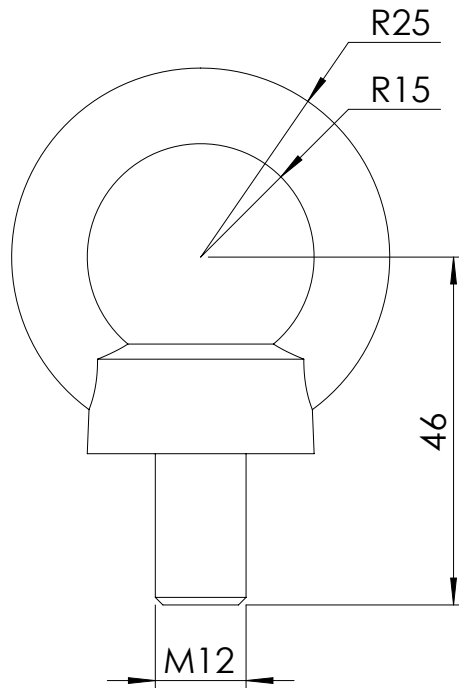
Description: M12 thread. Mounts directly to the frame corner pieces of the enclosure. Complies with DIN 580 lifting requirements.

Maximum load: 3400N per lifting eye with max angle of 45°. Please follow Eldon lifting instructions.

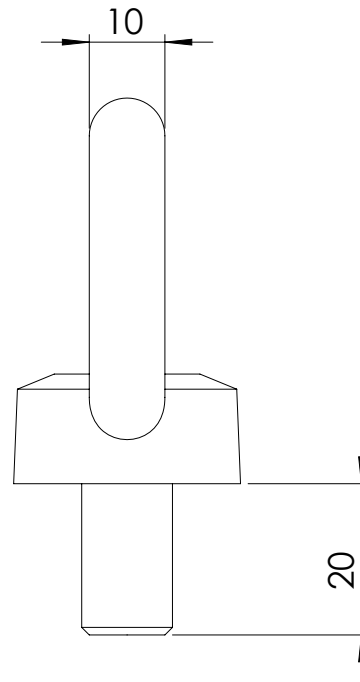
Pack quantity: 4 pieces.

Lifting eye bolt

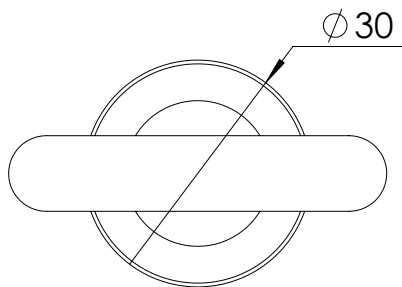
Front view



Side view

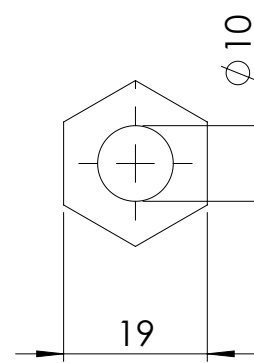


Top view

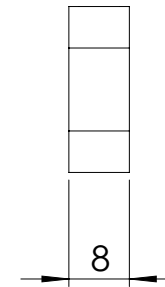


Nut

Front view

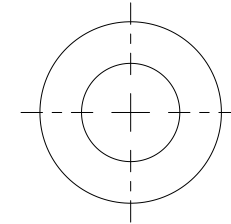


Side view



Washer

Front view



Side view



Drawn by : bvgрма	Date: 21-05-2013	Finish : Zinc plated steel	SCALE:1:1	General tolerances according to Norm ISO 2768-1		
Checked by : mderpu	Date: 21-05-2013					
Revision : 01				Fine	Medium	Coarse
		Floor Standing Enclosures Accessories, Lifting eye bolts		Reference number :		
		MultiK Lifting eye		LE9304K		A4
				Page 1/1		