

MPR 210

Revoluto Desktop Microphone



MPR 210 B



MPR 210 W

FEATURES

- Revoluto Technology
- Corridor characteristic
- State-of-the-art metal casing
- Fixed connecting cable 3-pin XLR connector
- Linear frequency response with high bandwidth

APPLICATIONS

The MPR 210 is a modern desktop microphone which is ideal for discussions, tele/video conferencing and announcements. The Revoluto technology with integrated microphone capsules provides a so-called corridor characteristic which ensures a wide range of good voice quality. Within this range the speaker can move freely, i.e. he/she can stand up or sit down, move his/her head and move towards or away from the microphone.

ARCHITECT'S SPECIFICATIONS

Desktop microphone with patented Revoluto microphone array technology and a number of different functions, which are controlled and monitored with a micro controller. Innovative corridor characteristic with an incomparable freedom of movement without acoustic losses of the recording quality due to the excellent RFI shielding. Balanced frequency response with high bandwidth. Unobtrusive and modern fully metal housing with small dimensions for discreet positioning. Suitable for discussions, podiums, tele and video conferences, announcements and lecterns. Output level switchable in three stages. Two M3 holes at the bottom for optimum and safe installation on a table or ceiling. Bare-ended connecting cable. Cable can be guided to the rear or downwards. Length 3 m. Delivery includes soft zipper bag. Available colors: black, white.

Manufacturer: beyerdynamic
Type: MPR 210

VERSIONS

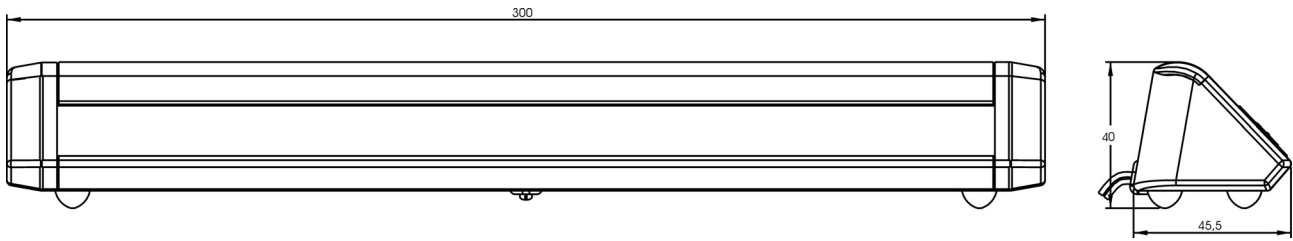
MPR 210 B Revoluto desktop microphone, painted black, connecting cable with 3-pin XLR connector, length 3 m, painted black Order # 725.145
MPR 210 W same as above, but painted white . Order # 725.080

TECHNICAL SPECIFICATIONS

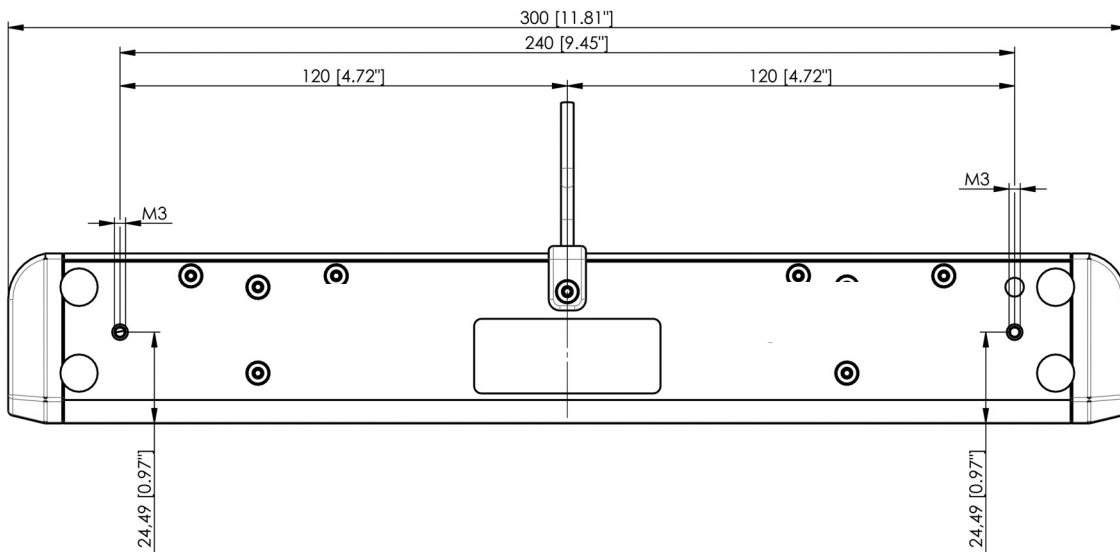
Transducer type	Condenser (back electret)
Frequency response	130 - 17,000 Hz
Microphone	Microphone Array, patented
Polar pattern	Corridor
Optimal distance when speaking	60 - 80 cm
Open circuit voltage at 1 kHz	approx. 200 mV/Pa
Output level depending on the selected position	
Hi	200 mV/Pa
Mid	60 mV/Pa (-10 dB)
Lo	20 mV/Pa (-20 dB)
Nominal impedance	200 Ω
Load impedance	> 1 kΩ
Max. SPL at f = 1 kHz, k < 1%	112 dB
Signal-to-noise ratio rel. to 1 Pa	60 dB
Voltage supply	Phantom powering 48 V ±4 V to 6.8 kΩ supply impedance 24 V ±4 V to 1.2 kΩ supply impedance
Power consumption	8 mA
T.H.D.	< 0.1%
Connection	3-pin XLR, male
Temperature range	-10 °C to +40 °C
Dimensions (L x H x D)	300 x 40 x 45.5 mm
Weight (without cable)	230 g

MPR 210

DIMENSIONS



DRILLING TEMPLATE DIMENSIONS



WIRING DIAGRAM

