

# MX-Y8 / MX-Y10 Yoke

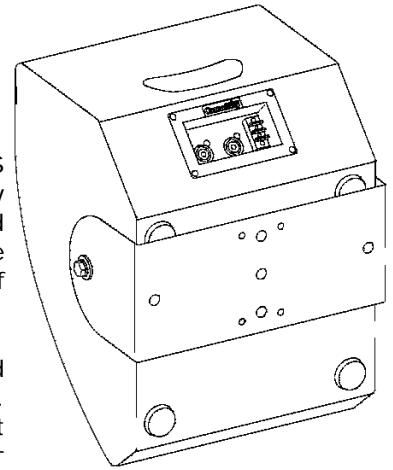
## MX8 and MX10 Mounting Yokes

### Standard Yoke-Type Mounting Brackets for Community V SERIES MX8 and MX10 Monitor Systems

The **MX-Y8** and **MX-Y10** yoke brackets are designed to flush mount the V SERIES MX8 and MX10 loudspeakers in either a vertical or horizontal orientation tightly against a wall or ceiling. Corner mounting is also possible when the yoke is mounted vertically and the loudspeaker horizontally with the bottom and rear of the enclosure against adjacent walls. Such mounting is further aided by the convenient location of the input panel on the bottom rear of the loudspeaker enclosure.

The yokes are manufactured of steel, covered with a durable powder-coat finish, and are available in either black or white to match the color of the loudspeaker enclosure. They are engineered to provide a high margin of safety when supporting the correct V SERIES loudspeaker. Use the MX-Y8 yoke for the MX8 monitor and MX-Y10 yoke for the MX10 monitor.

The yoke bracket is provided with the hardware required to attach it to the loudspeaker enclosure. No additional hardware is provided to attach the yoke bracket to the mounting surface. Such hardware must be supplied by the installer and should be sized and rated for the weight load of the loudspeaker, keeping in mind that additional torque load may occur when focusing the loudspeaker within the yoke assembly. The installer is solely responsible for determining if the mounting surface is capable of safely supporting the weight load of the loudspeaker, and for selecting appropriate hardware to install it.



### **Parts List:**

- Mounting Yoke (1)
- Rubber Washer (2)
- M10 x 30 mm Hex Bolt (2)
- 10mm Flat Washer (2)
- 10mm Lock Washer (2)

*The installer must supply all other hardware for the installation.*

Part No.	Description
MX-Y8B	Yoke Bracket for MX8-B (black)
MX-Y8W	Yoke Bracket for MX8-W (white)
MX-Y10B	Yoke Bracket for MX10-B (black)
MX-Y10W	Yoke Bracket for MX10-W (white)

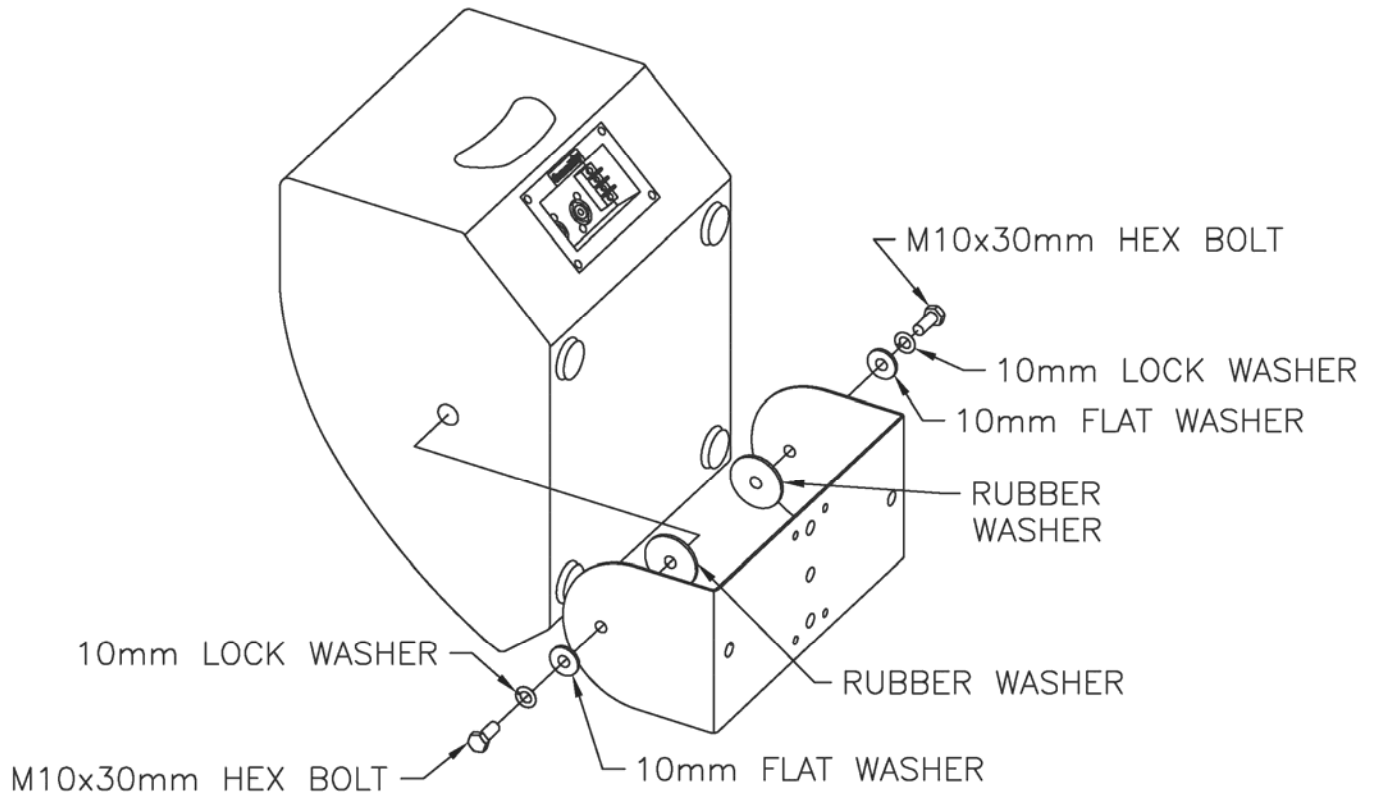


*Wall, ceiling and corner mounting of the V SERIES MX8 or MX10 monitor is possible using the MX-Y8 and MX-Y10 yokes.*



*The loudspeaker input panel is located on the rear of the enclosure.*

## Assembly Diagram



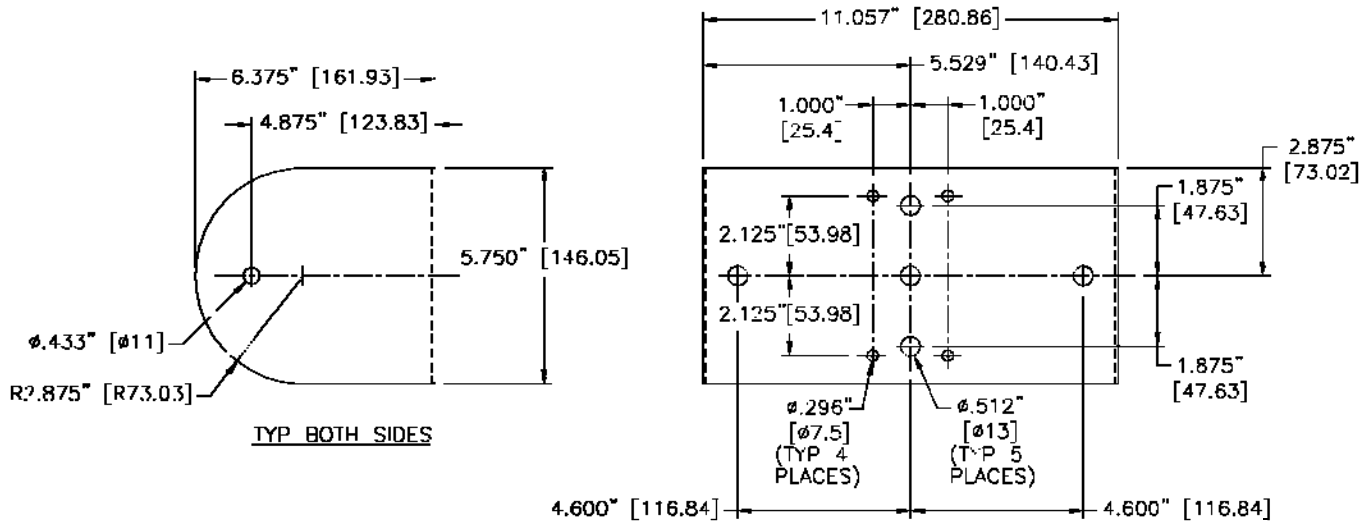
## Assembly Instructions

1. Before installing the loudspeaker in the yoke, the yoke should first be attached to the mounting surface. No hardware is provided for this purpose. Such hardware must be supplied by the installer, and should be rated for the weight load of the enclosure. The installer is solely responsible for determining if the hardware used to mount the yoke is adequately sized and rated, and if the structure it is attached to is capable of safely supporting the weight load of the enclosure.
2. Installing the loudspeaker in the yoke is straightforward. First, remove two of the flat-head Allen screws that come installed in the loudspeaker, one on each side of the enclosure.
3. Position the loudspeaker within the yoke, making sure to leave enough clearance for the speaker wire and connector.
4. Next, fit each of the two M10 x 30mm bolts with a lock washer and a flat washer. Place the two large rubber washers between the yoke and the loudspeaker, then pass each bolt through the yoke bracket and the rubber washer into the loudspeaker's rigging fitting. Tighten the fasteners until snug. After focusing the loudspeaker in the desired position, the bolts should be tightened to a torque of approximately 12 to 15 foot-pounds, using a torque wrench. Do not overtighten.

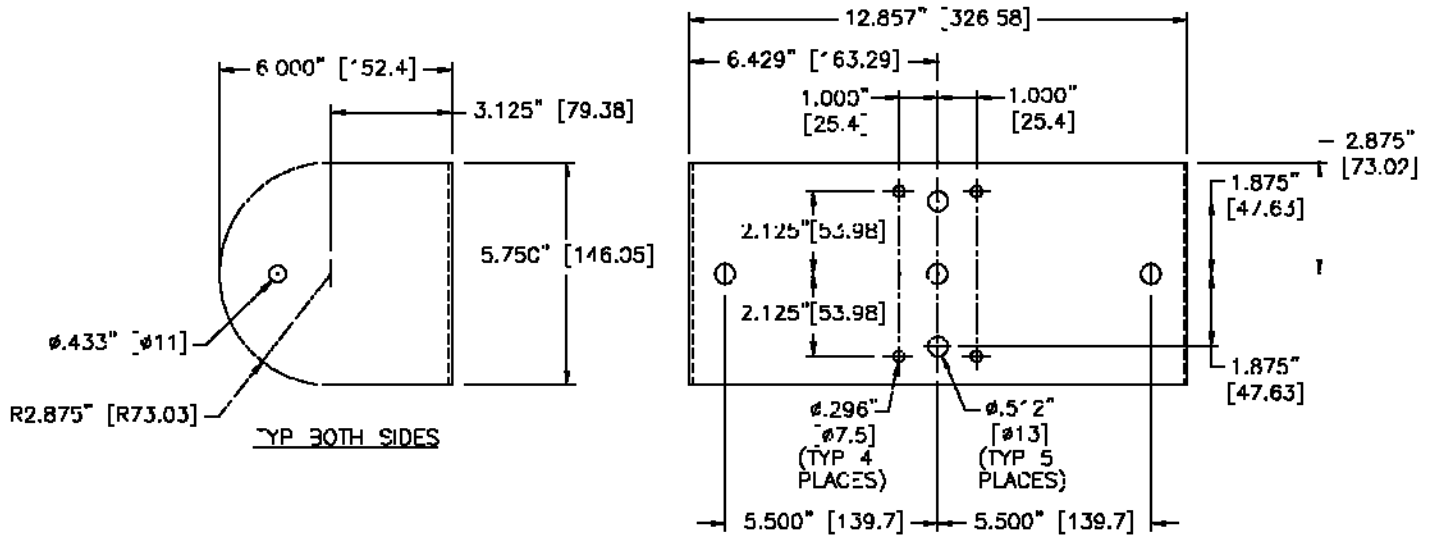


**Danger:** All rigging points on each enclosure must be fitted with either optional mounting hardware or they must remain sealed with the flat-head Allen screws that come installed in the enclosure. The flat-head Allen screws pass through the plywood panels and fasten to internal steel rigging brackets, thereby providing structural integrity. Without these Allen screws, the structural integrity of the plywood enclosure would rely solely on the adhesion of the glue joints, which over time could deteriorate. Therefore, ***all rigging fittings must have fasteners in place*** so that the enclosure may be safely mounted. Additionally, if the rigging fittings are not sealed, air leaks will occur in the enclosure that will compromise the low frequency performance with distortion and reduced output.

## MX-Y8 Yoke Diagram



## MX-Y10 Yoke Diagram



**Caution:** Installation of loudspeakers should only be performed by trained and qualified personnel. It is strongly recommended that a licensed and certified professional structural engineer approve the mounting design.



**Community Professional Loudspeakers**  
333 East Fifth Street, Chester, PA 19013 USA  
Phone (610) 876-3400 | Fax (610) 874-0190  
[www.communitypro.com](http://www.communitypro.com)