

etherCON

Ruggedized RJ45 Data Connector

etherCON provides solutions for data transfer in harsh and demanding applications. These connectors are especially applicable for Ethernet networking in audio, commercial, entertainment, live stage production, DMX lighting, industrial and outdoor internet access environments.

The etherCON series offers tailor-made products to suit all state-of-the-art transmission classes like CAT6A, CAT6, CAT5e as well as class D according to TIA / EIA 568C.2 and ISO / EC 11801 respectively EN 50173-1 standard. The broadly based product range includes male cable carriers, assembled female receptacles, feedthrough jacks, cable couplers and shielded versions with or without illumination possibilities by LEDs. For pre-assembled RJ45 cables Neutrik offers a rugged diecast metal shell as a male cable carrier, which does not require the re-termination of the cable assembly.

Female chassis receptacles are based on the well known Neutrik "A & B" series as well the "D" series of XLR receptacles with either secure latching system or push pull locking (CAT6) – features not found on other RJ45 receptacles. Terminations available do include horizontal and vertical PCB mount or IDC. Ingress protection of IP 54 is achieved on the CAT 5 version by assembling the waterproof sealing kit SE8FD while CAT 6 versions are IP 65 rated as standard and at the new CAT6A range it is customers choice to use the IP 65 protected receptacles or the unprotected versions.



Rugged diecast shell



Feedthrough



IDC Version



IP 65 Protected

etherCON

etherCON CAT6A Series



NE8MX6



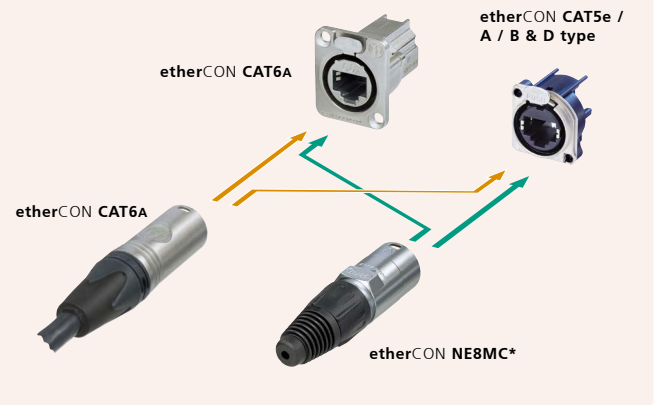
NE8FDX-P6



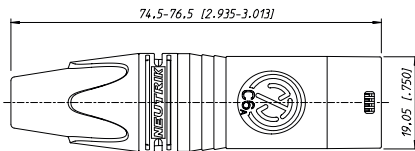
NE8FDX-Y6-W

- Ruggedized connector range with CAT6A component compliance according to ISO / IEC 11801 respectively EN50173-1 and CAT6A according to TIA / EIA 568-C.2
- D-size chassis connector for IDC self-termination or as feedthrough adapter
- IP 65 protected version available
- PoE+ compliant according to 802.3at Type2
- Downwards compatible with the existing etherCON CAT5 range

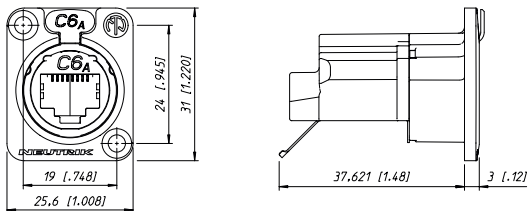
CAT6A / CAT5* compatibility:



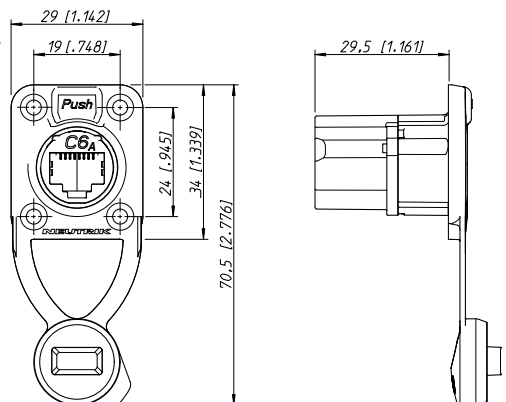
NE8MX6



NE8FDX-Y6



NE8FDX-P6-W



Technical Data

		Receptacle	Cable connector
Electrical			
Number of contacts	8	●	●
Rated current per contact	1.5 A	●	●
TIA / EIA rating	CAT6A	●	●
IEC / ISO / EN rating	CAT6A	●	●
Input to output resistance	< 200 mΩ	-	-
Insulation resistance	> 500 MΩ	●	●
Dielectric strength	1 kV dc	●	●
PoE + acc. IEEE 802.3at		●	●

Materials

Housing	Zinc diecast	●	●
Adapter	Polyamide PA 6	-	-
Strain relief clamp	POM	-	●
Contacts	Bronze CuSn	-	-
	Spring steel	●	●
Contact surface	Gold	●	●
Bushing	PU / PA	-	●

Mechanical

Retention method	Latch Lock	●	●		
Life time (mating cycles)	> 1'000	●	●		
Cable O.D. range	7.0 - 9.5 mm	●	●		
Wire size	solid	NE8FDX-Y6(-B)(-W):	AWG 26/1 - 22/1	NE8MX6(-B):	AWG 24/1 - 22/1
	stranded wire		AWG 26/7 - 22/7		AWG 24/7 - 22/7
Insulation diameter			> 0.85 - 1.6 mm		> 1.10 - 1.60 mm
Wire size	solid	-		NE8MX6(-B)-T	AWG 26/1 - 24/1
	stranded wire	-			AWG 27/7 - 24/7
Insulation diameter		-			> 0.85 - 1.10 mm

Environmental

Operating temperature / Storage temperature	-40 °C to +70 °C	●	●
Flammability	UL94V-0	●	●
Protection class	IP 65 in combination with "-W" receptacle	●	●

Ordering Information

Cable Connector		Receptacle	
NE8MX6	CAT6A, nickel plating, ≥ AWG 24	NE8FDX-P6	CAT6A shielded feedthrough, nickel plating
NE8MX6-B	CAT6A, black plating, ≥ AWG 24	NE8FDX-P6-B	CAT6A shielded feedthrough, black plating
NE8MX6-T	CAT6A, nickel plating, ≤ AWG 24	NE8FDX-Y6	CAT6A shielded IDC, nickel plating
NE8MX6-B-T	CAT6A, black plating, ≤ AWG 24	NE8FDX-Y6-B	CAT6A shielded IDC, black plating
		NE8FDX-P6-W	CAT6A shielded feedthrough, with integrated rubber sealing cap, IP 65
		NE8FDX-Y6-W	CAT6A shielded IDC, with integrated rubber sealing cap, IP 65

Accessories and Assembly Tools

HTXX-14	Handtool to tighten the NE8MX6* bushing	XXR*	Colored coding ring (see page 38)
HX-CAT6A	Parallel press tool for etherCON CAT6A Series	XXCR	Translucent coding ring (see page 38)