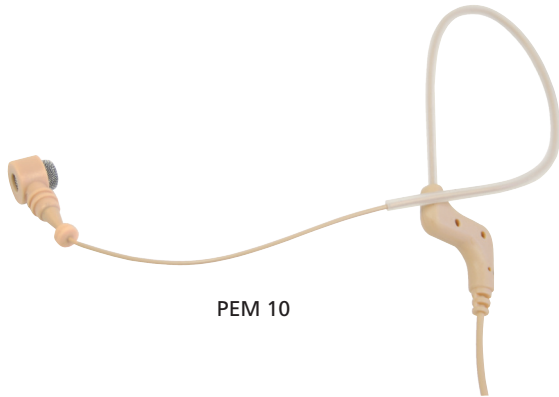
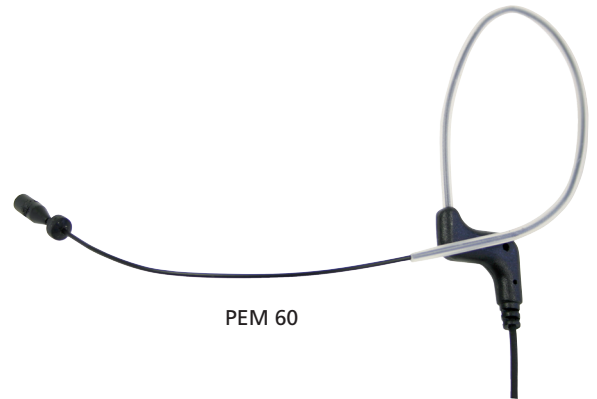


# PEM 10 / PEM 60

Condenser Microphones



PEM 10



PEM 60

## FEATURES

- PEM 10 with cardioid polar pattern
- PEM 60 with omnidirectional polar pattern
- Lightweight, flexible ear loop
- Suitable for spectacle wearers
- Unobtrusive design in black or beige
- Suitable for use with beltpack transmitters
- Supplied with pop shield

## APPLICATIONS

The PEM 10 / PEM 60 has been designed for "hands free" applications with wireless systems and is ideal for sales and product seminars, workshops, entertainers, dancers, drummers, keyboard players etc. It is also suitable for musicals and theatre use or for guided tours through museums, galleries or factories when using a wireless system.

Featuring a small yet rugged ear loop, the PEM 10 / PEM 60 is also suitable for spectacle wearers.

Due to its cardioid polar pattern the PEM 10 features a high gain before feedback and eliminates rear sound. The PEM 60 provides an omnidirectional polar pattern and is insensitive to handling and wind noise.

## VERSIONS

- PEM 10.16 BLK Earworn cardioid condenser microphone, 4-pin LEMO connection for TTS 300, with pop shield, black . . . . . Order # 484.997
- PEM 10.16 SC same as above, but beige. . . . . Order # 484.989
- PEM 10.18 BLK Earworn cardioid condenser microphone, 4-pin mini XLR connection for Opus 900, with pop shield, black . . . . . Order # 485.039
- PEM 10.18 SC same as above, but beige. . . . . Order # 485.020

## TECHNICAL SPECIFICATIONS

Transducer type . . . . .	Condenser (electret)
Operating principle PEM 10 . . . . .	Pressure gradient
Operating principle PEM 60 . . . . .	Pressure
Frequency response . . . . .	20 - 20,000 Hz
Polar pattern . . . . .	PEM 10: cardioid PEM 60: omnidirectional
Open circuit voltage at 1 kHz. . . . .	PEM 10: 4.2 mV/Pa PEM 60: 4.1 mV/Pa
Nominal impedance. . . . .	1.1 k $\Omega$ + 30% (at 1 kHz)
Max. SPL at 1 kHz for k = 0.1% . . . . .	PEM 10: 130 dB SPL PEM 60: 124 dB SPL
Signal-to-noise ratio rel. to 1 Pa . . . . .	PEM 10: 56 dB PEM 60: 57 dB
A-weighted equivalent SPL . . . . .	PEM 10: 38 dB SPL PEM 60: 37 dB SPL
Supply voltage . . . . .	1 - 10 V (RL = 2.2 k $\Omega$ )
Connection PEM 10.16 bzw. PEM 60.16 . . . . .	4-pin LEMO
PEM 10.18 bzw. PEM 60.18 . . . . .	4-pin Mini XLR
Cable length . . . . .	1 m
Weight (with cable and plug) . . . . .	18 g

- PEM 60.16 BLK Earworn omnidirectional condenser microphone, 4-pin LEMO connection for TTS 300, with pop shield, black . . . . . Order # 484.970
- PEM 60.16 SC same as above, but beige. . . . . Order # 484.962
- PEM 60.18 BLK Earworn omnidirectional condenser microphone, 4-pin mini XLR connection for Opus 900, with pop shield, black . . . . . Order # 485.012
- PEM 60.18 SC same as above, but beige. . . . . Order # 485.004

### Germany

beyerdynamic GmbH & Co. KG  
Theresienstr. 8 · 74072 Heilbronn – Germany  
Tel. +49 (0)7131 / 617-0 · Fax +49 (0)7131 / 617-224  
info@beyerdynamic.de · www.beyerdynamic.de

### United States

beyerdynamic Inc. USA  
56 Central Ave. · Farmingdale, NY 11735  
Tel. +1 (631) 293-3200 · Fax +1 (631) 293-3288  
salesUSA@beyerdynamic.com · www.beyerdynamic.com

### Great Britain

beyerdynamic U.K. Ltd.  
17 Albert Drive · Burgess Hill RH15 9TN  
Tel. +44 (0)1444 / 258258 · Fax +44 (0)1444 / 258444  
sales@beyerdynamic.co.uk · www.beyerdynamic.co.uk

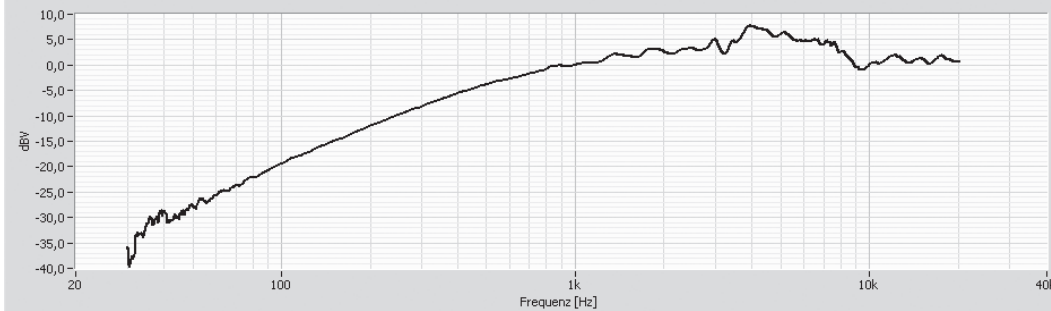
# PEM 10 / PEM 60



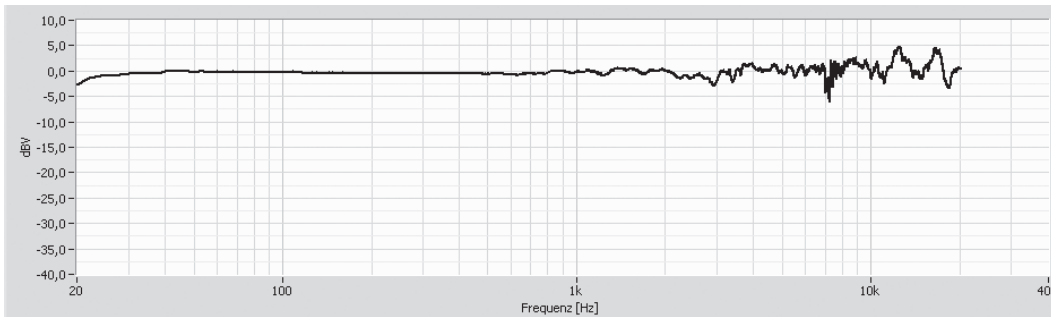
## FREQUENCY RESPONSE & POLAR PATTERN

These frequency response curves (measuring tolerance  $\pm 2.5$  dB) and polar patterns correspond to a typical production sample for these microphones.

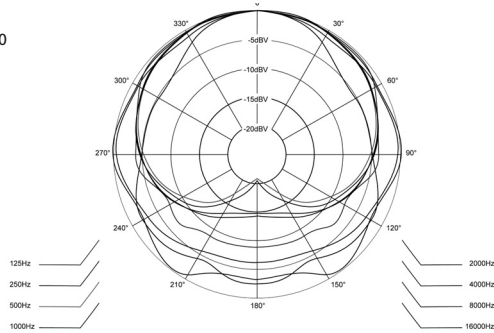
### PEM 10



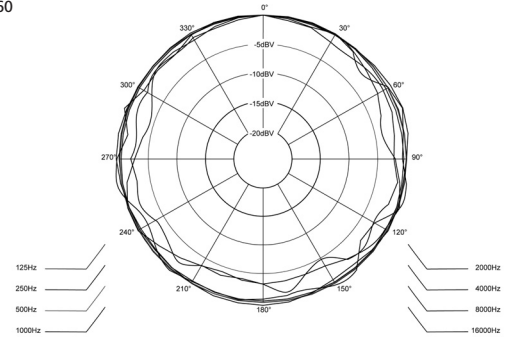
### PEM 60



### PEM 10

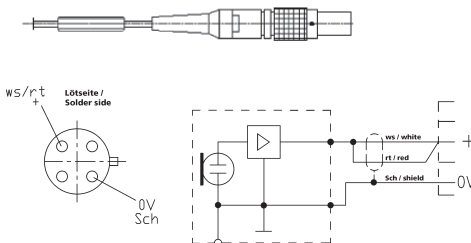


### PEM 60



## WIRING DIAGRAMS

### .16 Version



### .18 Version

