

SPECIFICATIONS

Loudspeaker Type:	2-way horn loaded coaxial, weather-resistant
Operating Range:	90 Hz to 16 kHz 110 Hz to 10 kHz (± 4 dB)
Max Input Ratings:	200W continuous, 500W program 40 volts RMS, 89 volts momentary peak
Recommended Power Amplifier:	420W to 600W @ 8 ohms
Sensitivity (1W/1m):	105 dB SPL (100 Hz to 16 kHz 1/3 octave bands) 106 dB SPL (250 Hz to 4 kHz speech range)
Maximum Output:	128 dB SPL / 135 dB SPL (peak)
Nominal Impedance:	8 ohms
Minimum Impedance:	5.7 ohms @ 230 Hz
Nominal -6dB Beamwidth:	60° H (+18° / -20°, 1 kHz to 16 kHz) 60° V (+13° / -16°, 1 kHz to 16 kHz) 100° H x 100° V (400 Hz)
Axial Q / DI:	20.3 / 13.1, 1 kHz to 16 kHz
Crossover Frequency:	1.2 kHz
Recommended Signal Processing:	90 Hz high pass filter
Drivers:	LF 1 x 12" weather-treated, Ferrofluid-cooled HF 1 x 1" exit, titanium diaphragm
Driver Protection:	PowerSense™ DDP
Input Connection:	12 foot (4 m) SJOW #16 gauge
Controls:	None
Enclosure:	Hand-laminated fiberglass, light grey gelcoat
Mounting/Rigging Provisions:	(5) 1/2-13 rigging points
Grille:	3-layer WeatherStop™, light grey (Zinc-rich epoxy dual-layer powder coated perforated steel grille, foam, woven poly mesh)
Environmental Performance:	IEC529 IP55W rating with a minimum 5-degree downward aiming angle
Required Accessories:	90 Hz high pass filter
Supplied Accessories:	SSYR1 yoke bracket, light grey
Optional Accessories:	TRC400 400-watt 70/100/140-volt transformer
Dimensions—Height:	24.75 inches (629 mm)
Width:	24.75 inches (629 mm)
Depth:	29.75 inches (756 mm)
Weight (without yoke):	47.5 lbs (21.5 kg)
Weight (with yoke):	55.5 lbs (25.2 kg)
Shipping Weight:	75 lbs (34 kg)

NOTES:

1. Sensitivity: Free field pink noise measurement at 40 ft (12.2 m) at 25% power; extrapolated to 1 meter and an input of 2.83 volts RMS.
2. Watts: All wattage figures are calculated using the rated nominal impedance.



APPLICATIONS

- Convention centers, ballrooms, arenas, malls
- Athletic fields, small arenas, athletic field houses
- Theme and amusement parks
- Fairgrounds, rodeos, air shows
- Racing tracks, skating rinks, swimming pools
- Electronic carillons
- Cruise ships
- Portable sound systems

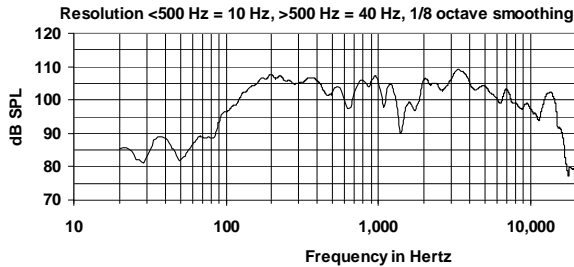
FEATURES

- Weather-resistant, all-fiberglass enclosure
- Weather-treated drivers and crossovers
- Corrosion-resistant zinc-rich epoxy dual-layer powder coated steel grille and yoke
- Pattern control to below 500 Hz
- High efficiency
- Integral mounting points
- High power passive crossover
- High-fidelity, full-range reproduction of music and speech
- Application-specific coverage pattern
- Optional "indoor" version available with a black enclosure and no grille (model R1-64BNG)
- Five-year product warranty / Fifteen-year enclosure warranty

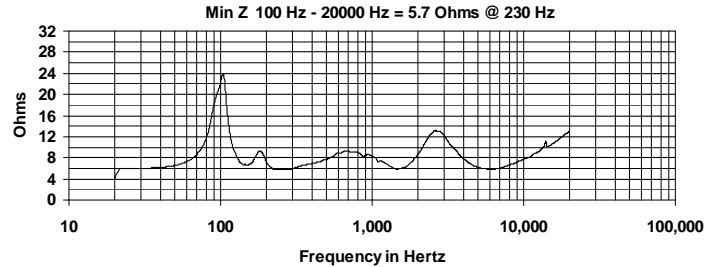
DESCRIPTION

The R1-66Z two-way full-range loudspeaker system is engineered to provide quality full-range sound projection in a variety of outdoor and indoor applications. Its wide range, smooth frequency response and high efficiency ensures both high fidelity music reproduction and superb projection of clear intelligible speech with very low distortion. The R1 loudspeakers are available in two versions. The standard version is weather-ready, with a WeatherStop™ grille and light grey finish. The BNG version, with black exterior and no grille, is more suitable for indoor applications. A weather-resistant mounting yoke is included.

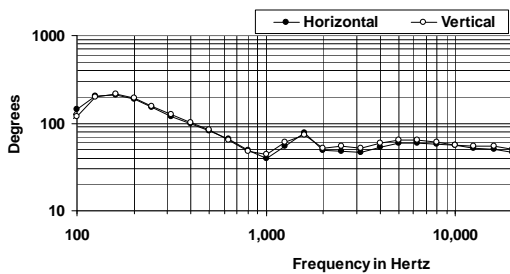
FREQUENCY RESPONSE



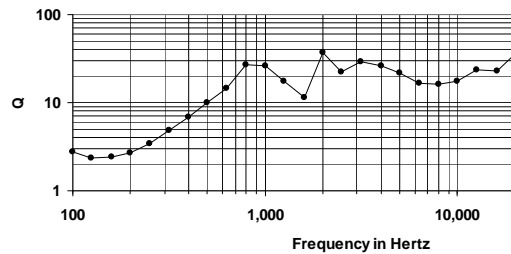
IMPEDANCE



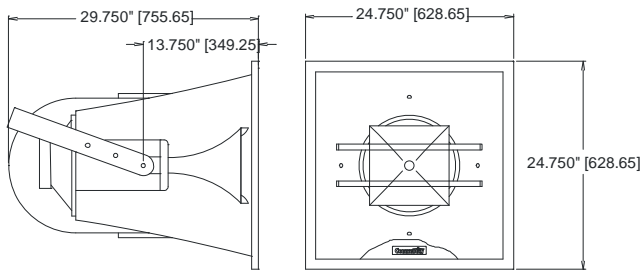
BEAMWIDTH



AXIAL Q

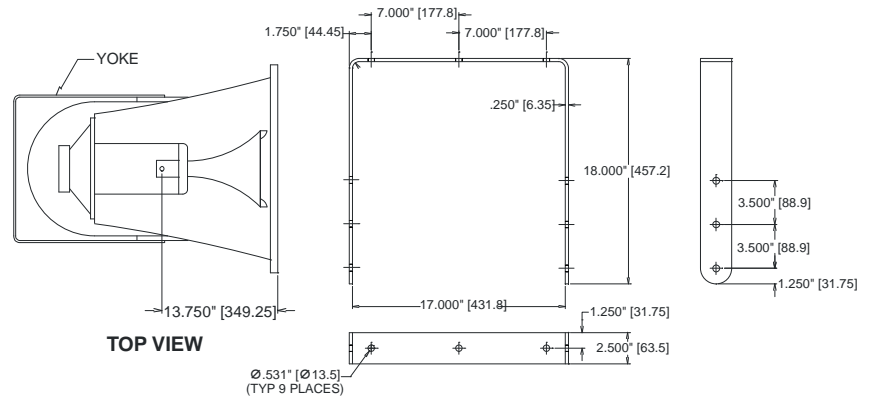


DIMENSIONS



SIDE VIEW

FRONT VIEW



TOP VIEW

R1 YOKE

ARCHITECTURAL SPECIFICATIONS

The loudspeaker system shall be a horn-loaded, two-way, full-range co-axial design with one 12" Ferrofluid-cooled woofer treated with moisture repellant on a bass horn and one 1" exit HF driver with a titanium diaphragm mounted on a fiberglass horn built within the bass horn. Drivers shall be connected to an integral crossover with a crossover frequency of 1200 Hz and integral over-current protection circuitry using high positive current coefficient resistors. The input connection shall be one 16-2 12-foot (4m) SJOW cable with stripped ends. The loudspeaker enclosure shall be an integral double-wall weather-sealed light grey fiberglass bell with a three-layer weather-resistant grille. The steel grille shall be powder coated with a proprietary zinc-rich epoxy dual-layer powder coating process in light grey to color match the enclosure. The system shall have an IEC529 IP rating of IP55W with a minimum 5-degree downward aiming angle. There shall be five 1/2 - 13 threaded mounting points. The system shall have an amplitude response of 110 Hz to 10 kHz (+/- 4 dB), input capability of 40V RMS, 106 dB sensitivity at one meter / 2.83 V and 8 ohms nominal impedance. The nominal dispersion shall be 60°H x 60°V from 1 kHz to 16 kHz. The loudspeaker shall be 24.75 in. (629 mm) H x 24.75 in. (629 mm) W x 29.75 in. (756 mm) D and weigh 47.5 lbs. (21.5 kg).

Community strives to improve its products on a continual basis. Specifications are therefore subject to change without notice.