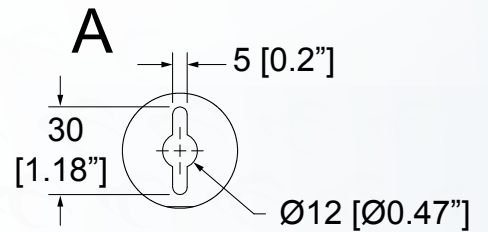
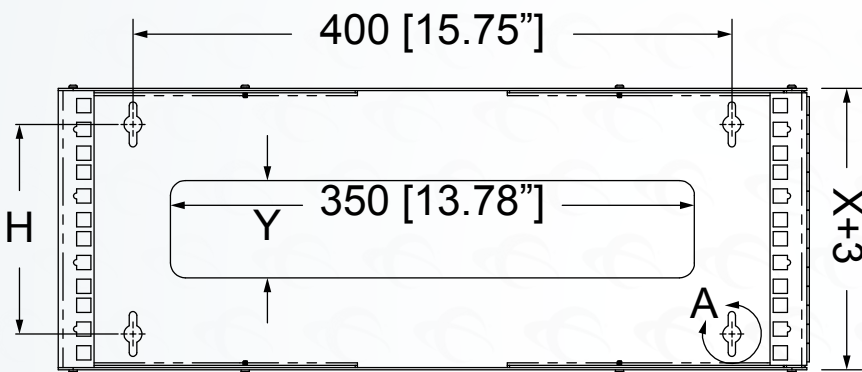
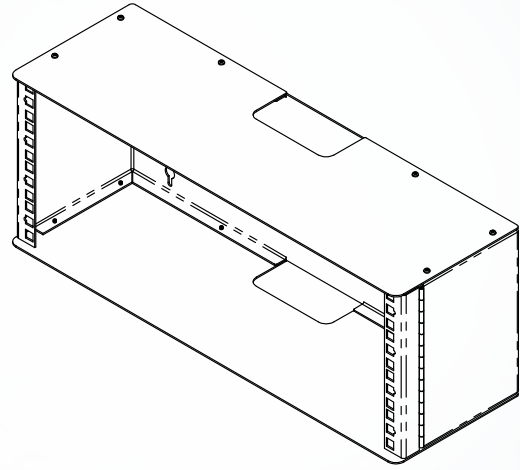
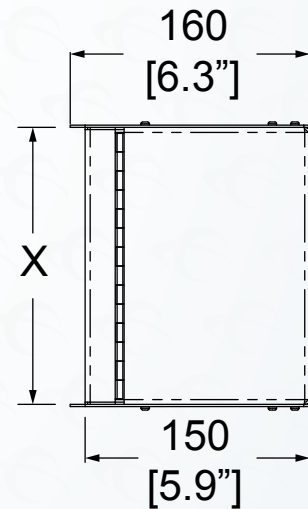
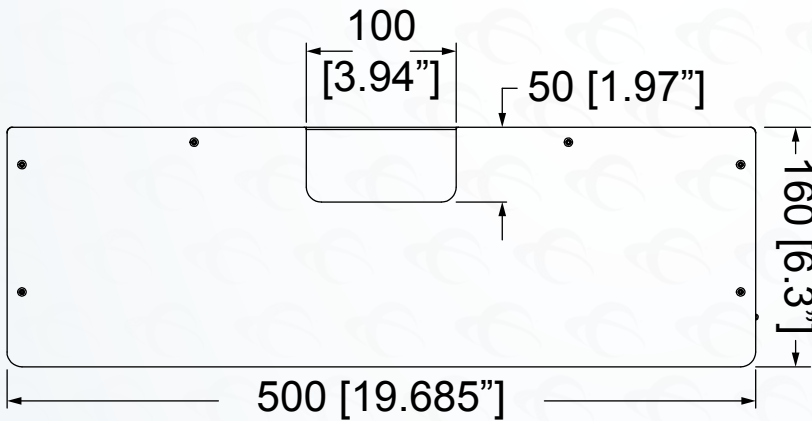


R2520 Series Wall Mount Racks with Hinged Rail



Mounting Holes



Part Number	X	Y	H
R2520-2U	96 [3.78"]	30 [1.18"]	55 ["]
R2520-3U	140 [5.51"]	30 [1.18"]	100 [3.94"]
R2520-4U	185 [7.28"]	65 [2.56"]	140 [5.51"]
R2520-5U	230 [9.05"]	110 [4.33"]	180 [7.09"]
R2520-6U	274 [10.79"]	154 [6.06"]	220 [8.66"]

X= Height of Enclosure

Y= Height of Back
Opening

H= Vertical distance
between mounting holes