

R6400-RHF Series - Rear Hinged Frame

*External rear hinged frame
for wall mount enclosures*



The new R6400-RHF rear hinged frame turns wall mount enclosures into hinged double section cabinets.

With a depth of only 152mm/ 6", the bracket is an unobtrusive fixture that can easily support the weight of a fully loaded rack, and enables it to securely swing away from the wall.


This gives installation professionals unrivalled accessibility to the rear of the rack, making it easier than ever to run cables, replace equipment parts, or keep up general maintenance of the rack's contents.

The slam shut system also creates an easy to use open/close function.

Available for 6U, 9U, 12U and 18U racks.

For use with:

R6425 - 250mm / 10" Deep Enclosures 

R6525 - 250mm / 10" Deep Enclosures 

R6400 - 400mm / 18" Deep Enclosures

R6600 - 600mm / 24" Deep Enclosures

EASY INSTALLATION - Convenient mounting bracket included

REVERSIBLE - Can be mounted to open on either the right or left hand side

SECURE - Key lock included with two keys

STRONG - Heavy duty hinges allow for the rack to be loaded up to 50kg / 110lb

USER-FRIENDLY - Top and bottom 1U cable knockouts for easy cable management

Turns R6425, R6525, R6400 and R6600 wall mount enclosures into hinged double section cabinets



R6400-RHF-6U

U size: 6 Units
Height: 366.7mm / 14.44"
Weight: 7.8kg / 17.2lb

For use with:
R6425-6U, R6525-6U,
R6406 and R6606
Wall Mount Enclosures



R6400-RHF-9U

U size: 9 Units
Height: 500mm / 19.69"
Weight: 9.1kg / 20.1lb

For use with
R6425-9U, R6525-9U,
R6409 and R6609
Wall Mount Enclosures



R6400-RHF-12U

U size: 12 Units
Height: 633.4mm / 24.94"
Weight: 10.5kg / 23.15lb

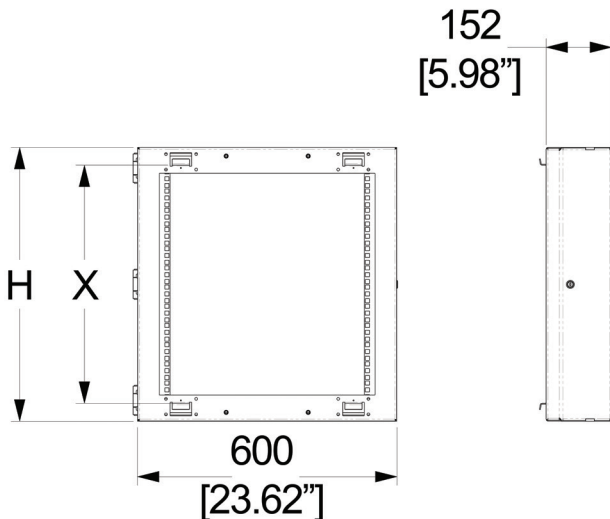
For use with
R6425-12U, R6525-12U,
R6412 and R6612
Wall Mount Enclosures



R6400-RHF-18U

U size: 18 Units
Height: 900mm / 35.43"
Weight: 12.9kg / 28.44lb

For use with
R6425-18U, R6525-18U,
R6418 and R6618
Wall Mount Enclosures



	Height (H)	Mounting (X)
R6400-RHF-6U	366.7mm / 14.44"	284.7mm / 11.2"
R6400-RHF-9U	500mm / 19.69"	418mm / 16.46"
R6400-RHF-12U	633.4mm / 24.94"	551.4mm / 21.71"
R6400-RHF-18U	900mm / 35.43"	818mm / 32.2"