

RFM

Rotating Mount for Flat-Panels up to 63"



37"-63"



160 lbs. (73 kg)



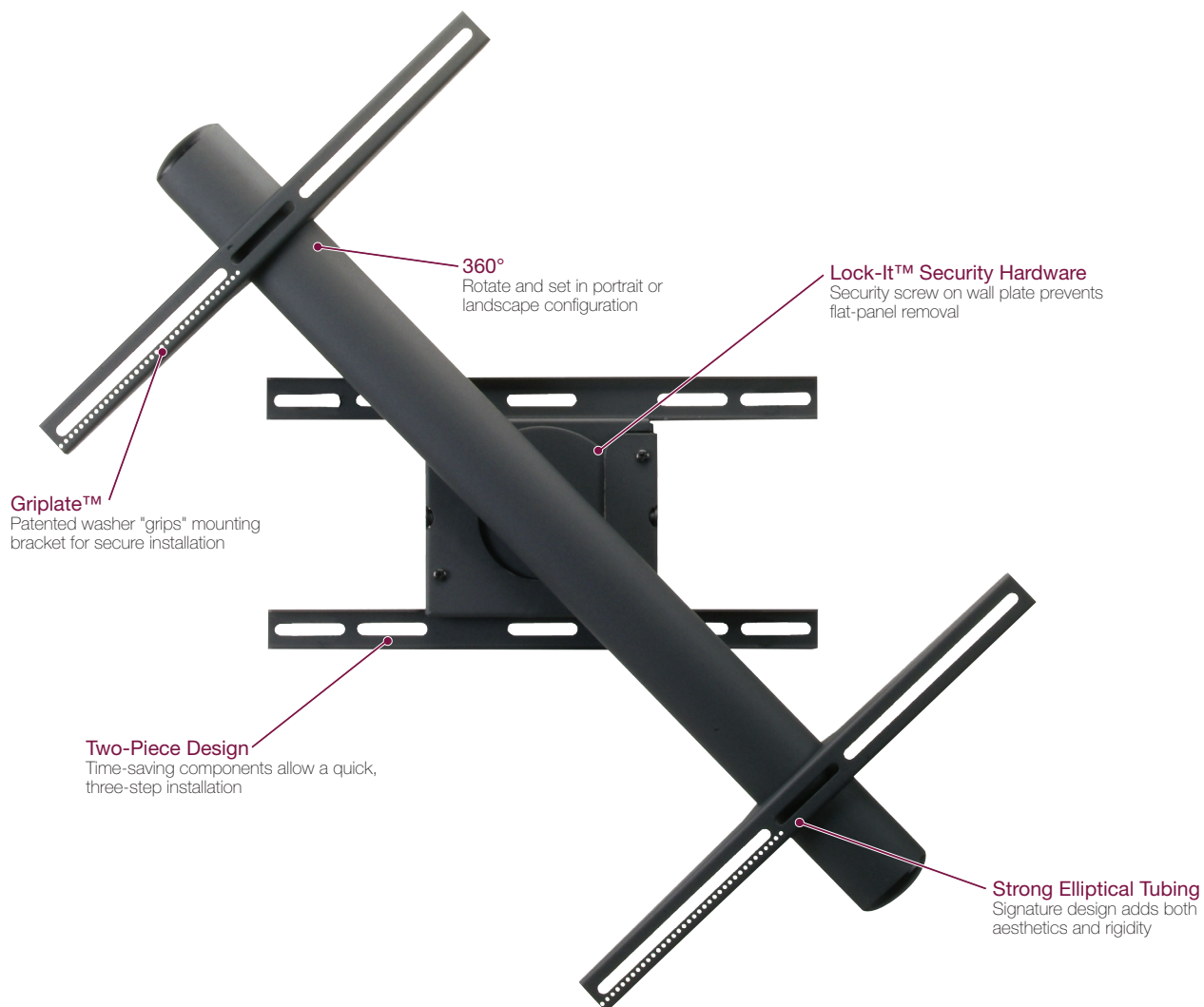
3.73" (95mm)



360°



870 x 505mm



Griplate™
Patented washer "grips" mounting bracket for secure installation

360°
Rotate and set in portrait or landscape configuration

Lock-It™ Security Hardware
Security screw on wall plate prevents flat-panel removal

Two-Piece Design
Time-saving components allow a quick, three-step installation

Strong Elliptical Tubing
Signature design adds both aesthetics and rigidity

FEATURES

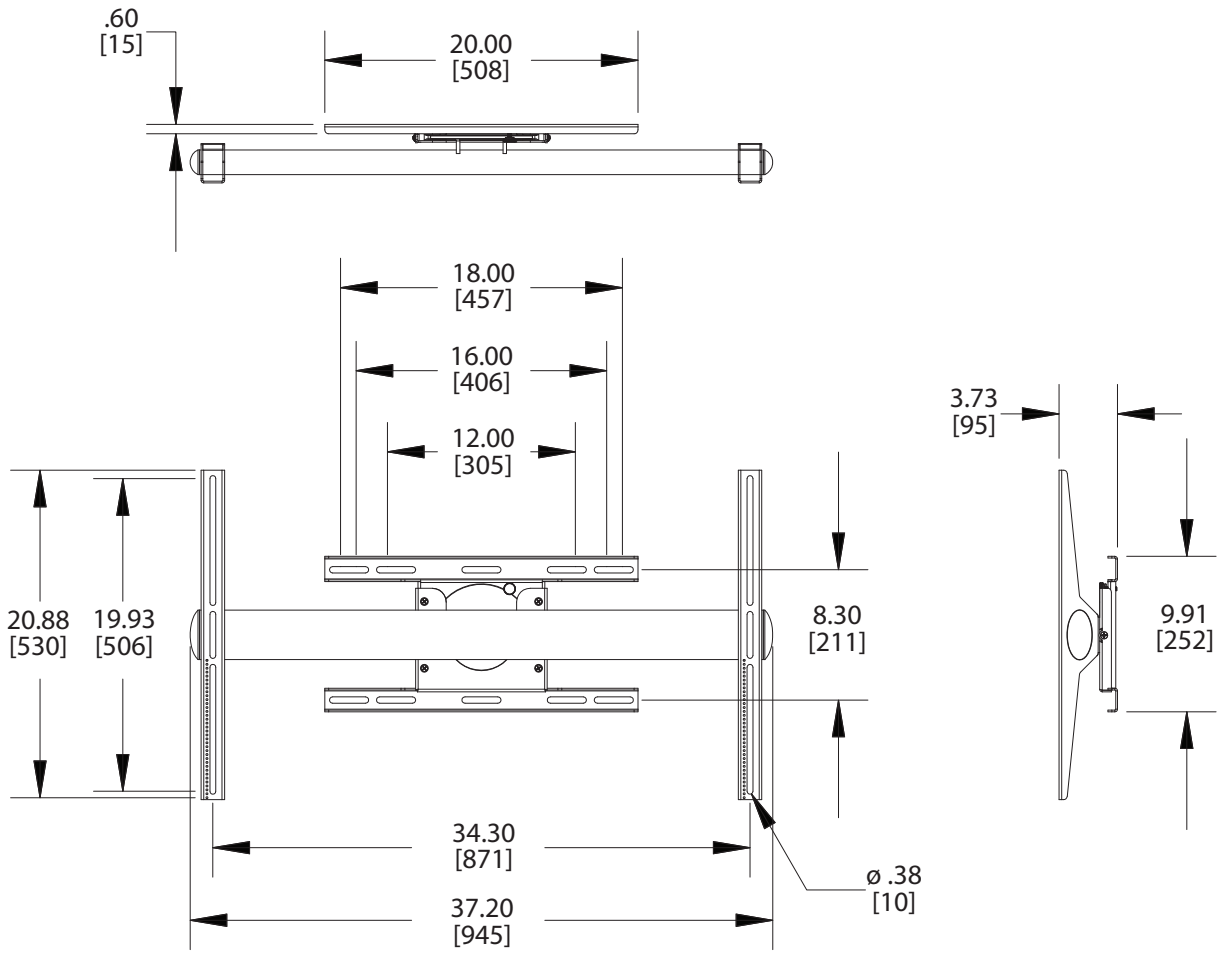
- Rotates freely, but can be tightened to stay put in portrait or landscape
- Two-piece design for fast assembly
- Features patented Griplate™ System
- Elliptical design adds rigidity and aesthetics
- Lock-It™ security hardware keeps flat-panel secure
- Universal hardware pack includes M4-M8 screws

SPECIFICATIONS

Model	RFM
Display Range	37"-63"
Weight Capacity	160 lbs. (73 kg)
Depth	3.73" (95mm)
Rotate	360°
Mounting Patterns	200 x 200mm (Min) - 870 x 505mm (Max)



DIMENSIONAL DRAWING



Dimensions in inches and millimeters [mm].
Drawings subject to change without notice.

ACCESSORY OPTIONS

GB-INWAVP

In-wall AV Power GearBox™



FAQ

Why would I want a wall mount that rotates?

Great for digital signage, the RFM allows you to change up your content and not be constrained by a landscape or portrait layout.

What is a Griplate™?

The Griplate™ System is a set of unique washers designed to hold M4-M8 hardware. They feature a small "dimple" which locks into small holes on the mounting brackets. This provides improved holding power and reduces reliance upon friction to hold your flat panel in position.

My flat-panel fits more than one mount. How do I choose?

Personal preference, aesthetics, flat-panel weight and range of motion should assist in whittling down your decision for you.