

SM7B Cardioid Dynamic Microphone

Overview

The SM7B is a selectable frequency response microphone that delivers warm and smooth audio in close-proximity studio and vocal applications. Optimized shielding from external electromagnetic hum, along with internal shock mounting, external windscreens and adjustable bass roll-off and mid-range emphasis response settings provide clean, consistent reproduction.

Features

- Flat, wide-range frequency response for exceptionally clean and natural reproduction of both music and speech
- Bass rolloff and mid-range emphasis (presence boost) controls with graphic display of response setting
- Improved rejection of electromagnetic hum, optimized for shielding against broadband interference emitted by computer monitors
- Internal "air suspension" shock isolation virtually eliminates mechanical noise transmission
- Highly effective pop filter eliminates need for any add-on protection against explosive breath sounds, even for close-up vocals or narration
- Now shipping with the A7WS detachable windscreen, designed to reduce plosive sounds and gives a warmer tone for close-talk vocals
- Yoke mounting with captive stand nut for easy mounting and dismounting provides precise control of microphone position
- Classic cardioid polar pattern, uniform with frequency and symmetrical about axis, to provide maximum rejection and minimum coloration of off-axis sound
- Rugged construction and excellent cartridge protection for outstanding reliability



SM7B

Available Models

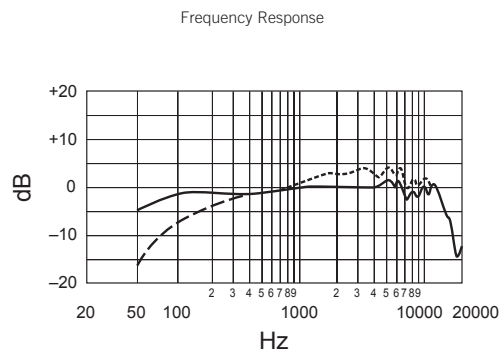
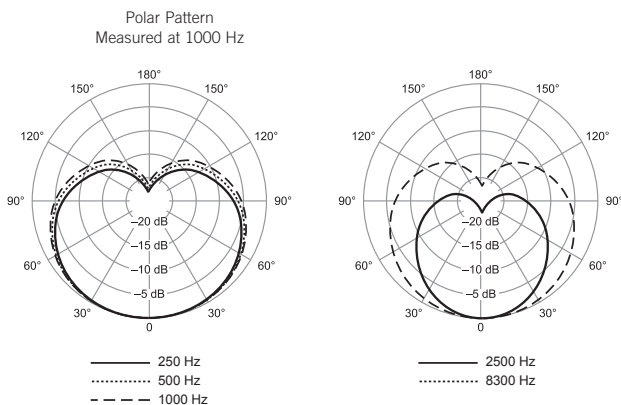
SM7B	Includes foam windscreen, close-talk windscreen, and locking yoke mount.
-------------	--

Specifications

Type	Dynamic
Frequency Response	50 to 20,000 Hz
Polar Pattern	Cardioid
Electromagnetic Hum Sensitivity (Typical, Equivalent SPL/milliOersted)	60 Hz: 11 dB 500 Hz: 24 dB 1 kHz: 33 dB
Impedance	150 Ω for connection to microphone inputs rated at 19 to 300 Ω
Output Level (at 1,000 Hz)	Open circuit voltage: -59.0 dB (1.12 mV) 0 dB = 1 volt per Pascal
Switches	Bass rolloff and mid-range emphasis: Slotted response selector switches
Cartridge Shock Mount	Internal air-suspension shock and vibration isolator
Microphone Connector	Three-pin professional audio (XLR)
Swivel Assembly	Integrated, captive nut for ease of attachment to stand, fits 5/8 in.-27 thread
Polarity	Positive pressure on diaphragm produces positive voltage on pin 2 relative to pin 3
Case	Dark gray enamel aluminum and steel case with dark gray foam windscreen
Weight	765.4

Optional Accessories and Replacement Parts

A7WS	Large close-talk windscreen	RPM106	Replacement cartridge	537A	Desk stand
RK345	Microphone windscreen				



SHURE[®]
LEGENDARY
PERFORMANCE™