

SM48 Cardioid Dynamic Microphone

Overview

The SM48 is a rugged cardioid dynamic microphone with great sound and durable construction for reliable use in spoken word and karaoke vocal performance applications. Available with or without an on/off switch, and comes with a swivel adapter and carrying pouch for many of the benefits of the SM58® at an affordable price.

Features

- Cardioid pickup pattern rejects off-axis sound and provides superior gain before feedback
- Frequency response tailored for vocals, with brightened midrange and bass rolloff to control proximity effect
- Shock-mounted cartridge for exceptional ruggedness and reduced handling noise
- Built-in pop filter that reduces explosive breath sounds and wind noise
- Supplied stand adapter and carrying/storage bag
- Lockable on/off switch (SM48S only)
- Legendary Shure quality and ruggedness

Available Models

SM48	Includes stand adapter and zippered pouch
SM48S	With lockable on/off switch. Includes swivel adapter and a zippered pouch

Specifications

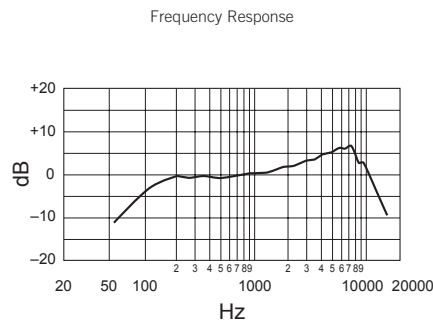
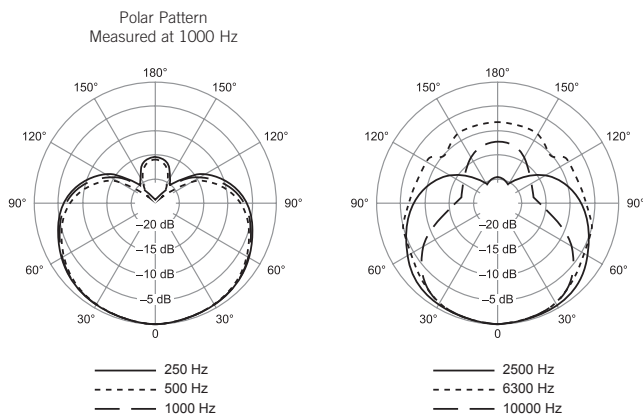
Type	Dynamic
Frequency Response	55 to 14,000 Hz
Polar Pattern	Cardioid
Impedance	Microphone rating impedance is 150 Ω (270 Ω actual) for connection to microphone inputs rated at 19 to 300 Ω
Output Level (at 1,000 Hz)	Open circuit voltage: *-57.5 dBV/Pa (1.3 mV) *1 Pa = 94 dB SPL
Polarity	Positive pressure on diaphragm produces positive voltage on pin 2 with respect to pin 3
Connector	Three-pin professional audio (XLR), male
Weight	370 g
Dimensions	166 mm L x 54.2 mm W



SM48

Optional Accessories and Replacement Parts

A25D	Microphone clip	A55M, A55HM	Isolation mount	C25F	7.6 m cable
A58WS	Windscreen	A26M	Dual mount	RK81S	On/off switch
R136	Cartridge	RK248G	Screen and grille assembly	RK40P	Plug assembly
S37A, S39A	Desk Stand				



SHURE[®]
LEGENDARY
PERFORMANCE™