

Desono™ Ceiling Loudspeaker Accessories High Humidity Grille **Installation Guide**

Biamp offers several sizes of High Humidity Grilles (GHH) suitable for the Desono CM ceiling loudspeakers. They are sold in 6-packs and can be installed on the ceiling loudspeaker by substituting the high humidity grille for the grille included with the unit. Please refer to the appropriate Installation and Operation guide for full installation instructions.

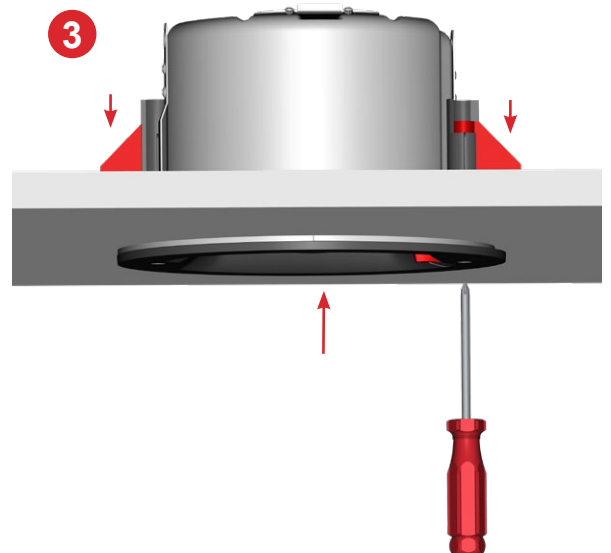
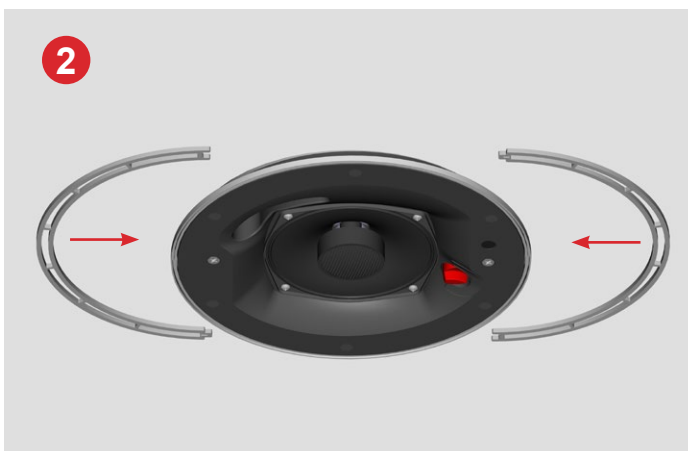
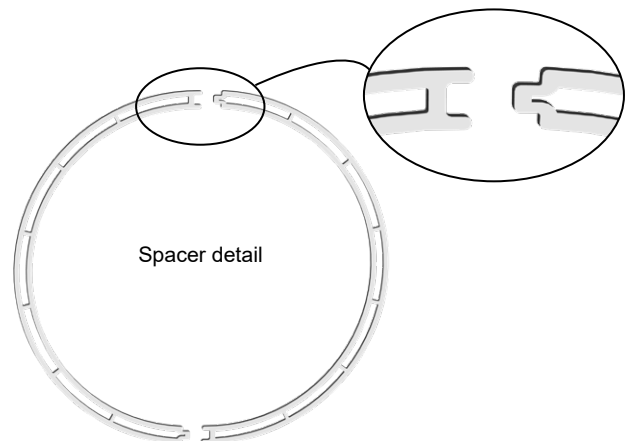
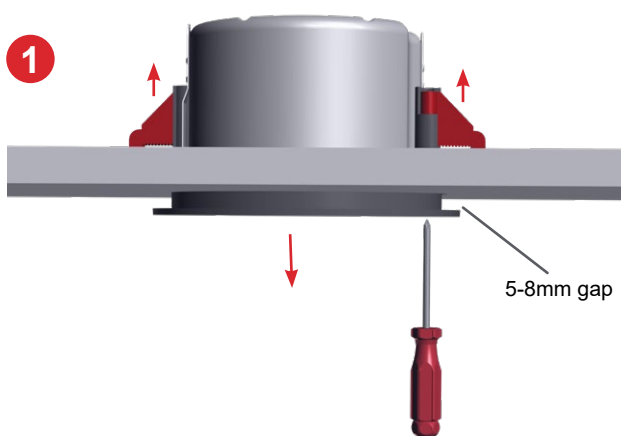


SPA-GHH
High Humidity Grille

Model	Fits
SPA-GHH100	CM20DTS, CM30DTD
SPA-GHH200	CM60DTD

Installation

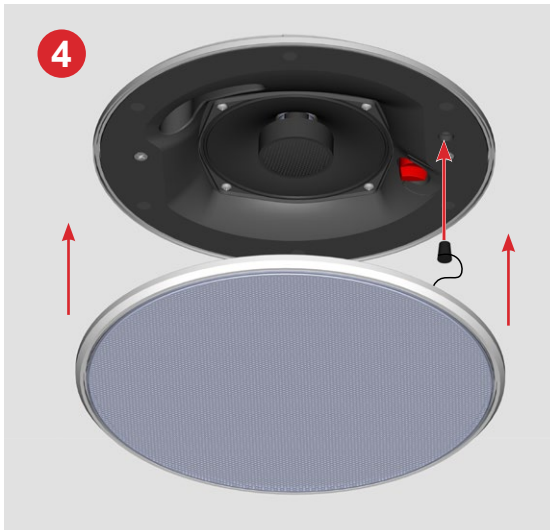
1. Install the loudspeaker without fully tightening the dog ears - leaving 5-8mm gap between the ceiling and loudspeaker face. Adjust tap settings as necessary.
Note: If the unit has been previously installed, remove the grille and lower the unit (about 5-8mm) by raising the dog ears.
2. Insert a spacer on each side between the ceiling and loudspeaker rim. Orient them so the tab fits into the recess on the opposing one- see circles in the spacer detail.
3. Support the loudspeaker and tighten the dog ears to clamp the spacers against the ceiling.



Typical installation (CM30DTD shown)

Installation (continued)

4. Insert the tether plug in the appropriate hole.
5. Click the grille ring onto the loudspeaker face. Press around the ring to ensure it is fully seated.



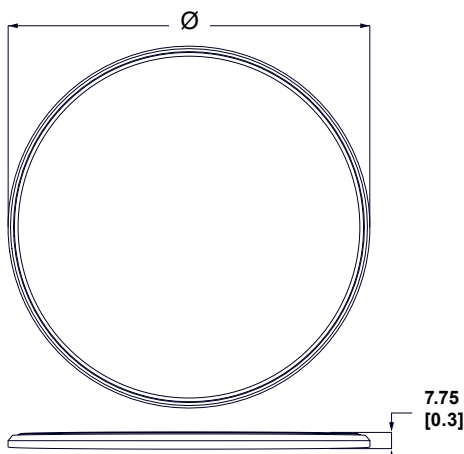
SPECIFICATIONS

Material / Finish: Powder-coated perforated Marine-grade aluminum backed with acoustically transparent color matched cloth. Color is RAL 9016.

Quantity per kit: Sold in 6-packs

Model	Fits	Ø Diameter mm [in]
SPA-GHH100	CM20DTS, CM30DTD	Ø 232 mm (9.14")
SPA-GHH200	CM60DTD	Ø 269mm (10.59")

Typical Grille



Scan this QR-code and navigate to your loudspeaker model to download the appropriate installation guide



bia.mp/DesonoCeiling_pubs

CONTACT US

Email: support@biamp.com

Web: support.biamp.com

Warranty: biamp.com/legal/warranty-information