

Desono™ Ceiling Loudspeaker Accessories Black Grille **Installation Guide**

Biamp offers several sizes of Black Grilles (GRB) suitable for the Desono CM ceiling loudspeakers. They are sold in 6-packs and can be installed on the ceiling loudspeaker by substituting the black grille for the white grille included with the unit. Please refer to the appropriate Installation and Operation guide for full installation instructions.

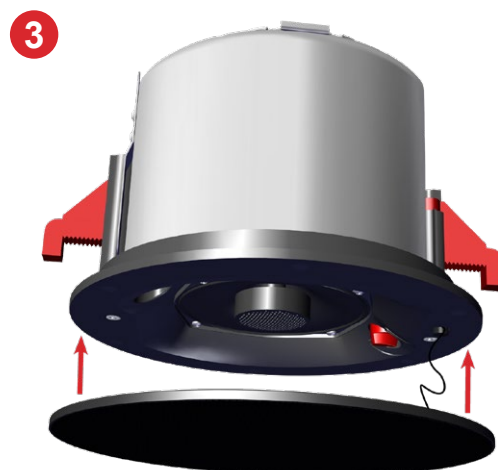
Installation

1. Install the loudspeaker per the instructions in the manual and adjust tap settings as necessary.
2. Attach the grille tether by inserting the tether plug in the hole in the loudspeaker face.
3. Position the grille against the outside ring. The magnets will hold the grille in place.



SPA-GRB Black Grille

Model	Fits
SPA-GRB100	CM20DTS, CM30DTD
SPA-GRB200	CM60DTD



Typical installation (CM30DTD shown)

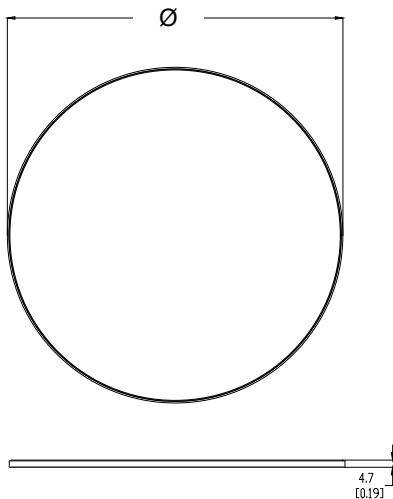
SPECIFICATIONS

Material / Finish: Powder-coated perforated steel backed with acoustically transparent color matched cloth. Color is RAL 9017.

Quantity per kit: Sold in 6-packs

Model	Fits	Ø Diameter mm [in]
SPA-GRB100	CM20DTS, CM30DTD	Ø 221 mm (8.69")
SPA-GRB200	CM60DTD	Ø 258mm (10.15")

Typical Grille



Scan this QR-code and navigate to your loudspeaker model to download the appropriate installation guide



bia.mp/DesonoCeiling_pubs

CONTACT US

Email: support@biamp.com

Web: support.biamp.com

Warranty: biamp.com/legal/warranty-information