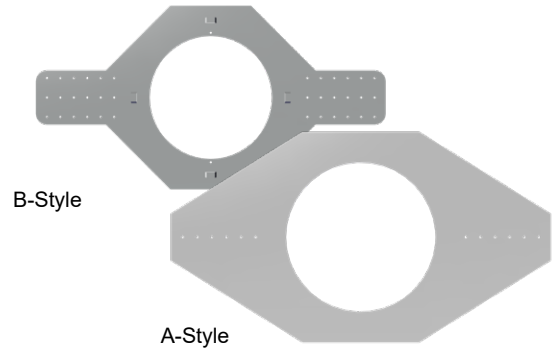


Desono™
Ceiling Loudspeaker Accessories
New Construction Bracket
Installation Guide



Biamp offers New Construction Brackets (NC) suitable for all Desono CM, C-IC6 and D Series ceiling loudspeakers. The illustrations below are a typical installation in a drywall ceiling. Please refer to the appropriate Installation and Operation guide for additional information on drywall ceiling installation methods, and preinstallation in a new drywall ceiling.

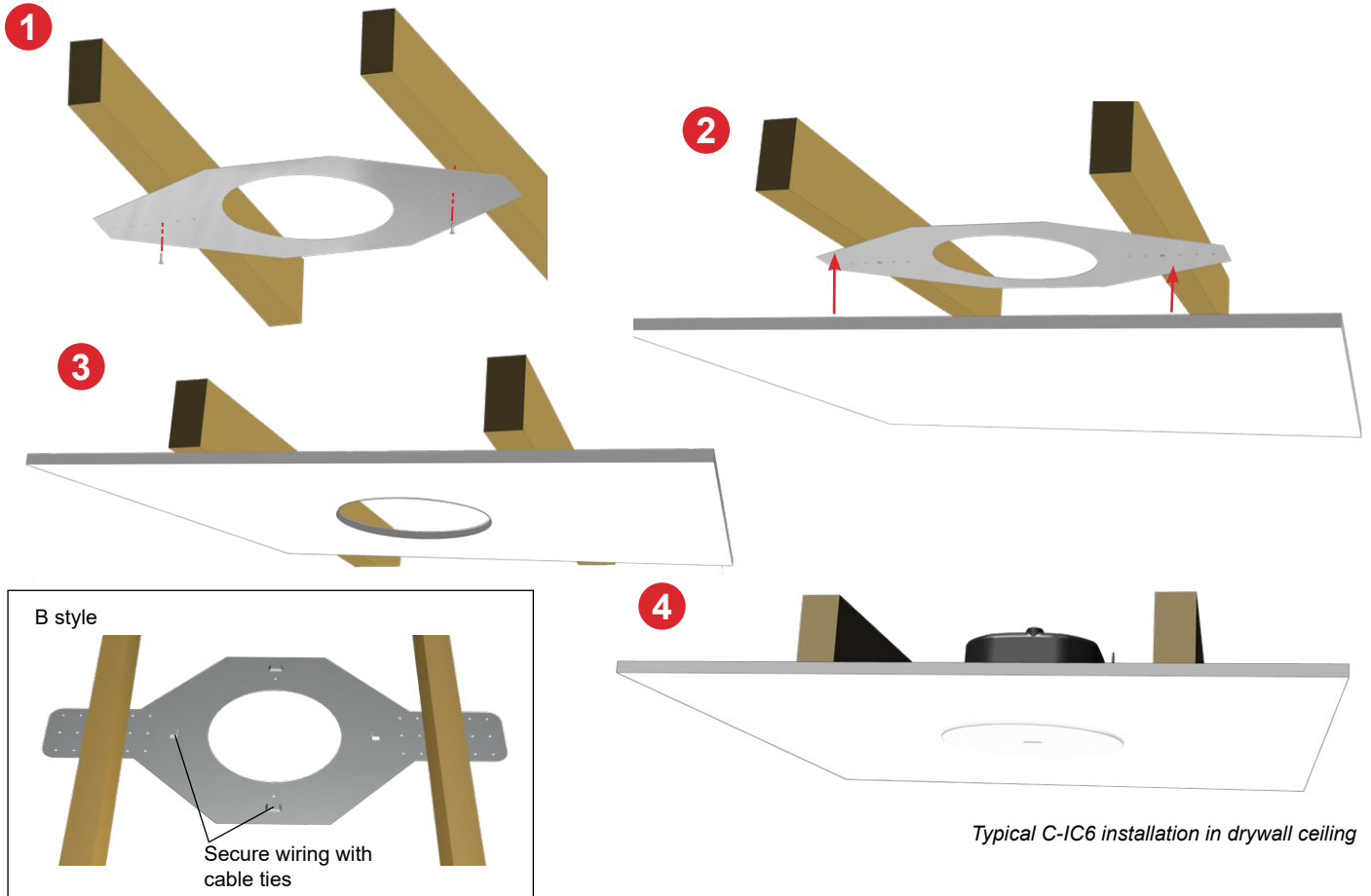


Installation

1. Fasten the bracket to the trusses. Run wire(s) to the location and secure them to the top of the bracket. B-style brackets have cleats to easily secure the wiring with cable ties before ceiling is installed - see box below
Note: Use of a stretched string or laser to align the brackets, rather than aligning to the truss is recommended.
2. Install drywall.
3. Cut out the hole.
4. Install ceiling loudspeaker after the ceiling is finished following installation guide for that model.

New Construction Bracket

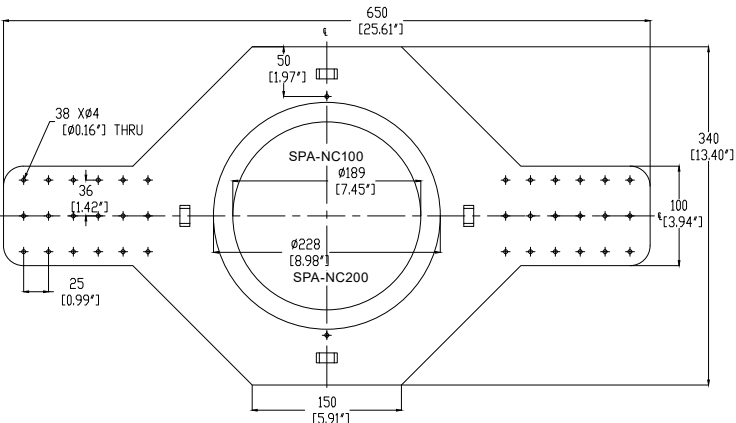
Model	Fits	Style
SPA-NC100	CM20DTS, CM30DTD	B
SPA-NC200	CM60DTD	B
D45-NCB	D4LP, D4, D5	A
D6-NCB	D6, D6-B, C-IC6	A
D8-NCB	D8	A
D10-NCB	D10, D10SUB	A



Typical C-IC6 installation in drywall ceiling

TECHNICAL DRAWINGS

SPA-NC100 / SPA-NC200



Exterior dimensions and hole placement are shared on the 3 drawings at left. The ID of the hole cutout is noted for each model.

SPECIFICATIONS

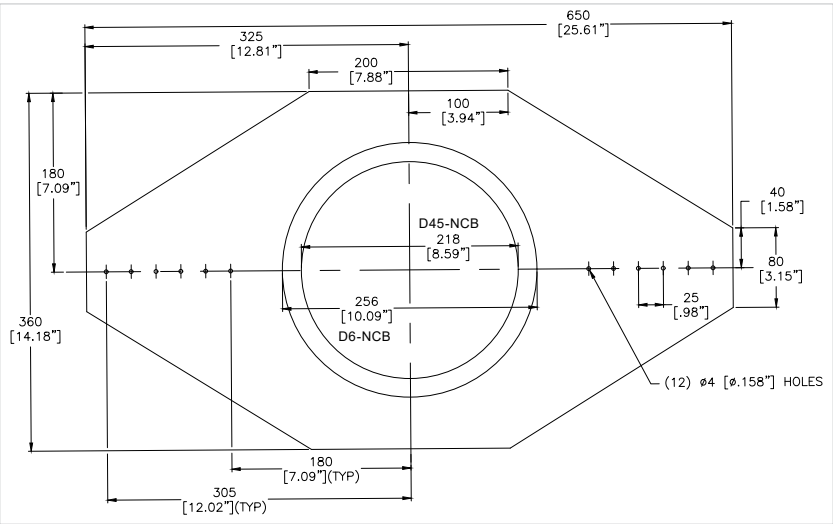
Material / Finish: 1 mm steel. / Bright zinc plate
Quantity per Kit: Sold in 6-packs

Scan this QR-code and navigate to your loudspeaker model to download the appropriate installation guide

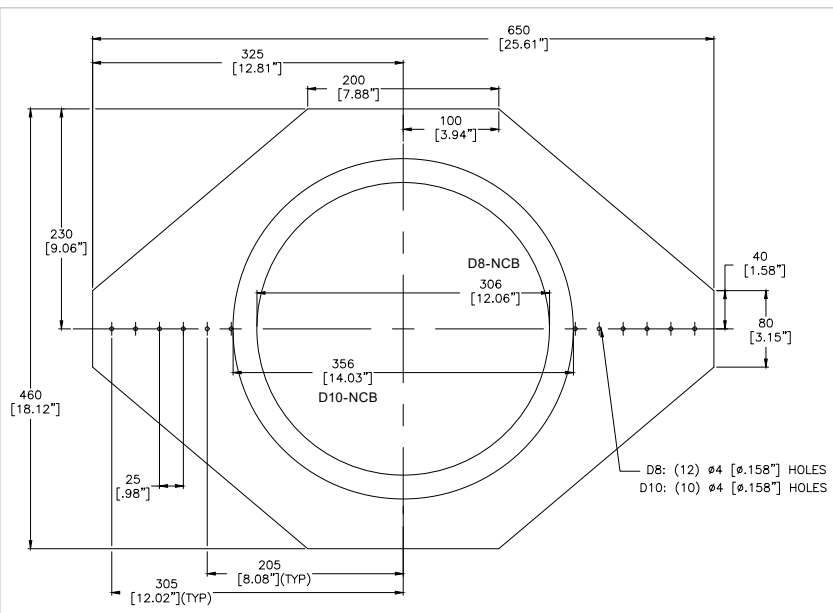


bia.mp/DesonoCeiling_pubs

D45-NCB / D6-NCB



D8-NCB / D10-NCB



Drawings not to scale

CONTACT US

Email: support@biamp.com
Web: support.biamp.com
Warranty: biamp.com/legal/warranty-information