

Desono™ Ceiling Loudspeaker Accessories Trim Ring

Installation Guide

Biamp offers four sizes of Trim Rings (TR) allowing the Desono CM, C-IC6 and D Series ceiling loudspeakers to fit in existing holes (up to 279mm [11"]) in the ceiling. The illustrations shown are typical installations in drywall and drop ceilings. Please refer to the appropriate Installation and Operation guide for additional information on installation methods.

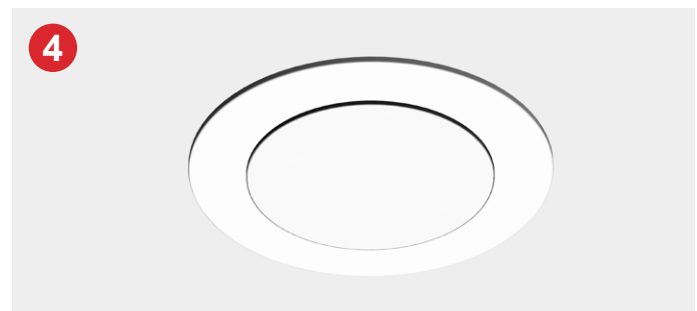
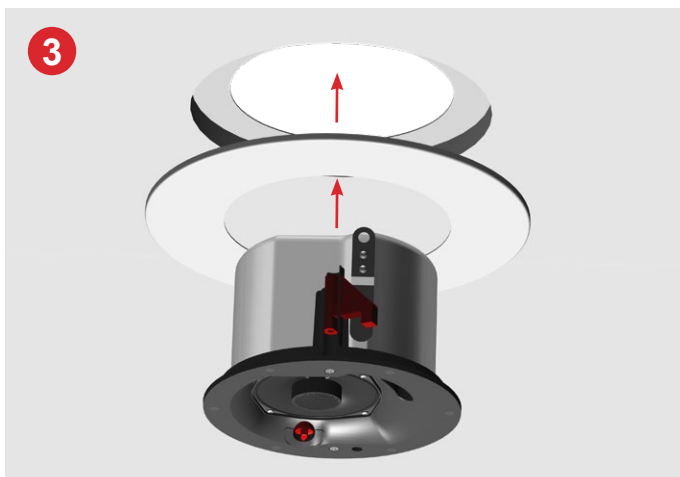
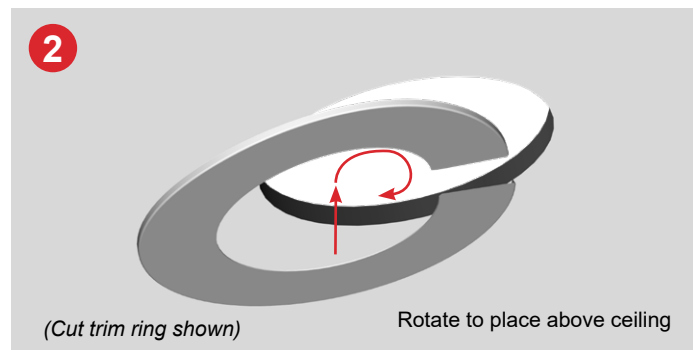
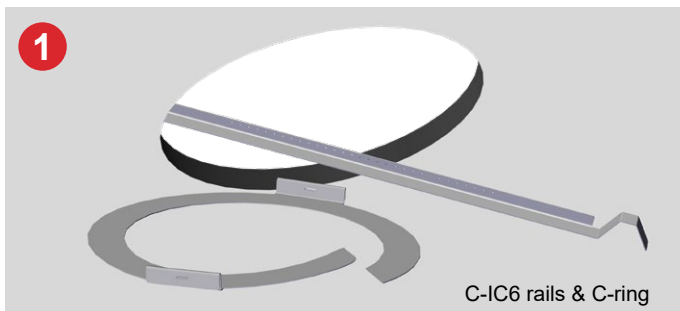
Drywall Ceiling Installation

1. **D & C-IC6:** If possible, insert tile rails (and C-Ring) into the ceiling and center on the opening. Using the tile rails spreads the weight better. If the ceiling won't accept a pair of tile rails, or if you are installing a CM model, a second trim ring can be used above the drywall to support the loudspeaker. Cut the trim ring to allow it to fit into the hole.

Note: If using D Series tile rails/C ring above the ceiling, cut the C-Ring to allow it to flex enough to turn it in through the ceiling.

2. Flex, insert and turn the C-ring or trim ring (rim up) to fit it above the ceiling. If applicable, attach the C-ring to the rails. Center the ring in the opening.
3. With the dog ears moved up and rotated in, insert the loudspeaker up through a trim ring and into the ceiling.

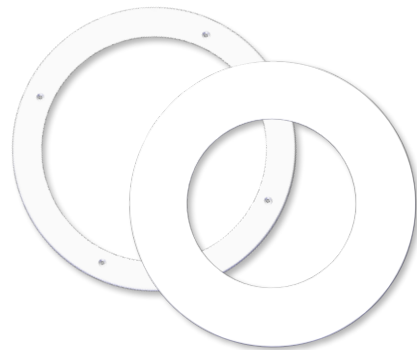
Note: D Series CATR only - Insert plugs in the holes in the trim ring before installing to preserve smooth appearance.



Scan this QR-code and navigate to your loudspeaker model to download the appropriate installation guide



bia.mp/DesonoCeiling_pubs



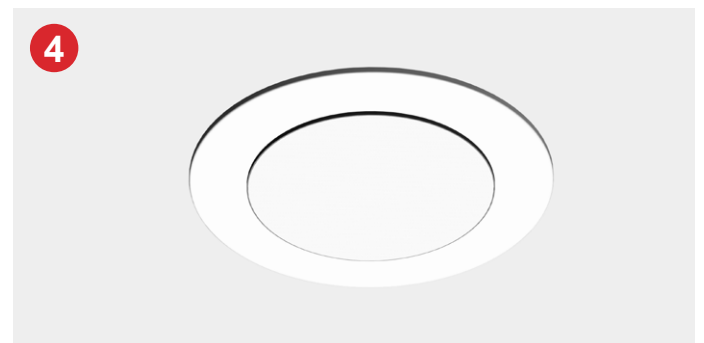
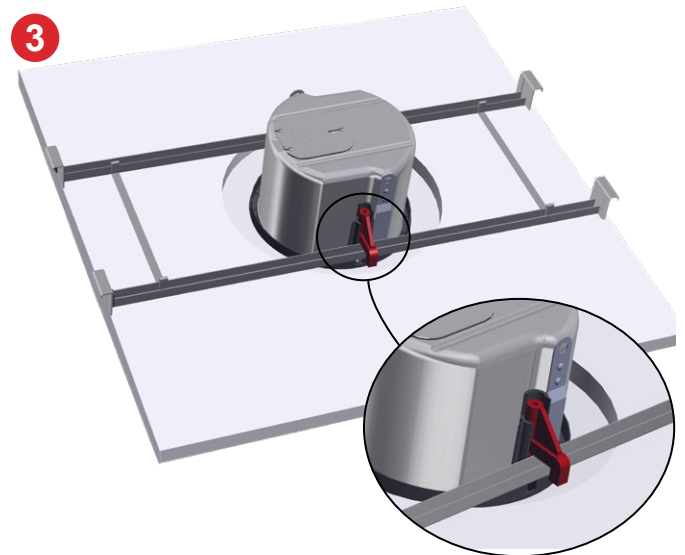
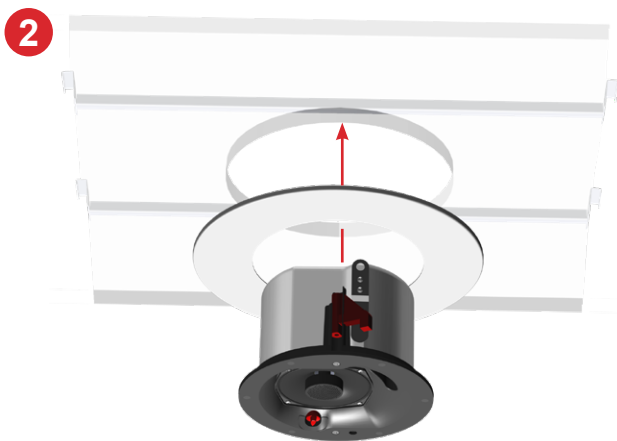
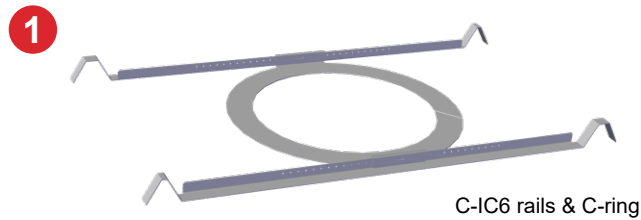
SPA-TR Trim Ring

Model	Fits
SPA-TR100	CM20DTS, CM30DTD
SPA-TR200	CM60DTD
D45-CATR	D4LP, D4, D5
D6-CATR	C-IC6, D6

4. Support the loudspeaker and screw the dog ears back out and down. Ensure the loudspeaker is turned so a dog ear is not positioned over the slot in the top trim ring/C-ring. Set tap setting and install grille per the model's instructions.

Drop Ceiling Installation

1. Place tile rails the appropriate distance apart and install the C-Ring or tile bridges. Install the ceiling tile.
2. With the dog ears rotated in, insert the loudspeaker up through the trim ring and ceiling.
3. Rotate the dog ears out and down to fit onto the tile rails or C-Ring. Do not deform the ceiling by tightening the dog ears too much.
4. Set tap setting and install grille per the model's instructions.



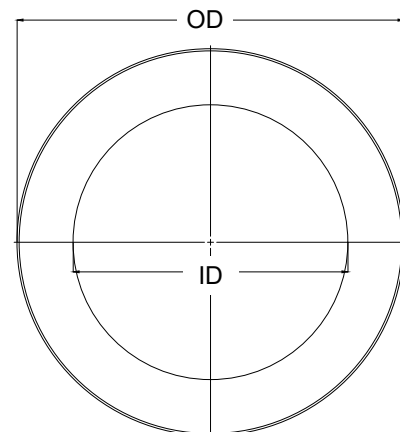
SPECIFICATIONS

Material / Finish: Powder-coated 1 mm steel. Color is RAL 9016.

Quantity per kit: Sold in 10-packs

Note: D SERIES CATR have 4 holes and plugs to work with some 3rd party existing back cans.

Model	Fits	Dimensions
SPA-TR100	CM20DTS, CM30DTD	OD: 323.9 [12.75"] ID: 191 [7.5"]
SPA-TR200	CM60DTD	OD: 323.9 [12.75"] ID: 230 [9.06"]
D45-CATR	D4LP, D4, D5	OD: 323.9 [12.75"] ID: 220 [8.66"]
D6-CATR	C-IC6, D6	OD: 323.9 [12.75"] ID: 258 [10.16"]



CONTACT US

Email: support@biamp.com

Web: support.biamp.com

Warranty: biamp.com/legal/warranty-information