

# TG H55c

Condenser Microphone



TG H55c



TG H55c tan

## FEATURES

- High performance miniature condenser microphone (omnidirectional)
- Splash-proof capsule design
- Lightweight adjustable neckband
- Ultra-slim, flexible gooseneck for easy positioning
- Gooseneck can be mounted on the left or right hand side of the neckband
- Extremely flexible yet rugged construction

## APPLICATIONS

Both discreet and noticeable at the same time – with the TG H55c headset microphone, a noticeably balanced sound meets a discreet exterior. This water and sweat-protected microphone with omnidirectional polar pattern can be mounted on either sides and can be easily positioned thanks to the microphone boom that can be varied in length and position, advantages which are especially advantageous in musical, theatre and sporting applications. Available in both black and tan.

## VERSIONS

- TG H55c Condenser headset microphone, omnidirectional, black, with 4-pin female mini XLR connector. . . . . Order # 707.074
- TG H55c tan same as above, but beige . . . . . Order # 707.082

## SUPPLIED ACCESSORIES

- WS 55 SW Wind shield, black . . . . . Order # 904.236  
or  
WS 55 WS Wind shield, white . . . . . Order # 904.244

## TECHNICAL SPECIFICATIONS

Transducer type . . . . .	condenser (back-electret)
Operating principle . . . . .	pressure
Polar pattern . . . . .	omnidirectional
Frequency response . . . . .	20 - 20,000 Hz
Open circuit voltage . . . . .	10 mV/Pa (-40 dBV)* ±3 dB*
Nominal impedance . . . . .	1 kΩ
Max. SPL . . . . .	118 dB SPL*
S/N ratio . . . . .	52 dB [CCIR, Q-Peak]*
Equivalent SPL . . . . .	33 dB [A, RMS]*
Supply voltage . . . . .	1.5 - 9 V
Connection . . . . .	4-pin mini XLR connector, female
Dimensions	
Capsule diameter . . . . .	5.2 mm
Length . . . . .	13 mm
Cable length . . . . .	1.2 m
Weight . . . . .	24 g

\*measured with CV 18

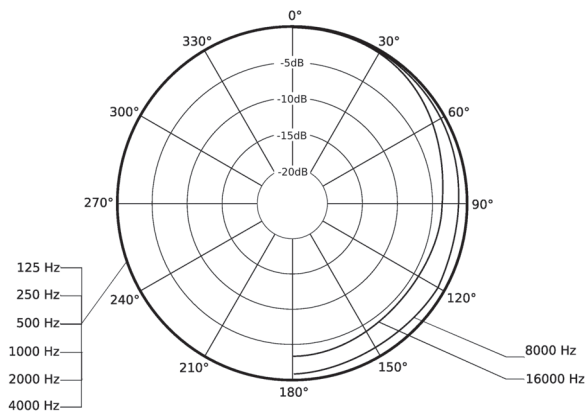
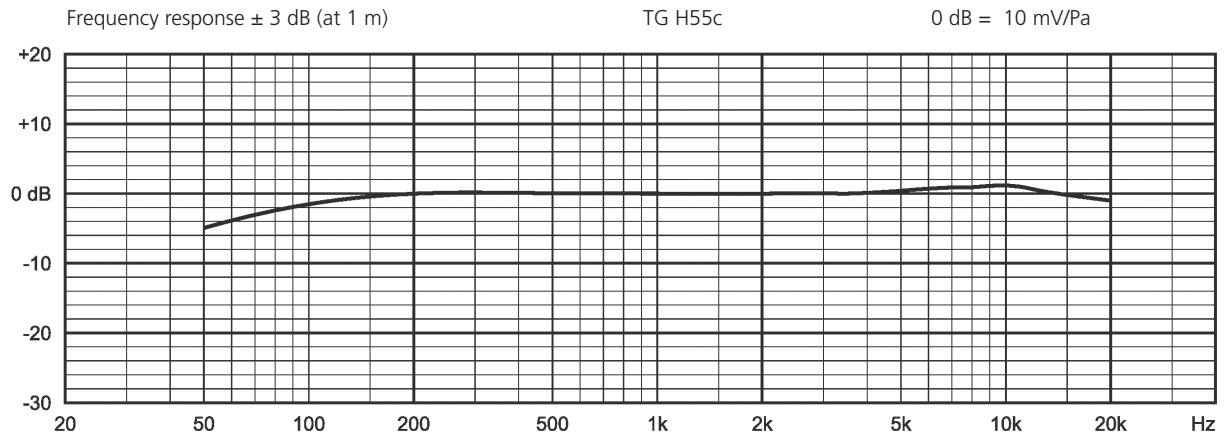
## OPTIONAL ACCESSORIES

- CV 18 Power adapter to connect to phantom-powered microphone inputs. . . . . Order # 475.378
- WS 55 SW Wind shield, black . . . . . Order # 904.236
- WS 55 WS Wind shield, white . . . . . Order # 904.244

# TG H55c

## FREQUENCY RESPONSE & POLAR PATTERN

This polar pattern and frequency response curve ( $\pm 3$  dB) correspond to a typical production sample for this microphone.



## WIRING DIAGRAM

