

TG V70d

Dynamic Microphone



FEATURES

- Hypercardioid polar pattern
- High gain before feedback
- Rugged construction to withstand touring damage
- Shock mounted microphone capsule
- TG V70d s version with on/off switch
- Supplied with microphone clamp and storage bag

APPLICATIONS

The dynamic TG V70d live vocal microphone with a hypercardioid polar pattern is sure to impress both on the stage and behind the mixing console – for the singer, the audience and the rental company. The reasons: the powerful, extremely detailed sound, the excellent feedback rejection and a marked proximity effect with reinforced bass to support less powerful voices. Even without help from the tone control of the mixing console, it delivers an impressively rounded and exceptionally powerful sound. Additional to its great looks, its handling and well-thought-out housing construction with a progressively damped capsule suspension for low handling noises will make it the standard for stage professionals. Available with or without switch.

VERSIONS

- TG V70d Dynamic vocal microphone, hypercardioid incl. microphone clamp Order # 702.295
- TG V70d s same as above, but with locking on/off switch Order # 707.287

TECHNICAL SPECIFICATIONS

- Transducer type Dynamic
- Operating principle Pressure gradient
- Polar pattern Hypercardioid
- Frequency response
- Close miking 25 - 18,000 Hz
- Distant miking (measured at 1 m) 90 - 16,000 Hz
- Rear attenuation at 1 kHz > 25 dB at 110°
- Open circuit voltage 3.2 mV/Pa (-50 dBV) ±2.5 dB
- Magnetic field suppression > 20 dB at 50 Hz
- Nominal impedance 280 Ω
- Load impedance ≥ 1 kΩ
- Connection 3-pin XLR, male
- Dimensions:
- Length 185 mm
- Shaft diameter 23/35 mm
- Head diameter 54 mm
- Weight (without cable) 345 g

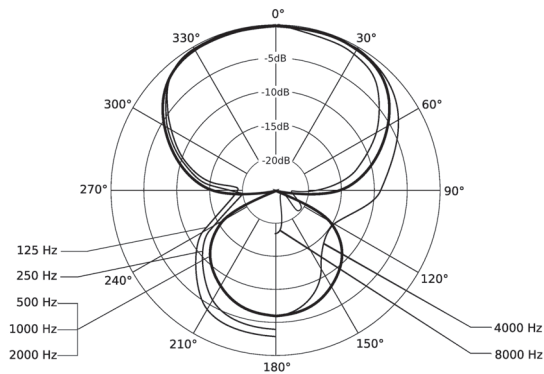
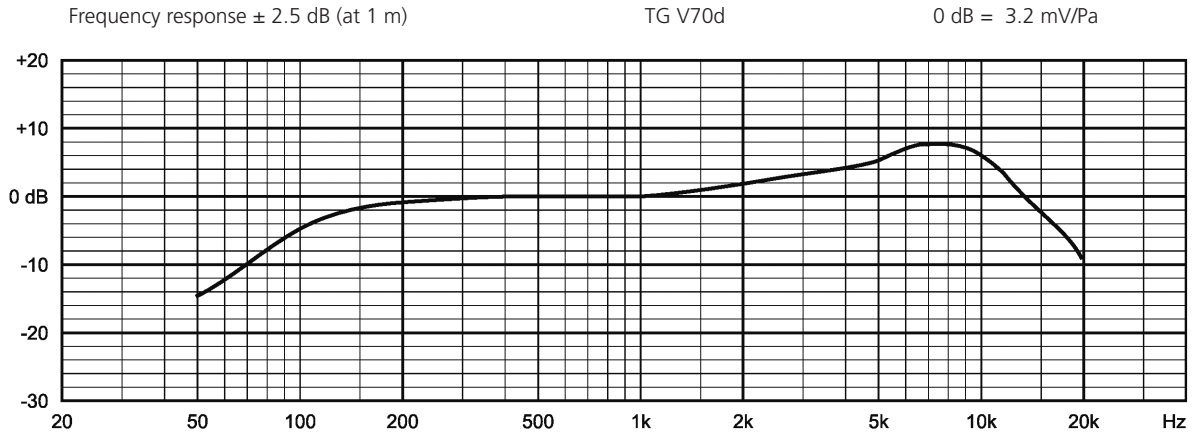
OPTIONAL ACCESSORIES

- BMC 05 FM Standard microphone cable XLR-XLR, length 5 m Order # 434.78
- BMC 10 FM Standard microphone cable XLR-XLR, length 10 m Order # 434.795
- GST 400 Microphone stand, 3/8", height 0.90 - 1.65 m, with removable G 400 boom. Order # 421.294
- GST 500 Microphone stand, 3/8", height 0.85 - 1.60 m, with removable, telescopic G 500 boom Order #406.252
- ST 600 Stand, 3/8", height 0.87 - 1.57 m. Order # 421.316
- MKV 8 Microphone clamp, 3/8" and 5/8" Order # 407.216

TG V70d

FREQUENCY RESPONSE & POLAR PATTERN

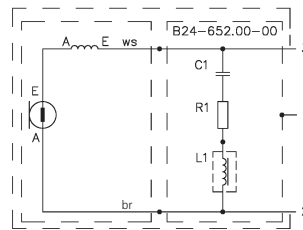
This polar pattern and frequency response curve (± 2.5 dB) correspond to a typical production sample for this microphone.



WIRING DIAGRAMS

Positive pressure produces positive voltage on brown lead (pin 2).

TG V70d



TG V70d s

