



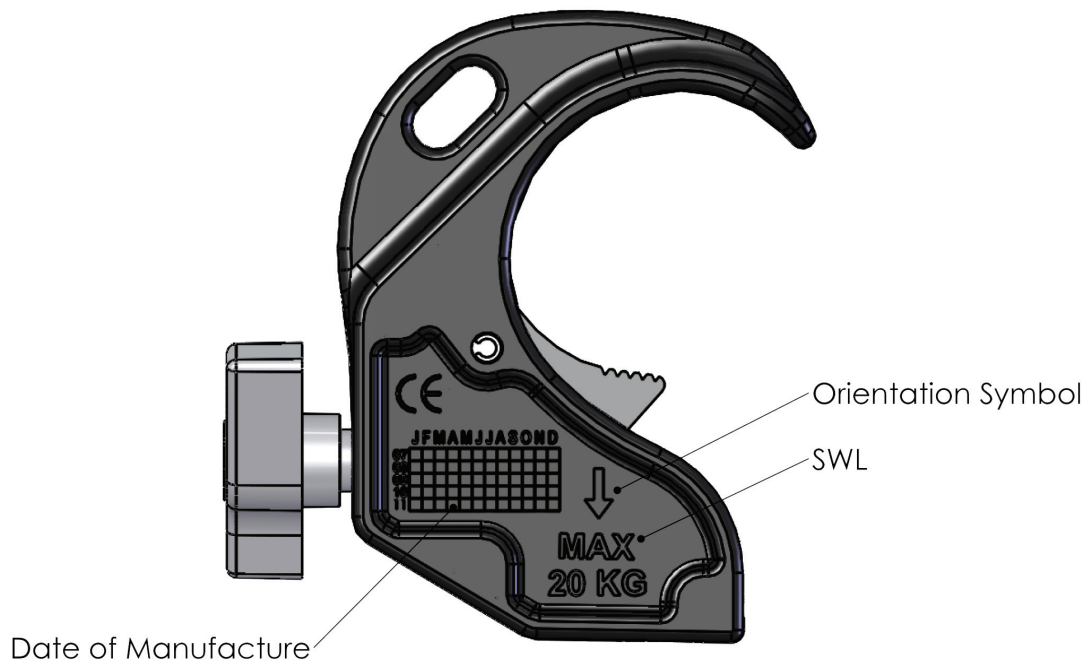
User Manual

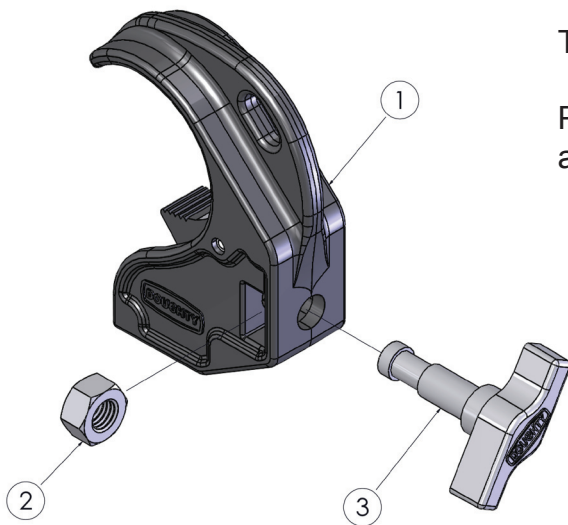
www.doughty-engineering.co.uk

T58400 Twenty Clamp



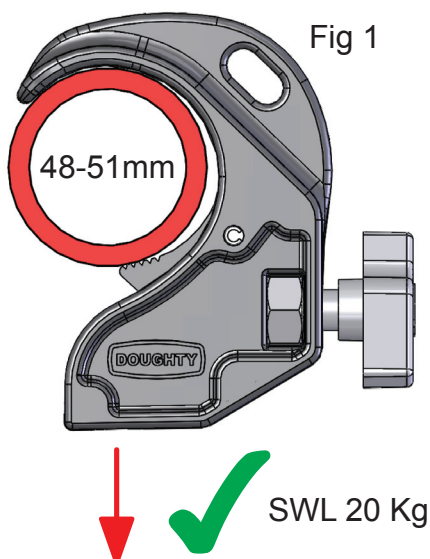
www.doughty-engineering.co.uk



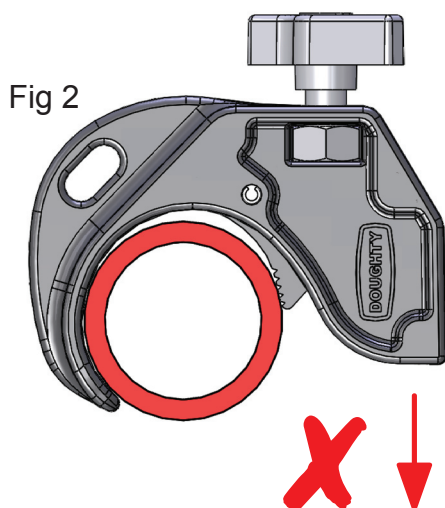


The Twenty Clamp requires assembly before use.

Place the nut (item 2) into the clamp body (item 1) and fit the Doughty Knob (item 3).

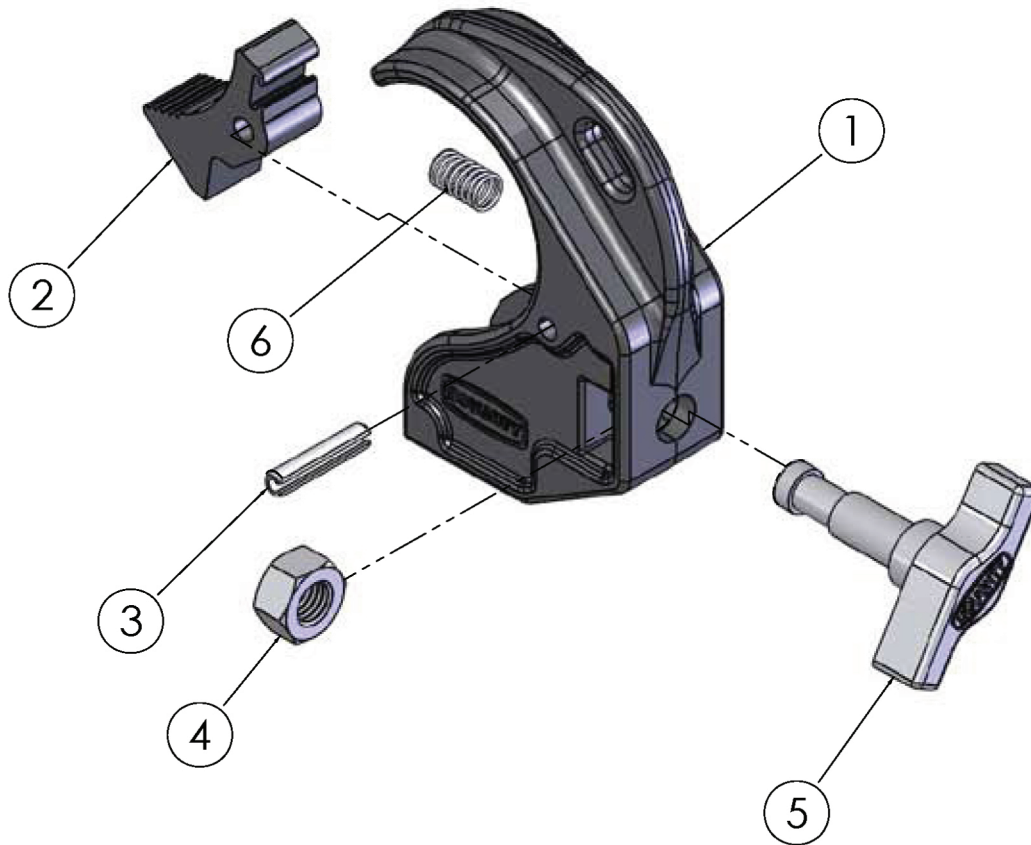


1. Never exceed the Safe Working Load (SWL) shown on the side of the clamp.
2. Only use the clamp within the designed tube parameters (48-51mm)
3. The SWL is only applicable when the clamp is used in a vertical orientation. (fig 1)
4. All clamps should be visually inspected before use. In the event of any damage the clamp should be taken out of service and returned to an 'Approved Doughty Service Agent' for inspection. (see our dealer locator on our web site for a comprehensive list of Authorised Service Agents)



5. When used in conjunction with other accessories, care must be taken to ensure that the minimum SWL of any component is not exceeded.
6. Doughty Engineering Ltd does not recommend using any clamps which do not fully encompass the tube for overhanging (fig 2). All open clamps including hookclamps should be used in a vertical orientation only (fig 1).

SPARES SHEET



DOUGHTY PRODUCTS MUST ONLY BE SERVICED OR REPAIRED BY AN AUTHORISED SERVICE AGENT. SPARE PARTS ARE ONLY AVAILABLE TO THESE AGENTS

ITEM NO.	PART NUMBER	DESCRIPTION	Complete Explode/QT.Y.
1	TH715 (M10)	20CLAMP BODY	1
2	TH716	20CLAMP TRIGGER	1
3	F771	M5 x 25 Stainless Steel Roll Pin	1
4	F862	M10 FULL NUT BZP	1
5	TH717	20CLAMP BOLT	1
6	S1572	STRATA SPRING SS3179	1



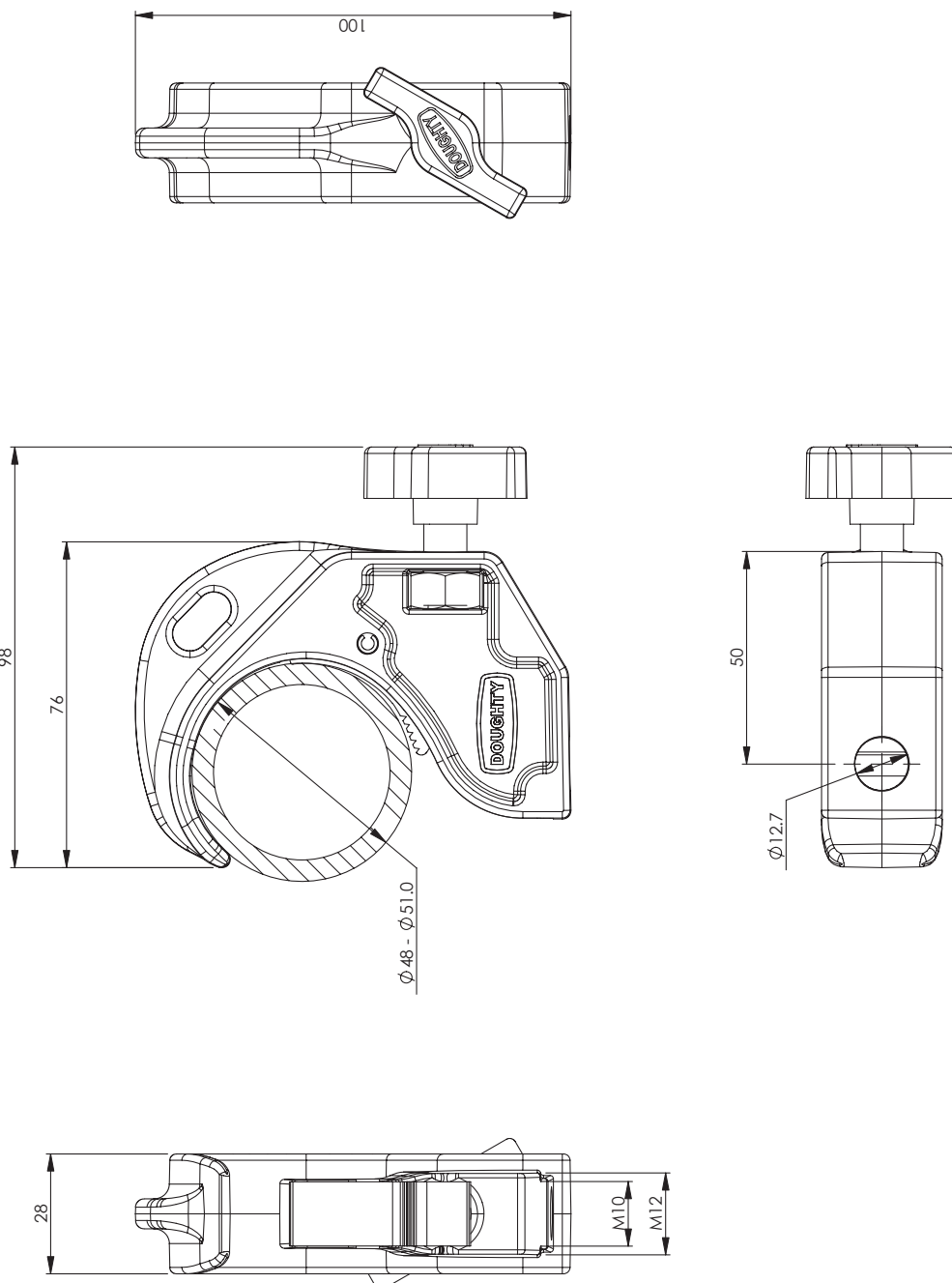
T58400 - TWENTY CLAMP



DRAWN MC

DATE 22.4.10

NOT TO SCALE Dwg No T58400_Spares

 DOUGHTY ENGINEERING LTD	<h2 style="text-align: center;">DATA SHEET</h2>		TITLE: TWENTY CLAMP	PART NOS: T58400 - BLACK	MATERIAL: ALUMINIUM	WEIGHT: 0.28 KG	SWL: 20 KG	FINISH: POWDER PAINTED	NOTES:	<h3 style="margin: 0;">STRICTLY FOR REFERENCE PURPOSES ONLY</h3>	 THIRD ANGLE PROJECTION
											



Doughty Engineering Ltd

Crow Arch Lane

Ringwood, Hampshire, BH24 1NZ

Tel: +44 (0) 1425 478961 Fax: +44 (0) 1425 474481

email: sales@doughty-engineering.co.uk

Web: www.doughty-engineering.co.uk

Note: Whilst every effort has been made to ensure that the information contained within this manual is correct, Doughty Engineering does not accept any liability for errors or omissions. Specifications and technical data are intended for guidance purposes only and may vary.