

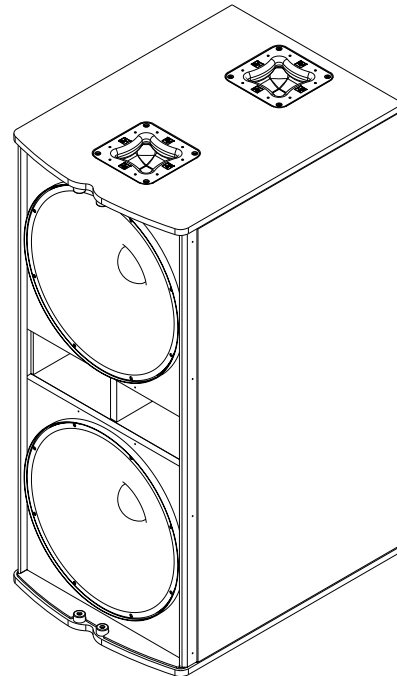
TX2181

TX2181
Dual 18"
Direct-Radiating
Subwoofer



Key Features:

- Dual EVS-18S 18" (457mm) LF Transducers
- 103 dB Sensitivity, 138 dB Maximum SPL
- 1000W Continuous (4000W Peak) Power Handling
- Four Integrated Handles for Easy Portability
- Mounting Points to Attach Optional TX-W1 Wheel Kit



General Description:

The Electro-Voice® TX2181 is a dual subwoofer system that is designed to add high-output, high-impact bass response to the TX2152 loudspeaker system.

The TX2181 can move tremendous amounts of air, thanks to dual EVS-18S high excursion woofers, a well braced enclosure, and a low distortion port design. The EVS-18S woofers feature a 4-layer voice coils and cast frames for high power handling and maximum durability. The TX2181 is designed to be used with a processor and a dedicated amplifier channel in a biamp configuration.

The TX2181 has many features that make it a versatile subwoofer system. The enclosure is constructed out of a combination of MDF and plywood, and coated with EVCoat™ for maximum strength and durability. The unique grille design is very strong, dent resistant, and features a rotatable logo. Four way handles allow for gripping the TX2181 in a variety of positions. The recessed input panel with dual NL4 connectors keeps the connectors hidden and allows for closer placement to a wall or other boundary. The TX2181 is the same width and height as the TX2152, providing a single column appearance when stacked, and uses the minimum amount of space when stored or transported. Mounting points on the rear of the enclosure allow the optional TX-W1 wheel kit to be attached for easy portability.

Technical Specifications:

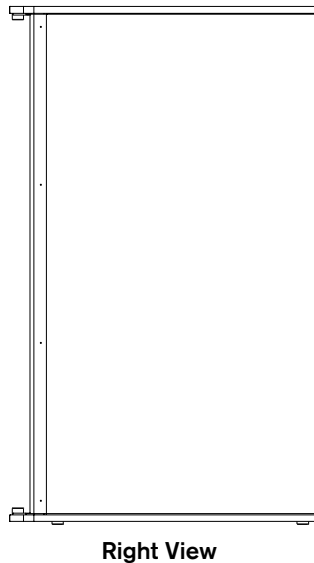
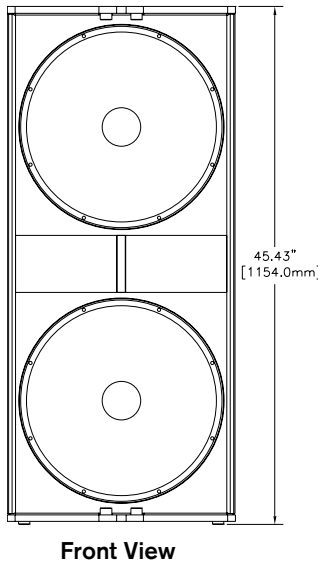
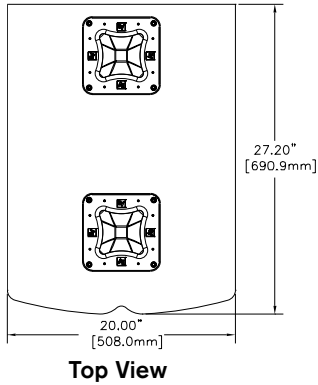
Freq. Response ¹ (-3 dB):	50 Hz - 160 Hz
Freq. Range ¹ (-10 dB):	40 Hz - 1.5 kHz
Rec. Low Pass Frequency:	80 Hz - 120 Hz
Axial Sensitivity ¹ :	103 dB (1W/1m)
Max. Calculated SPL ¹ :	138 dB
Horizontal Coverage:	Omnidirectional
Vertical Coverage:	Omnidirectional
Power Handling:	1000W Continuous, 4000W Peak
LF Transducers:	(2) EVS-18S, 18 in (457mm) Drivers
Nominal Impedance:	4 Ohms
Minimum Impedance:	2.9 Ohms
Connectors:	(2) Neutrik Speakon NL4's
Enclosure Material:	Plywood and MDF with EVCoat™
Grille:	16 GA Steel, Black Powdercoat, with Rotatable Logo
Dimensions (H x W x D):	45.4" x 20.0" x 27.2" (1154mm x 508mm x 691mm)
Net Weight:	123.5 lbs (56.1 kg)
Shipping Weight:	139.0 lbs (63.1 kg)

¹ Half Space Measurement.

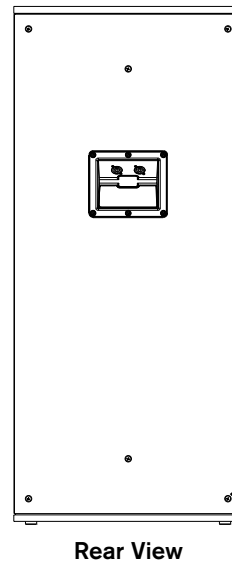
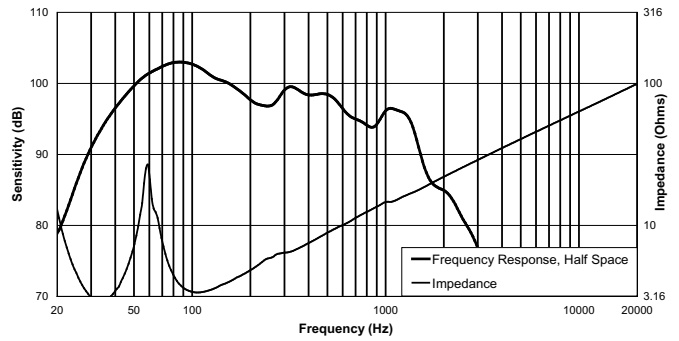
Live For Sound
www.electrovoice.com



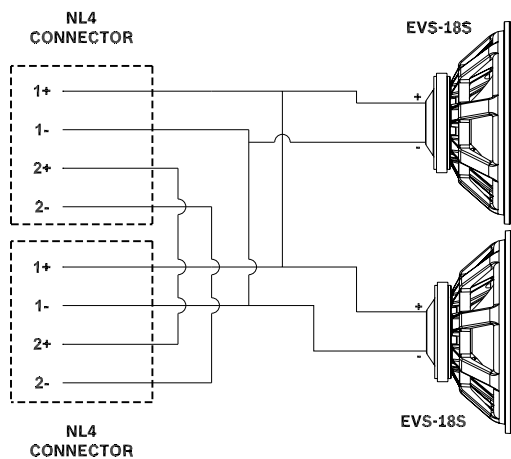
Dimension Drawings:



Frequency Response & Impedance:



Block Diagram:



TX2181 Part Numbers

- PRD000143-001 TX2181, Dual 18" Sub, Black Finish

Performance Match

- PRD000140-001 TX2152, Dual 15" Two Way, 60° x 40° Full-Range, Black Finish
- D170401 CP4000S, 120V Power Amplifier, 2 x 1400W
- D170312 CP3000S, 120V Power Amplifier, 2 x 1100W
- D170258 CP2200, 120V Power Amplifier, 2 x 800W
- PRD000043-001 DC-One, 120V Digital Loudspeaker Controller

Accessories

- ACC000043-000 TX-W1, Wheel Kit for TX1181 and TX2181, Black

Electro-Voice®

12000 Portland Avenue South, Burnsville, MN 55337
Phone: 952/884-4051, Fax: 952/884-0043

www.electrovoice.com

© Bosch Communications Systems

05/2008

Part Number LIT000180 Rev 3

U.S.A. and Canada only. For customer orders, contact Customer Service at:
800/392-3497 Fax: 800/955-6831

Europe, Africa, and Middle East only. For customer orders, contact Customer Service at:
+ 49 9421-706 0 Fax: + 49 9421-706 265

Other International locations. For customer orders, Contact Customer Service at:
+ 1 952 884-4051 Fax: + 1 952 887-9212

For warranty repair or service information, contact the Service Repair department at:
800/685-2606

For technical assistance, contact Technical Support at: **866/78AUDIO**

Specifications subject to change without notice.