

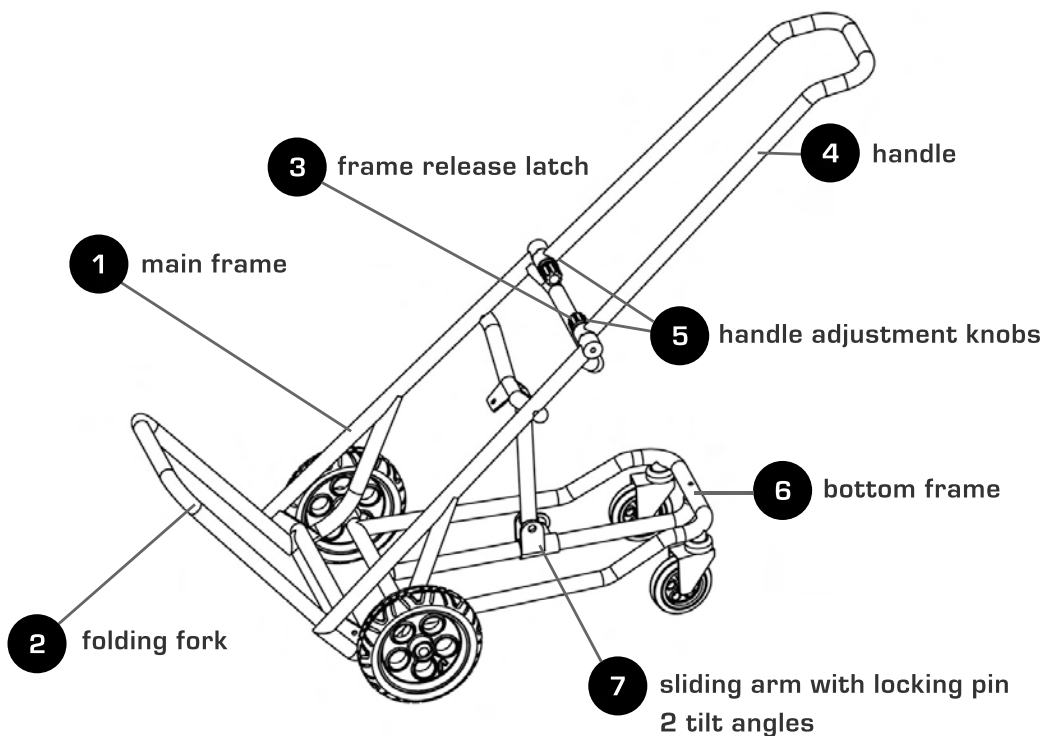


V-CART SOLOTM
PERSONAL GEAR TRANSPORT

user manual

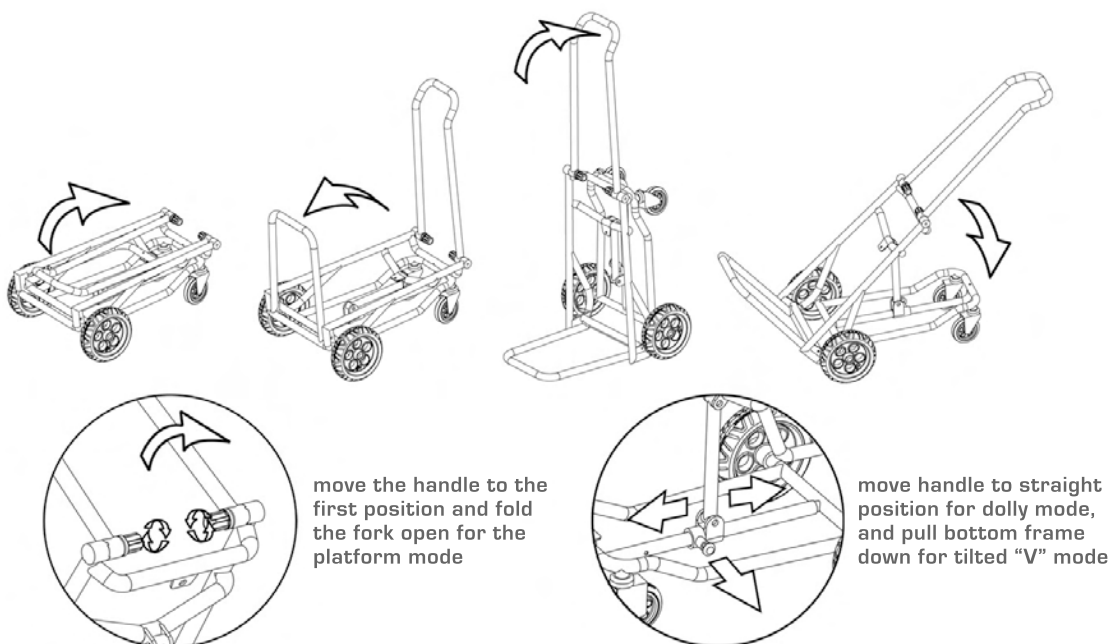
using your v-cart solo

congratulations on your purchase! to ensure that you have a great experience using your new V-CART SOLO™, please take a few minutes to read this manual. your V-CART SOLO™ quickly transforms from its compact and portable storage mode into 3 very usable configurations. converting into each mode is quick and simple.

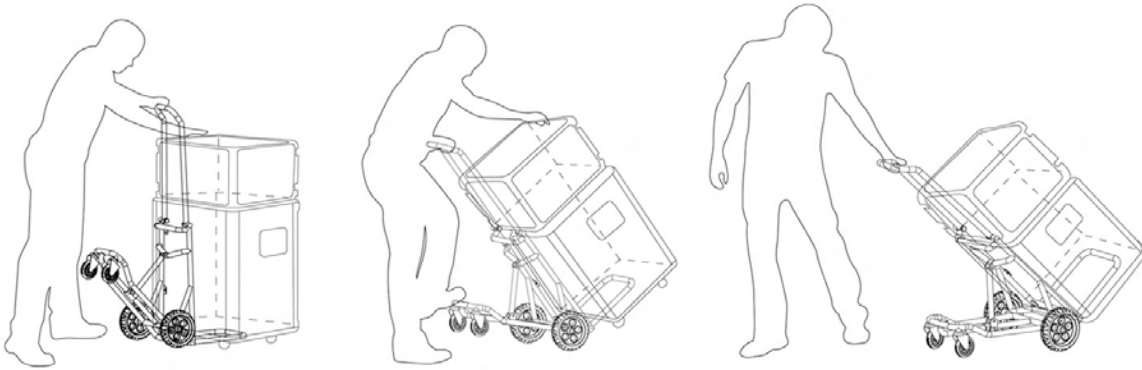


CHANGING TO DIFFERENT MODES

LOOSEN THE HANDLE ADJUSTMENT KNOBS TO RELEASE AND REPOSITION THE HANDLE IN 90-DEGREE INCREMENTS, FROM FOLDED MODE TO 4-WHEEL PLATFORM MODE, AND 2-WHEEL DOLLY MODE TO 4-WHEEL TILTED "V" MODE.



GOING INTO TILTED “V” MODE



RELEASE THE BOTTOM FRAME AND LOCK THE SLIDING ARM INTO ONE OF THE LOCKING PIN SLOTS (THE LOWER ANGLE IS IDEAL FOR FRONT-HEAVY LOADS). LOAD AND SECURE YOUR GEAR, THEN TILT THE V-CART BY GRASPING THE TOP OF YOUR EQUIPMENT WHILE STEPPING ON THE BOTTOM FRAME AND PULLING BACK ON THE HANDLE AT THE SAME TIME. REPEAT THE STEPS IN REVERSE ORDER TO UNLOAD YOUR GEAR. ALSO, WE RECOMMEND PULLING YOUR V-CART RATHER THAN PUSHING FOR BEST LOAD STABILITY.

safety tips

- ★ always load items centered securely on the loading surface
- ★ before going to tilted “V” mode, make sure the sliding arm is securely locked in place
- ★ always tighten both knobs thoroughly before using the V-CART SOLO™ in any mode
- ★ always hold the handle when the V-CART SOLO™ is loaded in the tilted mode
- ★ keep hand and fingers away from pinch points when adjusting the V-CART SOLO™
- ★ flat bungee cords are recommended to secure your gear, available on our website
- ★ never attempt to adjust the sliding arm angle while the V-CART SOLO™ is loaded
- ★ never load the V-CART SOLO™ beyond its load capacity or higher than the handle, which may cause malfunction, risk of damage or injury, and will void the warranty
- ★ **NEVER LEAVE GEAR LOADED OR UNATTENDED, ESPECIALLY AROUND CHILDREN**
- ★ additional safety info can be found at gruvgear.com/safety

tech specs

load capacity: 500 lbs.

frame: 1” round high-tensile steel tubing

tires: 8” flat-free lightweight PU foam wheels,
4” polyurethane casters

storage dimensions: H 26” x W 20” x D 11”

platform load area: 24” x 15”

vertical handle height: 51”

wheelbase: 19.7”

wheel track width: 20”

storage weight: 23 lbs.

warranty info

the V-CART SOLO™ comes with a 2-year limited warranty, which covers defects in materials and workmanship. the warranty is fully transferrable with proof of purchase. for more details, visit www.gruvgear.com/warranty.

M A K E

L I F E

G R U V TM

GRUVGEAR
WWW.GRUVGEAR.COM

friends@gruvgear.com

PO BOX 1053 YORBA LINDA CA 92885