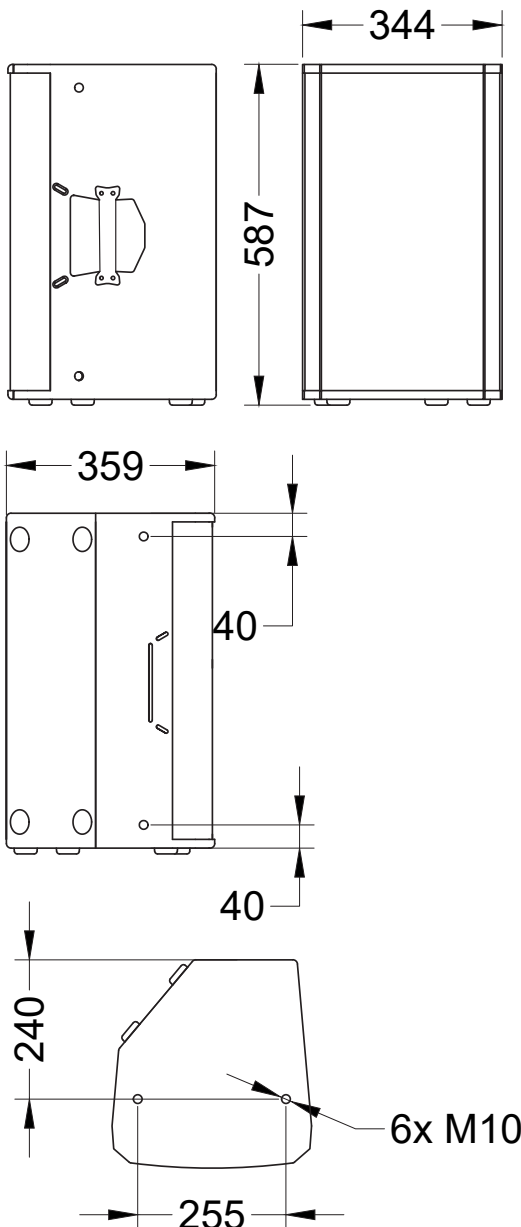


# Z 320

## FULL-RANGE PASSIVE SPEAKER


Z series was created to deliver the power and professional sound quality into various indoor and outdoor spaces while keeping budget considerations in check.

Z 320 is a compact passive 12"+1" speaker, designed for both FOH sound and stage monitoring purposes. Equipped with angle-adjustable pole mount adapter and M10 mounting points, Z 320 is a versatile solution for many sound reinforcement applications.



### Main features:

- 350W nominal power
- 12" woofer with 2,5" voice coil
- 1" HF driver with 1,75" voice coil
- 130 dB Max SPL
- Adjustable pole mount adapter

Frequency Response (-10dB)	50 - 20000 Hz
Max SPL <sup>1</sup>	130 dB
Sensitivity (1W/1m)	96 dB
LF Driver	12", 2,5" VC
HF Driver	1", 1,75" VC
Nominal Coverage Angle (Horizontal x Vertical)	100 x 50 deg
Impedance	4 Ohm 
Nominal power <sup>2</sup>	350 W
Connectors	2x Neutrik Speakon
Dimensions (WxHxD), mm	359x587x344 mm
Net weight, kg	16,6 kg
Shipping weight, kg	19,1 kg
Mounting	10x M10 mounting points, 35mm adjustable pole socket
Enclosure material	Plywood; wear-resistant paint
Grill	Steel grill, polymer protective net

<sup>1</sup> - peak value, calculated according to AES 2 - 2012

<sup>2</sup> - based on transducer power measured according to AES 2 - 2012

With dedication to constant improvement of the products, manufacturer may change the listed specifications without prior notice