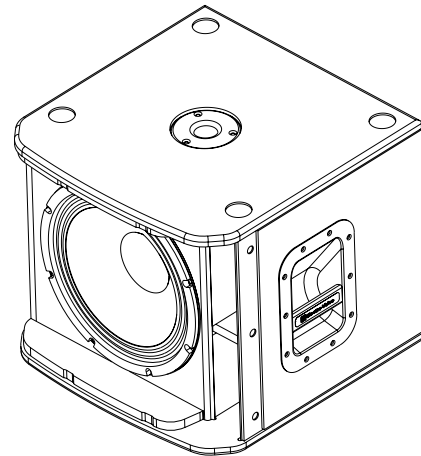


Zx1-SUB 12 Inch Passive Subwoofer



Key Features:

- 15 mm Plywood Enclosure, Internally Braced, with Textured Paint
- EVS-12S 305 mm (12 in) Woofer for Powerful, Engaging Bass Response
- Pole Mount for Full-Range Systems



General Description:

Only to be expected from Electro-Voice, the Zx1-Sub packs a big-stage punch. Electro-Voice drivers and components are legendary—all proven at the highest levels of live performance. Zx1-Sub wraps Electro-Voice technology in a durable, lightweight cabinet, resulting in the most powerful and versatile compact subwoofers available today. Match Zx1-Sub with the Zx1 to create a truly exceptional professional sound system. The Electro-Voice Zx1 Series loudspeakers have carefully matched electronics and transducers that sound great right out-the-box. These products make it easy to set up a high quality sound system quickly, with a minimum amount of cables and external processing. The Electro-Voice Zx1-Sub is a compact, loudspeaker system, which is designed for portable and permanent sound reinforcement applications that require maximum space saving. The Zx1-Sub utilizes EVS-12S, a high output, low distortion, 305 mm (12 inch) woofer. The Zx1-Sub plywood enclosure is made for lasting durability and lightweight requirements. Solid, easy-to-grip handles on each side and pole mounts make the Zx1-Sub ideal for many applications.

Technical Specifications:

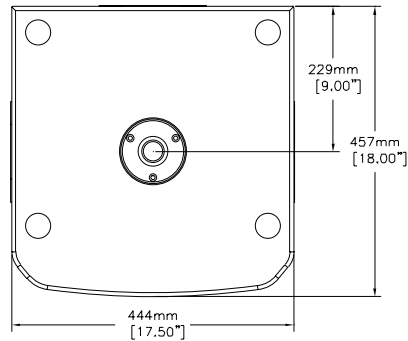
Freq. Response (-3dB) ¹ :	53 Hz – 125 Hz
Freq. Range (-10dB) ¹ :	42 Hz – 200 Hz
Rec. Hipass Frequency:	38 Hz
Axial Sensitivity:	94 dB
Max. Measured SPL ^{1,2} :	127 dB
Coverage (Horiz. x Vert.):	Omnidirectional
Power Handling:	400 W Cont., 800 W Prog., 1600 W Peak
LF Transducer:	EVS-12S, 305 mm (12 in) Woofer
Nominal Impedance:	8 Ω
Minimum Impedance:	7.5 Ω
Connectors:	NL4 (2)
Enclosure Material:	9-ply 15 mm Plywood, Internally Braced, with Textured Paint
Grille:	16 GA Steel with Black Powdercoat
Dimensions (H x W x D):	400 mm x 444.5 mm x 457.2 mm (15.75 in x 17.50 in x 18.00 in)
Net Weight:	19.8 kg (43.6 lb)
Shipping Weight:	25.4 kg (56.0 lb)

¹ Half-Space Measurement

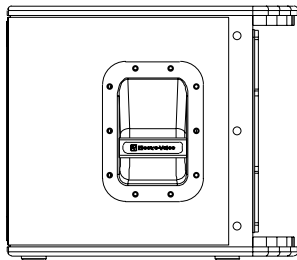
² Maximum SPL is measured in 1m using broadband pink noise at rated peak power rating.



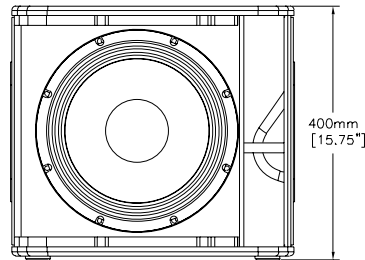
Dimension Drawings:



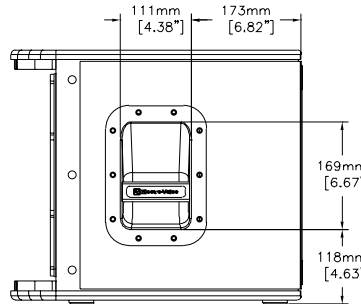
Top View



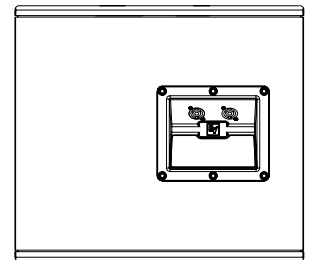
Left View



Front View

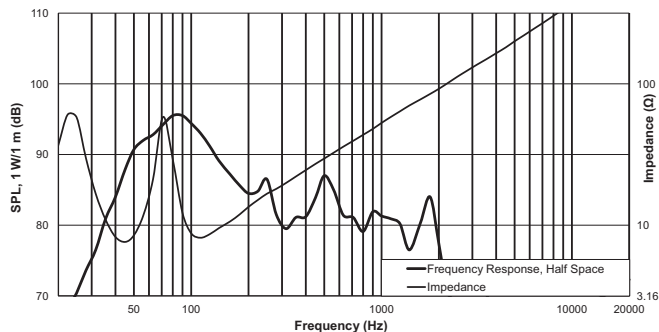


Right View



Rear View

Frequency Response:



ZxA1-SUB System Model/Commercial Code

- ZX1-SUB 12 inch Passive Subwoofer

Accessories

- ASP-1 Adjustable Subwoofer Pole Mount
- ZXA1-SUB-CVR for Slip Cover, Black Finish
Zx1-Sub

Specifications subject to change without notice.

Electro-Voice

12000 Portland Avenue South, Burnsville, MN 55337
Phone: 952/884-4051, Fax: 952/884-0043

www.electrovoice.com

© Bosch Communications Systems 10/2012

Part Number F.01U.277.679 Rev 01

U.S.A. and Canada only. For customer orders, contact Customer Service at:
800/392-3497 Fax: 800/955-6831

Europe, Africa, and Middle East only. For customer orders, contact Customer Service at:
+ 49 9421-706 0 Fax: + 49 9421-706 265

Other International locations. For customer orders, Contact Customer Service at:
+ 1 952 884-4051 Fax: + 1 952 887-9212

For warranty repair or service information, contact the Service Repair department at:
800/685-2606

For technical assistance, contact Technical Support at: 866/78AUDIO