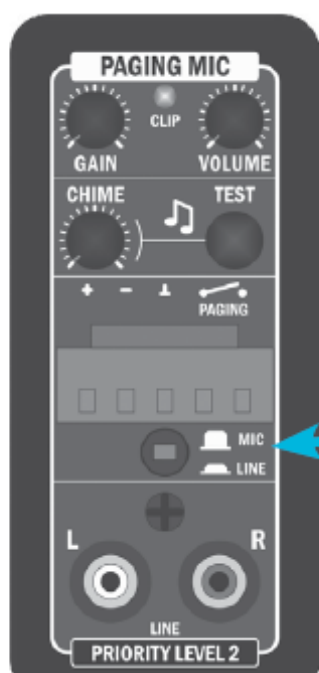
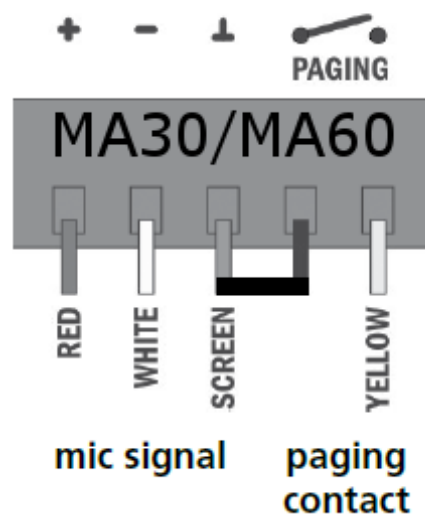
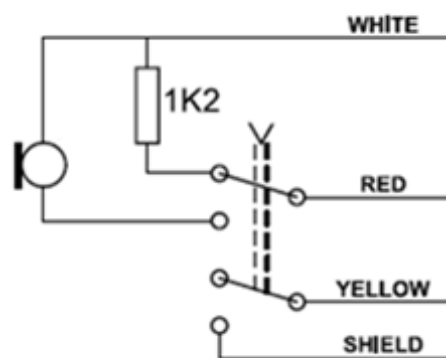


Connecting and setting up a paging microphone

1. Connect the microphone wire as shown in the picture.
The + - GND is used for the balanced signal of the microphone.
The paging contact closure is indicated in the picture.

MICPAT-D



2. Set the mic / line button to "MIC".
3. Close the paging contact.

