

D SERIES

High Fidelity Coaxial
Ceiling Loudspeakers

Installation and
Operation Manual



MODELS

- D4: 4.5" Full-Range
- D4LP: 4.5" Full-Range (low profile)
- D5: 5" Full-Range
- D6: 6.5" Full-Range
- D8: 8" Full-Range
- D10: 10" Full-Range
- D10SUB: 10" Subwoofer



Safety Agency Compliance



Intertek

4001450

Conforms to UL1480 Standard

Conforms to UL2043 Standard

Certified to CSA C22.2 No. 60065 Standard

For protection against electrical shock and to meet the requirements of the UL2043 standard, the speaker assembly must be installed in the appropriate Listed Community D SERIES Back Can or similar UL1480/UL2043 Listed enclosure. Minimum dimensions for the enclosure for each model must be:

Model (Loudspeaker only)	Required Minimum Enclosure Size for UL1480/UL2043 Compliance (Width x Length x Depth)
D4	7.362" x 7.362" x 3.504"
D5	7.362" x 7.362" x 6.693"
D6 D6-B	8.858" x 8.858" x 6.693"
D8	10.827" x 10.827" x 8.071"
D10	12.795" x 12.795" x 9.843"
D10SUB	12.795" x 12.795" x 9.843"

*Minimum enclosure thickness must be 1mm for all enclosures.

Community Professional Loudspeaker products bearing the CE label meet all the requirements in the EMC directive 2014/30/EU laid down by the Member States Council for adjustment of legal requirements, furthermore the products comply with the rules and regulations referring to the electromagnetic compatibility of devices from 16 April 2016.

The Community Professional Loudspeaker products bearing the CE label comply with the Low Voltage Directive 2014/35/EU and the Waste from Electrical Equipment Directive 2002/96/EC RoHS.

The Declaration of Conformity statement is available upon request.
Technical specifications for products can be found at www.communitypro.com.

Additional Compliance Information

Suitable for use in air handling spaces per NFPA70 National Electrical Code 2008 Article 300.22(c)(2) and NFPA 90 Installation of Air Conditioning and Ventilation Systems 2009 Article 4.3.11.2.6.5.

SUITABLE FOR USE IN AIR HANDLING SPACES



Introduction & Product Description

Thank you for your choice of Community's D SERIES Ceiling Loudspeakers.

Each D SERIES Ceiling model is built to satisfy safety agency standards, with quality assured by Community's long history of building high-performance, durable loudspeakers for sound reinforcement and contracting applications.

The D SERIES line has seven ceiling models: Each model is shipped as a matched pair of completely assembled loudspeakers, including everything needed for standard installations. The D4LP Low Profile model fits where deeper units cannot and may be retrofitted into existing shallow cans.

Except for the D10SUB subwoofer, each of the other six models are true coaxial loudspeakers. They have real compression drivers concentrically arranged so that the upper frequencies emerge through the center of the low-frequency driver's magnetic structure and cone via a precisely tapered Tru-Phase™ high frequency waveguide. This special construction provides consistent, wide dispersion right up to 16 kHz, all but eliminating high-frequency narrowing.

The competitively priced D SERIES saves you cost and installation time by: incorporating powerful magnetic structures and efficient coils that ensure high output, giving you more headroom per power amplifier allowing use of a smaller amplifier; and designing place-through-the-cutout Tile Support Bridge Rails, Drop-Stop™ installation assistant tabs, Twist-Assist™ loudspeaker face retainer tabs, and other innovations so that one person on a ladder is easily able to install the loudspeaker in the ceiling.

You can use 8 ohm or constant voltage distribution with the built-in 70/100 volt autoformer. Power is easy to adjust using a front-accessible power tap switch.

Please read these instructions carefully and familiarize yourself with the features and installation methods before you begin the job.

Table of Contents





Safety Agency Compliance	2
Introduction & Product Description	3
Important Safety Instructions.....	4
L'information de Sûreté Importante	4
Packing List and Product Identification.....	5
Component Identification	6
Installation and Wiring	8
Back Can Installation	11
Painting the Loudspeaker	13
Secure the Loudspeaker In the Back Can	14
Attach Grille Safety Cable	15
Loudspeaker Tap Setting.....	15
Drawings / Dimensions.....	16
Optional Accessories	18
Warranty Information and Service.....	19
Notes:	19

Important Safety Instructions

Always follow these basic safety precautions when using or installing *D SERIES Ceiling Loudspeakers* and accessories:

- Read and keep these instructions.
- Heed all warnings.
- Follow all instructions, particularly those pertaining to rigging, mounting, hanging and electrical connections.
- Do not use this apparatus near water.
- Clean only with dry cloth.
- Do not block any ventilation openings. Install in accordance with the manufacturer's instruction.
- Do not install near any heat sources such as radiators, heat registers, stoves, or other apparatus (including amplifiers) that produce heat.
- Only use attachments/accessories that are specified and approved by the manufacturer.
- Refer all servicing to qualified service personnel. Servicing is required when the apparatus has been damaged in any way, such as power-supply cord or plug is damaged, liquid has been spilled or objects have fallen into the apparatus, the apparatus has been exposed to rain or moisture, does not operate normally, or has been dropped.

The terms caution, warning, and danger may be used in this manual to alert the reader to important safety considerations. If you have any questions or do not understand the meaning of these terms, do not proceed with installation. Contact your local dealer, distributor, or call Community directly for assistance. These terms are defined below:

-  **CAUTION:** describes an operating condition or user action that may expose the equipment or user to potential damage or danger.
-  **WARNING:** describes an operating condition or user action that will likely cause damage to the equipment or injury to the user or to others in the vicinity.
-  **DANGER:** describes an operating condition or user action that will immediately damage the equipment and/or be extremely dangerous or life threatening to the user or to others in the vicinity.
-  **WARNING:** To reduce the risk of fire or electric shock, do not expose this apparatus to rain or moisture.





These servicing instructions are for use by qualified service personnel only. To reduce the risk of fire or electric shock do not perform any servicing other than that contained in the operating instructions unless you are qualified to do so.

L'information de Sûreté Importante

Respectez toujours ces précautions de sécurité de base lors de l'utilisation ou lors de l'installation des haut-parleurs *D SERIES Ceiling* et de ces accessoires :

- Lisez et gardez les instructions.
- Observez tous les avertissements.
- Suivez toutes les instructions, particulièrement ceux concernant le calage, support, montage et raccordements électriques.
- Ne pas utiliser cet appareil près de l'eau.
- Nettoyez seulement avec un tissu sec.
- Ne pas bloquer les ouvertures de ventilation. Installer conformément aux instructions du fabricant.
- Ne pas installer près des sources de chaleur comme les radiateurs, les cuisinières, foyers ou autres appareils (y compris les amplificateurs) qui peuvent produire de la chaleur.
- Utilisez seulement les accessoires qui sont spécifiés et approuvés par le fabricant.
- Référez tout entretien au personnel qualifié de service. Ceci est exigé quand l'appareil a été endommagé de quelque façon, incluant le fil d'alimentation et ou l'embout du fil a été endommagé, des liquides ont été renversés ou des objets sont tombé à l'intérieur de l'appareil, l'appareil a été exposé à la pluie ou l'humidité, l'appareil ne fonctionne pas normalement ou a été échappé.

Les termes attention, avertissement, et danger peut être utilisés dans ce manuel pour alerter le lecteur aux considérations importantes de sûreté. Si vous avez des questions ou ne comprenez pas la signification de ces termes, ne procédez pas à l'installation. Contactez votre détaillant, distributeur, ou Community directement pour assistance. Les termes sont définies ci-dessous:

-  **ATTENTION:** décrit une condition de fonctionnement ou une action d'utilisateur qui peuvent exposer l'équipement ou l'utilisateur aux dommages potentiels ou au danger.
-  **AVERTISSEMENT:** décrit une condition de fonctionnement ou une action d'utilisateur qui peuvent causer des dommages probable à l'équipement et/ou à l'utilisateur et à ceux se trouvant à proximité.
-  **DANGER:** décrit une condition de fonctionnement ou une action d'utilisateur qui endommageront immédiatement l'équipement et/ou seront extrêmement dangereuses et qui peut représenter un danger pour la vie à l'utilisateur et à ceux se trouvant à proximité.
-  **AVERTISSEMENT:** Pour réduire le risque de feu ou de décharge électrique, ne pas exposer cet appareil à la pluie ou l'humidité.

Ces instructions d'entretien sont pour l'usage d'un personnel de service qualifié seulement. Pour réduire le risque de feu ou de décharge électrique n'exécutez aucun entretien autrement que ce qui est contenu dans les instructions d'opérations à moins que vous êtes qualifié pour le faire.

Packing List and Product Identification

Community D SERIES Ceiling Loudspeakers are engineered and manufactured to be rugged and they are carefully packed in sturdy cartons. However, it is wise to thoroughly inspect each unit after it has been removed from the packaging, as damage could occur during shipping.

Please note that once the shipment has left your dealer or the Community factory, the responsibility for damage is always borne by the freight company. If damage has occurred during shipping, you must file a claim directly with the freight company. It's very important to contact the freight company as soon as possible after receiving your shipment, as most freight companies have a short time limit within which they will investigate claims. Make sure to save the carton and the packing material, as most claims will be denied if these materials are not retained.

All D SERIES ceiling loudspeakers are shipped in pairs. Below is a representation of what is included.

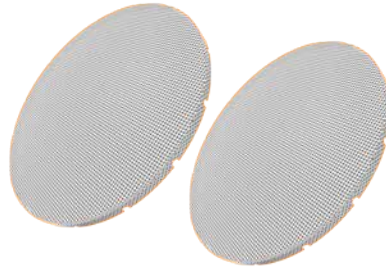
Box Contents

Models: D4LP, D4, D5, D6, D6-B, D8, D10, D10SUB

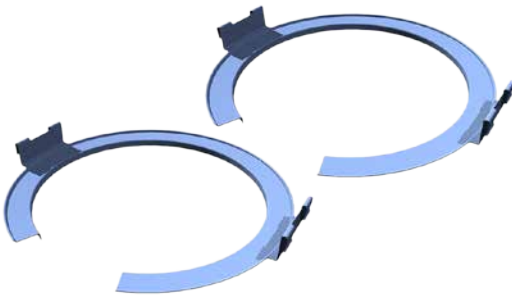
- Ceiling loudspeakers secured in their back cans (2)
- Grilles (2)
- C-ring support plates (2)
- Cutout template (1)
- Tile bridge support rails (4)
- Paint masks (2)
- Small flat screwdriver (1)



Loudspeakers



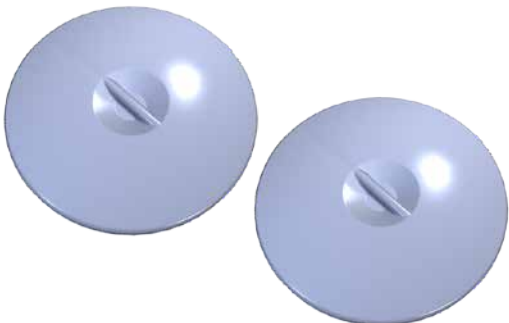
Grilles



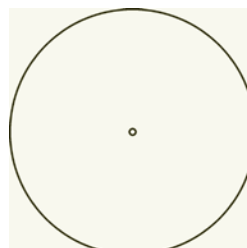
C-ring Support Plates



24" (610mm) Tile Bridge Support Rails



Paint Masks



Cutout Template



Flat Screwdriver

Component Identification

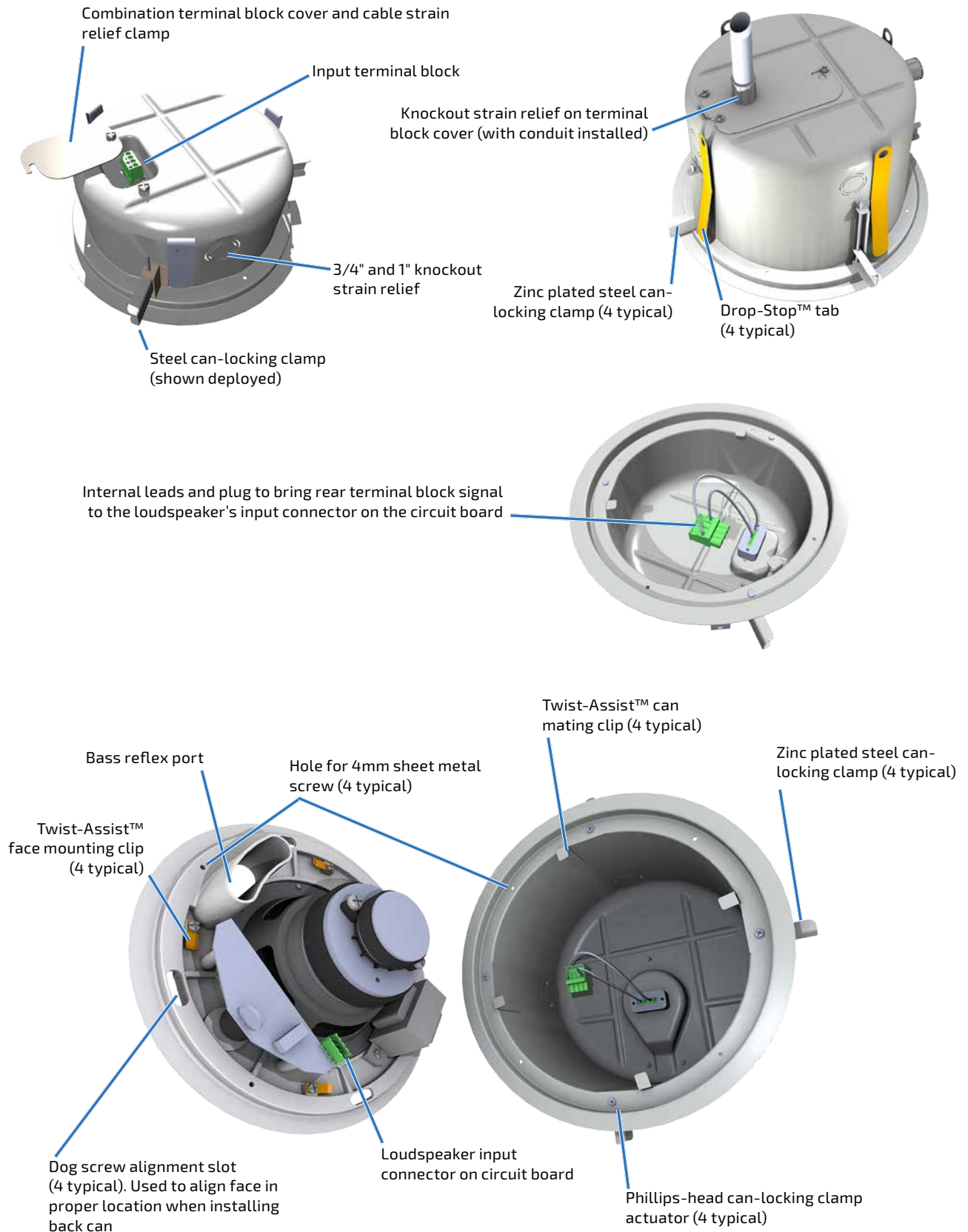


Figure 1. Component part identification (1 of 2)

Component Identification (continued)

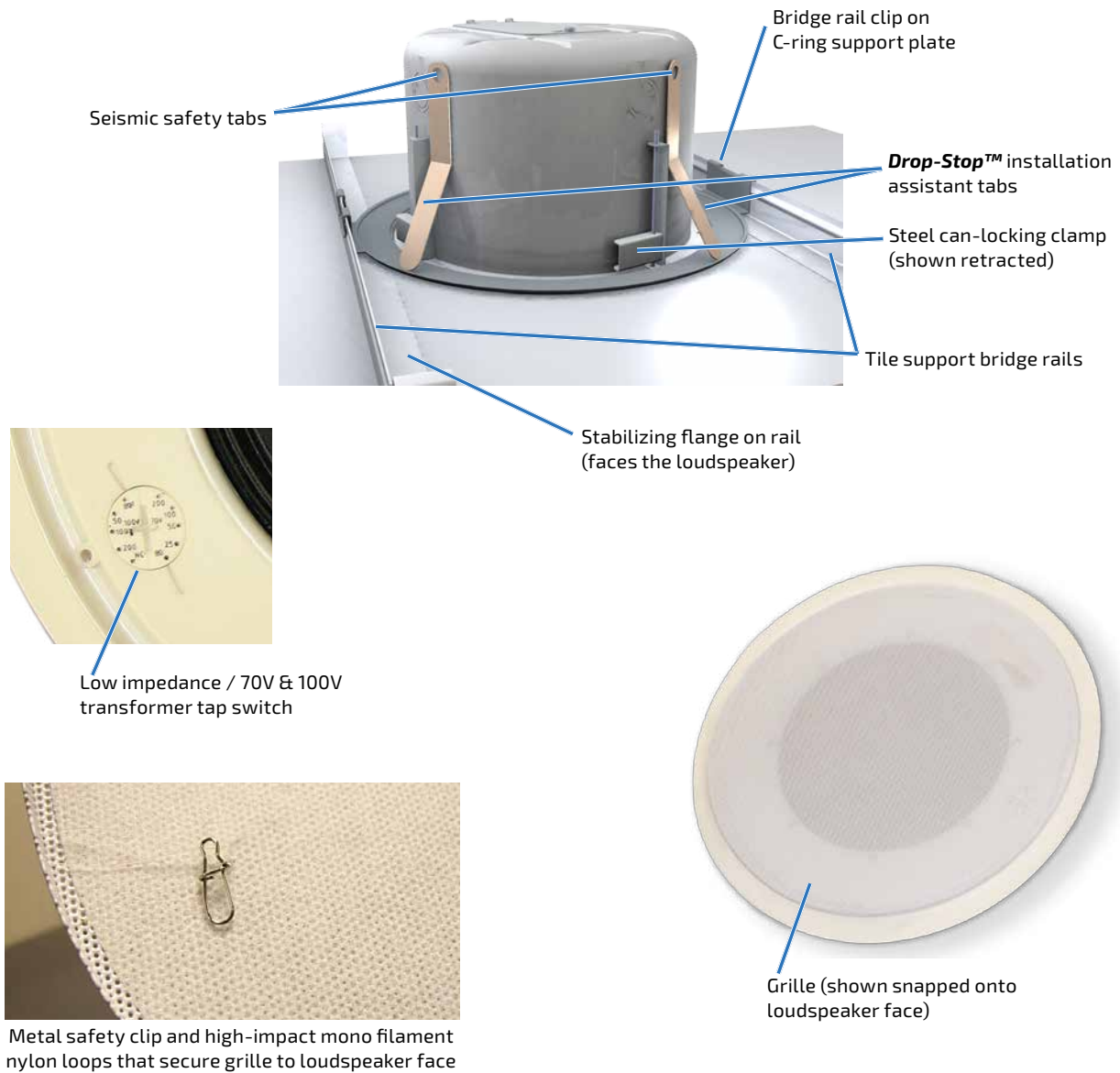


Figure 2. Component part identification (2 of 2)

Installation and Wiring

Note: This section describes the wiring connection of the loudspeaker to the can, and the wiring between the can and loudspeaker. Installation order will depend upon the facility and the installer; pre-installation of the cans including routing the wires to the can location, or cans and loudspeakers at the same time. There is no "perfect or preferred" order for installation. This section describes the general means to wire the cans and loudspeakers before mounting the can into the ceiling (or wall).

This manual will serve to assist in wiring and physically mounting D SERIES loudspeakers. The directions include assistance to those installers using a complete Community package of loudspeakers and accessories, including the back cans, grilles, and tile rails. We include instructions for use of optional Community D SERIES retrofit adapters so that Community D SERIES loudspeakers can be mounted in other manufacturers' cutouts and/or back cans. If accessory products from a different manufacturer are used, please refer to the installation manuals supplied with those products.

Power Determination

As detailed subsequently, there is no need to specially select different wire terminals for 8 ohms or for various 70V and 100V power taps. Instead, a face-mounted tap switch allows you to make this selection. Once the loudspeaker is mounted correctly in the ceiling, set the tap switch to the appropriate tap setting before any audio is passed through the loudspeaker. Do not change the setting on the tap switch while the loudspeaker is in use.

Installation in back cans without conduit

The only tool required is a screwdriver, which is provided in the Loudspeaker package. D SERIES back cans include a swivel-out terminal access cover that also serves as a cable clamp when tightened in place. The terminal block in the can's outer recess has two (+) connections and two (-) connections. If you're only connecting one (dual conductor) cable, you can use either (+) and (-) terminal, as illustrated in Figure 3. If you're daisy-chaining a cable to the next can, you can connect the next cable to the remaining (+) and (-) terminals. There is no need to connect jumpers or try to stuff two wires into one terminal block port because each pair of (+) and each pair of (-) terminals is directly jumpered together on the input connector as well as internally on the PC board. Due to this internal jumper on the connector, the parallel connection will be maintained even if the input connector comes unplugged from the loudspeaker's PC board (Figure 4).

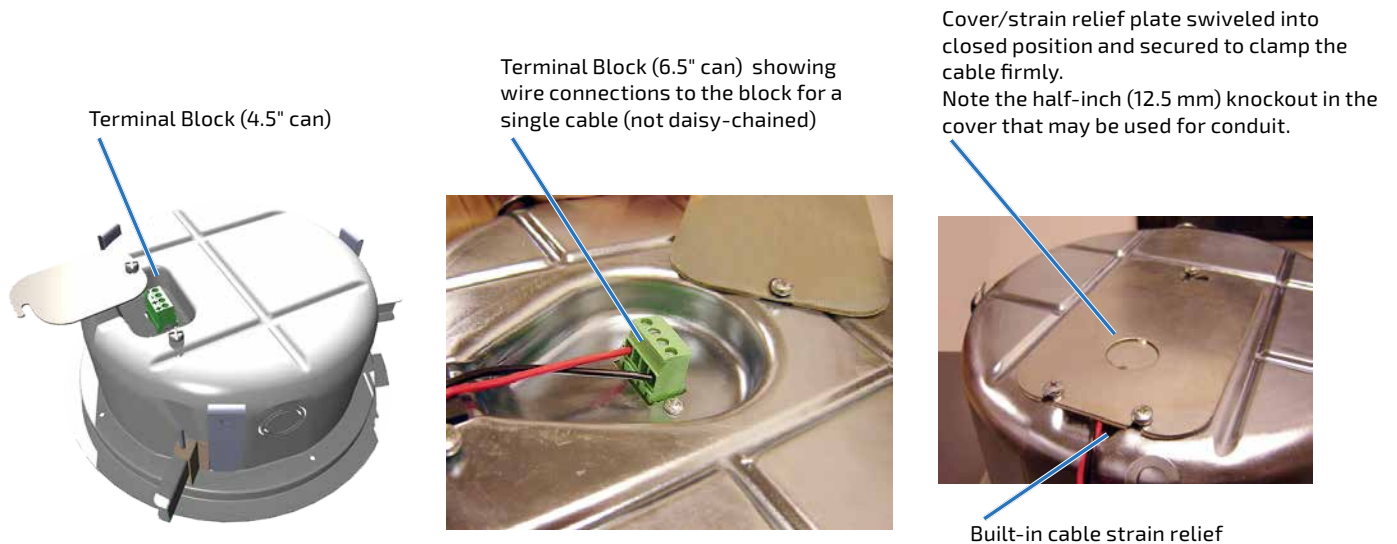


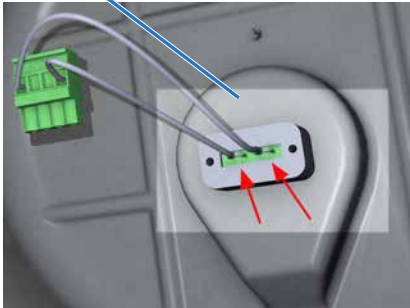
Figure 3. Non-conduit guided wiring to can and wire restraint
(Only use this method when permitted by applicable building and electrical codes!)

Installation and Wiring (continued)

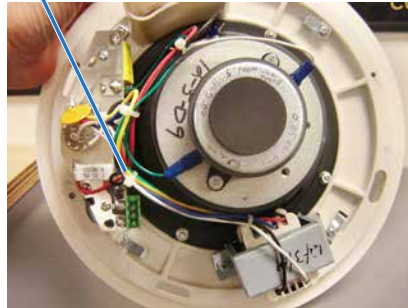


Note: All electrical installation connections for loudspeaker lines are subject to all applicable governmental building and fire codes. The selection of appropriate electrical hardware to interface with the D SERIES loudspeaker lies solely with the installation professional. Community recommends that an appropriately licensed engineer, electrician, or other professional identify and select the appropriate conduit, fittings, wire, etc. for the installation.

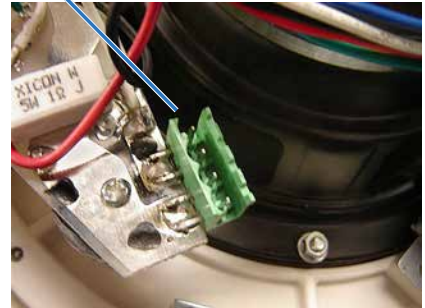
Internal wiring between terminal block and plug-in connector to loudspeaker (factory wired). Red arrows point to the jumpers between the pairs of (+) and (-) terminals in the highlighted area of this image.



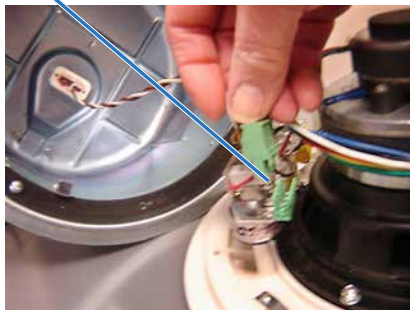
View of 6.5" loudspeaker showing the location of the socket for the wiring connector from the back can.



Close-up view of socket for the wiring connector from the back can.



Connect the plug from the can (or from the conduit wiring, see Figure 5) to this socket on the loudspeaker assembly.



The loudspeaker is now connected to the wires from the can and is ready to mount in the can.

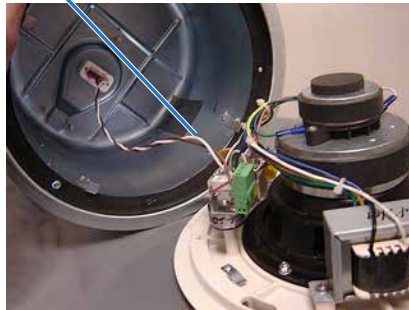


Figure 4. Internal wiring between can terminal block and loudspeaker

Note: It should be obvious that in these photos the loudspeaker and can are not in place in a ceiling, but instead are arranged for photographic convenience.

Installation and Wiring (continued)

Installation of conduit to the back can

Required tools:

- One hammer and knockout punch tool
- One step-bit for adjusting knockout diameter (optional)
- Safety glasses, gloves and other personal safety gear are recommended as this process involves striking metal parts and chipping away debris around the knockouts.

1. All D SERIES loudspeaker back cans have dual-diameter knockout strain relief fittings on each side. These fittings each measure:
 - 21/32" (17mm) to accommodate 3/4" (19 mm) fittings
 - 15/16" (24 mm) to accommodate 1" fittings
 - Also, the top cover has a 3/4" (19 mm) knockout
2. The knockout strain relief ports are opened with a hammer and punch using the same techniques for removing knockouts in standard electrical boxes. A step-bit can be used to modify the diameter of the hole to accommodate larger conduit sizes.
3. Insert appropriate fittings and tighten sufficiently for wire path concealment and strain relief, in accordance with applicable codes.
4. You can use flexible or rigid conduit (if permitted by local electrical codes).

Conduit fitted to one side of the can (an additional knockout strain relief on the opposite side of the can allows the connection wiring to be carried through to subsequent cans)



Conduit fitted to the top cover plate of the can, which has a knockout strain relief for this purpose



Figure 5. Conduit for protected wiring to can

When you use conduit to bring wires to the side port(s) of the back can, you can loosen the screws in the green plug to remove the factory-installed wires from the internal terminal block jumpers (Figure 5), then insert wires from the conduit(s) and tighten the screws. The rest of the wiring details are the same as shown in Figure 4.

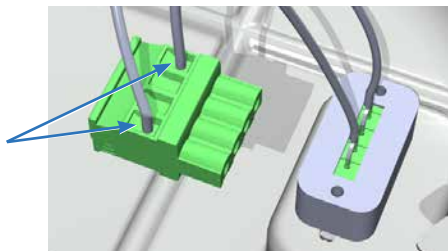


Figure 6. Redeploying the plug for wires entering from conduit
(Loosen clamping screws to remove/replace wires)

Back Can Installation

General

Lay out the loudspeaker locations according to the requirements of the specific installation and in compliance with applicable safety and building codes. It is beyond the scope of this manual to provide guidance in this area. Community does, however, offer our **Forecaster HD** ceiling system software to assist you in distributed loudspeaker system design. Please visit the Products/Software page of the Community website for this software.

We also encourage you to use the provided seismic safety tabs to secure the back cans to the building structure. Again, please be guided by applicable building codes here; we cannot provide detailed rigging instructions due to the wide global variations in such codes and practices.

Procedure (for suspended ceiling)

Note: The optimum situation for installation is into a ceiling where the suspension grid is installed and the tiles have not yet been placed. We designed this series to facilitate installation into an already-placed ceiling, and we are writing the instructions to conform to this more restrictive condition. So when we say something like, "pass the tile bridge support rails through the can cutout," and the adjacent space is unobstructed, of course you should feel free to use the more sensible alternative and just drop the rails into place.

1. Mark the hole location on the ceiling tiles and, using the cutout template provided with your D SERIES loudspeakers, cut a hole to the precise size (Figure 7).
2. Insert the bridge support rails through the can cutout and position them across the rails on either side of the cutout, approximately as far apart as the clips on the C-ring support plate. See Figure 8.

Notes: The bridge support rails each have a raised rib with a flat stabilizing flange on one side which keeps the rail from tipping toward the loudspeaker it is supporting. For this reason, be sure to place the rails so that these stabilizing flanges are facing inward toward the cutout. Community offers 48" (1219mm) tile rails (D-RAIL48-PR) for applications utilizing larger 4 foot long tiles. Install them in the same way as the 24" rails shown at right.

3. Guide the C-ring support plate through the cutout hole and position it centered in the hole and aligned so its attachment clips are closest to the tile bridges you just placed. Slide these bridges as necessary so the C-ring clips can be pressed onto the raised rail ribs, and now snap the C-ring clips onto the rails (Figure 8).
4. Slide the back can into the hole, aligning it so that its input terminal block OR its knockout strain relief locations are consistent with the wiring distribution you have mapped out. When you press the can fully into place, the four spring-loaded **Drop-Stop™** tabs will spread atop the C-ring, and you may hear them "snap" into position; you can now continue without having to hold the can in place (Figure 9).

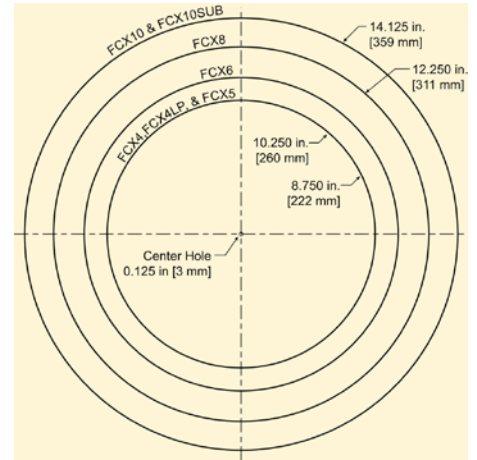


Figure 7. Cutout template dimensions

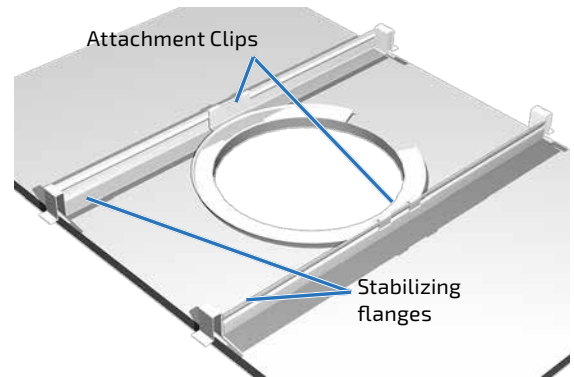


Figure 8. Installing a C-ring support plate onto tile bridge support rails

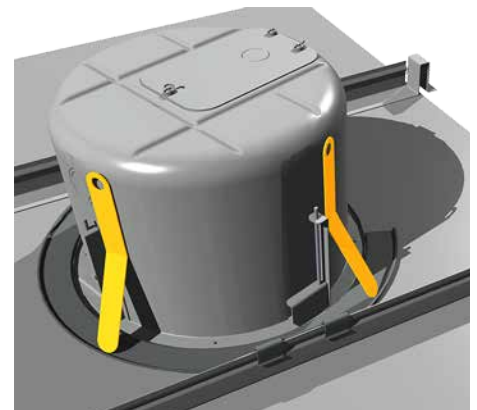


Figure 9. Highlighted **Drop-Stop™** tabs snap out over C-ring support (Temporarily holds can in place even before you secure it with the steel mounting clamps)

Back Can Installation (continued)

Rotate the back can as necessary to ensure all of the clamps are oriented to contact and compress the C-ring to the ceiling tile during Step 5 as follows.

Note: If you're using loose wires, rather than conduit, it makes sense to first connect the wires to the terminal block atop the can, and secure them with the top cover/strain relief, before installing the can through the cutout and into place in the C-ring.

5. Locate the four Phillips-head can clamp actuators around the perimeter of the back can's front flange (see Figure 10). Using a #2 Phillips screwdriver twist each actuator clockwise until you feel resistance as the can clamp presses against the ceiling.
6. Repeat for as many loudspeakers as you need to install. Refer to page 14 for instructions on installing the loudspeaker into the back can.

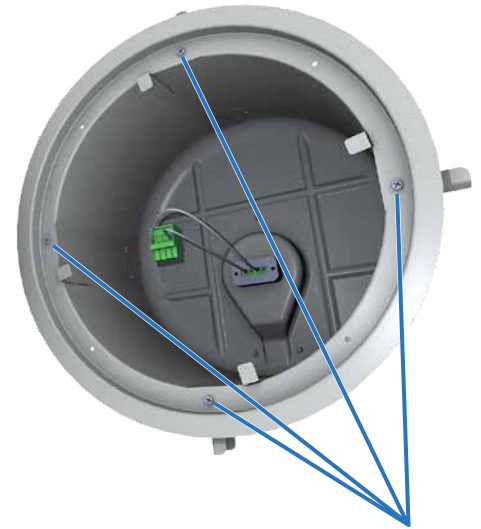


Figure 10. Turning the can clamp actuators clockwise securely locks the back can into the ceiling.

Dry-Wall Ceiling Installation

There are four basic ways to install a D SERIES loudspeaker assembly into a *drywall* ceiling (a.k.a. *sheet rock* or *gypsum board*). Some are for new construction, others for retrofit to existing construction. We recommend some methods over others and of course the choice is yours.

A. The preferred method for new installations is to use the optional New Construction Bracket, pre-installing it directly to the supporting beams before the sheet rock is applied. Multiple small holes on wings to either side of the main cutout hole allow the installer to use screws or nails to secure the ring to the straddling beams. See the following subsection for step-by-step details and variations.

B. An alternative method for new installations – where the ceiling has already been completed – is to use the C-ring Support Plate along with the Tile Bridge Support Rails. While there are in fact not going to be truss members across which the rails fit, nonetheless they will distribute the weight of the loudspeaker assembly across a greater area than the C-ring Adapter alone and will thus avoid sagging that might otherwise occur over time. Cut the hole using the provided template. It is then easy to pass the Tile Bridge Support Rails through the cutout and snap the C-ring Support Plate on top of them. Refer to Figure 8 and to Figure 11.

C. Retrofit a D SERIES Loudspeaker (driver/face plate without back can) into an existing back can using a corresponding D SERIES Face Adapter Ring.

D. Retrofit an entire Community D SERIES Loudspeaker Assembly (including back can) into an existing back can using a corresponding D SERIES Can Adapter Ring.

Note 1: If you are retrofitting a new loudspeaker alone, without back can, into an existing low-profile back can for a 4.5" competitor's model (minimum 3.5" / 89 mm deep), use the D4LP (with Can Adapter/Trim Ring). Both the D4 and D4LP use the same loudspeaker which has a shallow depth.

Note 2: Face Adapter Rings are only available for D4, D4LP, D5 and D6 loudspeakers.

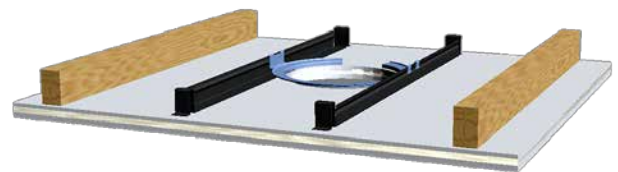


Figure 11. New installation in an existing drywall ceiling using the Tile Bridge Support Rails and C-ring Support Plate.

Back Can Installation (continued)

Pre-Installation in a New Drywall Ceiling

Optional New Construction Brackets are available for installing loudspeakers in new construction before drywall or plaster is put in place. See Figure 12, and refer to the chart on page 18 for sizes and model numbers.

The New Construction Brackets support the loudspeakers in plaster/dry wall ceilings. Multiple holes in the bracket's two "ears" permit convenient attachment to nearby ceiling beams. The drywall typically is cut with a router-type tool, in which case the bracket central hole will serve as a cutout guide for the router bit.

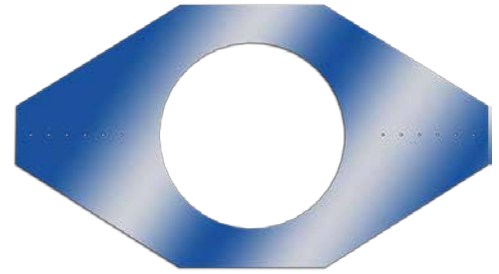



Figure 12. New construction bracket for drywall or lath-and-plaster installations

Inserting the Loudspeaker Assembly into the Back Can

1. Bring the wiring from the ceiling to the top of the can and attach it to the terminal block (see Installation and Wiring on page 9). Secure the wiring with the top plate/strain relief clamp.
2. Slide the back can into the hole. When you press the can fully into place, the four **Drop-Stop** installation assist tabs will spread atop the C-ring, and you may hear them "snap" into position; you can now continue without having to hold the back can in place. The illustration in Figure 9 shows how the **Drop-Stop** tabs work, and is equally applicable with C-ring Support Plate or New Construction Bracket installations in drywall ceilings.
3. Locate the four Phillips-head can clamp actuators around the perimeter of the back can's front flange, and using a #2 Phillips screwdriver twist each actuator clockwise until you feel tension as the clamps securely lock the back can to the ceiling (Figure 10). The back cans leave the Community factory with these clamps fully open (so that approximately 1.5" / 38 mm thick ceilings can be accommodated).

 **Note.** If you are thinking of using the Can Adapter/Trim Ring to fit a complete Community Loudspeaker Assembly into an existing oversize ceiling hole, **PLEASE DO NOT!** **We do not recommend this practice.** The loudspeaker has minimal support and is more apt to cause the ceiling to sag. Also, this almost certainly would not satisfy seismic codes if any such codes are applicable.

Painting the Loudspeaker

The loudspeakers' textured white finish complements most decors and does not require further painting. However, if the interior design requires a custom loudspeaker finish, these loudspeakers are easy to paint.

It is best to paint the baffle before installation. In cases where it needs to be finished along with the ceiling, the loudspeaker baffle can be painted after mounting in the ceiling.

Note: The paint masks provided by Community are intended to PREVENT the loudspeakers from receiving any paint.



Caution: NEVER use abrasives, gasoline, kerosene, acetone, methyl ethyl ketone (MEK), paint thinner, harsh detergents or other chemicals. These chemicals and agents may permanently damage the finish. Some are also toxic and highly flammable.

Type of Paint

The loudspeaker's ABS plastic baffle accepts almost any type of latex or oil based paint. We recommend application of two coats.

Painting Process (to obtain the best results):

1. Clean the baffle with a light solvent such as mineral spirits, rubbing the baffle with a lightly dampened cloth. **Do not** use abrasives such as sandpaper or steel wool.
2. Mask the loudspeaker so that the surround, cone and center area will not receive any paint. If the loudspeaker is already in the ceiling, you may wish to mask the ceiling as well. Use a low-tack painter's tape. We advise against using conventional masking tape and NEVER use duct tape in this application; these kinds of tape generally leave adhesive residue that can be difficult to remove and that may actually cause damage.
3. After cleaning, apply two or more two thin coats of either latex or oil-based paints. Latex paint will adhere better if an oil-based primer is used first. Apply the paint with a roller or brush, or spray it on.
4. The grille should be painted separately, and **not** in place on the loudspeaker. We further recommend that you remove the grille's internal cloth mesh, then spray paint the grille assembly. Avoid using a roller or brush to paint the grille as its metal perforated holes may become clogged with paint, which degrades sound quality and also may attenuate the sound. Reinstall the internal cloth mesh (or if damaged install a new cloth mesh).

Secure the Loudspeaker In the Back Can

When you have made the electrical connections from the wires coming into the can to the loudspeaker then you can mount that loudspeaker into the can.

1. Four **Twist-Assist™** face tabs protrude just inside the can opening. Align the four slots along the periphery of the loudspeaker face with the Phillips-head can clamp actuators. The actuators should be positioned so that they are at the far right of the slots (viewed through the slot from the front of the loudspeaker).
2. Twist the loudspeaker clockwise a few degrees so the **Twist-Assist™** face tabs are positioned at the left of the face slots as you look at the front face (Figures 13 and 14).
3. Four 4mm sheet metal screws come from the factory partially inserted into the plastic face. Use a screwdriver to install these captive screws into the can. Tighten so they are snug against the face, but do not over-tighten them (Figure 15).

Note: Some codes now require that the grille have a safety cable; your local codes may vary. In any case, Community makes it easy to comply with an included security cable system, as detailed in the next section.

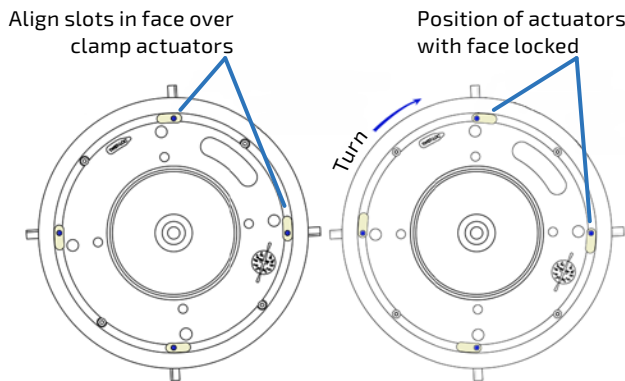


Figure 13. Initial position (left) and loudspeaker face twisted to lock (right)



Figure 14. Four **Twist-Assist™** face tabs inside the back can instantly secure the loudspeaker to the back can with a twist.



Figure 15. Use the four included, captive, 4mm sheet metal screws to secure the loudspeaker into the can. Use the screws after inserting loudspeaker into the back can and twisting to retain it.

Attach Grille Safety Cable

1. Once the loudspeaker is secured in the back can, you can attach the safety cable between the grille and loudspeaker. There is a nylon mono filament loop attached to the grille and looped through a metal clip. Another mono filament line is located inside the bass reflex port of the face of the loudspeaker. Use the metal clip to link these two mono filament loops (Figure 16).
2. Carefully lower the grille until the cable holds it, and let go. It should hang harmlessly from the mono filament line.
3. If you're proceeding with setup, you can leave the grille hanging so you can adjust the power setting as noted below. Otherwise, snap the grille into position on the face of the loudspeaker baffle.

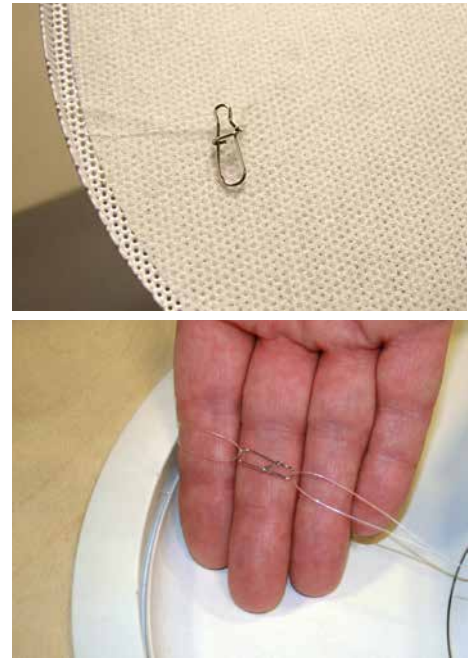



Figure 16. Grille safety clip and line (top) should look like this (bottom) when attached.

Loudspeaker Tap Setting

Use a standard #2 or #3 Phillips or a medium slot-blade screwdriver (not the one provided with the loudspeaker kit), or just press with your thumb firmly, and twist to adjust the power control dial on the front face of the loudspeaker baffle. As shown in Figure 17, you can make any of five different settings, although the dial has dual calibrations so at first glance it appears to have ten settings. The 8 ohm position is the same on both sides and is for a low impedance connection. On the left side of Figure 17's close-up detail view are the power values for 100V connections, and on the right side the power values for 70V connections. (The actual power values on this dial will vary with the model of loudspeaker installed.)

 **Note:** The letters NC mean "no-connect" but they do not actually break a connection. **DO NOT USE** this setting if you're using a 100V distribution scheme as the loudspeaker may draw excessive power; it corresponds to the highest power that can be drawn with a 70V source.

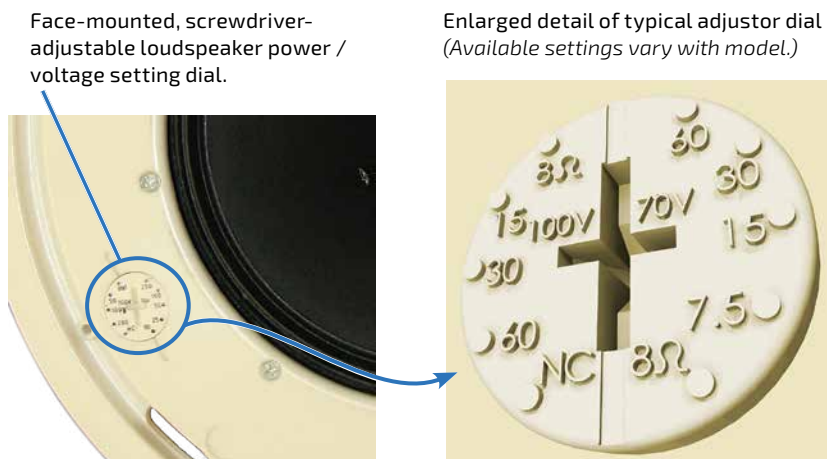


Figure 17. Setting Loudspeaker Tap

This control makes it very easy and fast to balance an installation since there is no need to drop the loudspeakers out of their back cans and move wires to different terminals.

Drawings / Dimensions

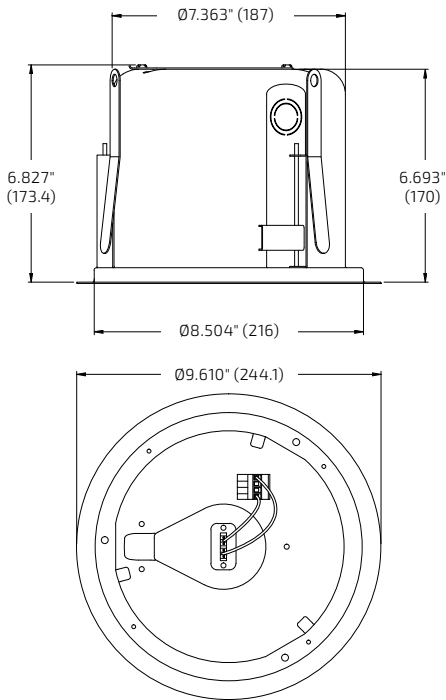


Figure 18. D4, D5, D45 Back can dimensions

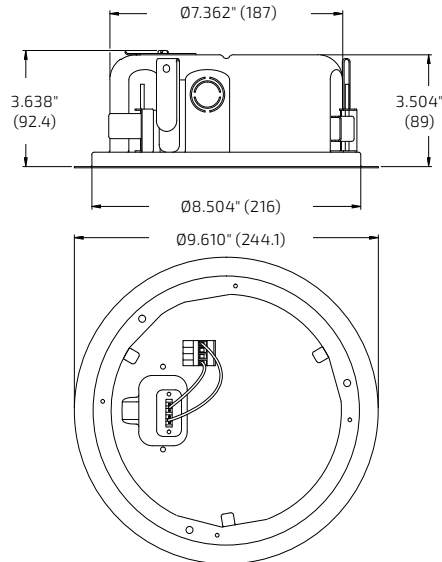


Figure 19. D4LP Back can dimensions

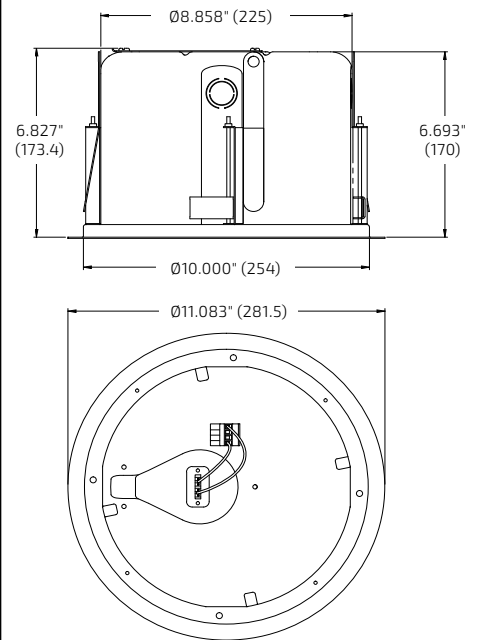


Figure 22. D6 Back can dimensions

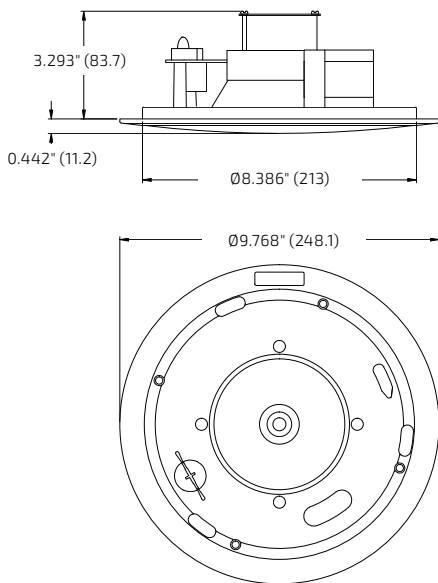


Figure 20. D4 Loudspeaker dimensions

Note: The same D4 Loudspeaker assembly is used for the D4 and D4LP as these models differ only with respect to their back cans.

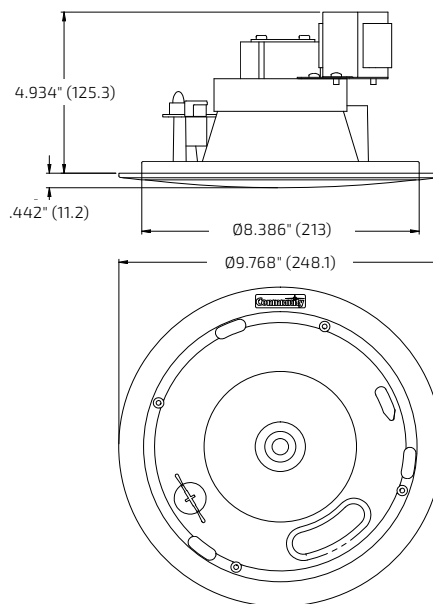


Figure 21. D5 Loudspeaker dimensions

Note: The D5 uses the same back can as the D4.

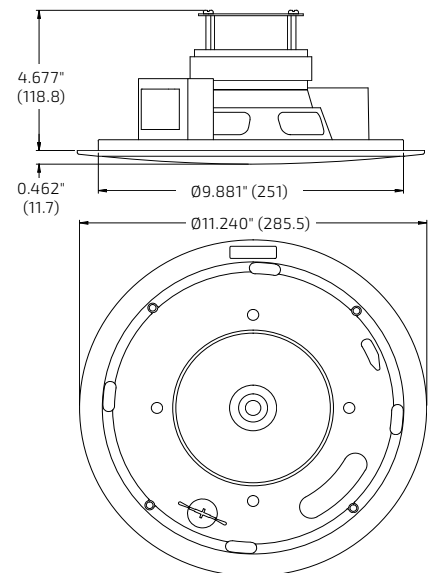


Figure 23. D6 Loudspeaker dimensions

Drawings / Dimensions (continued)

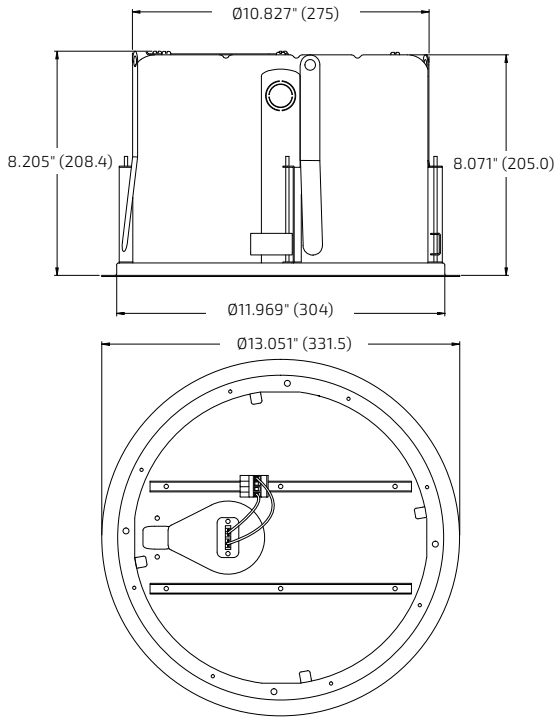


Figure 24. D8 Back can dimensions

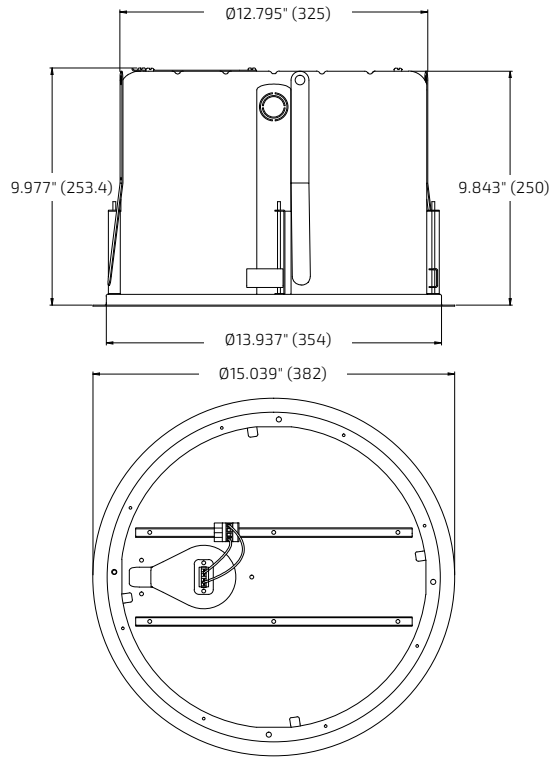


Figure 26. D10 and D10SUB Back can dimensions

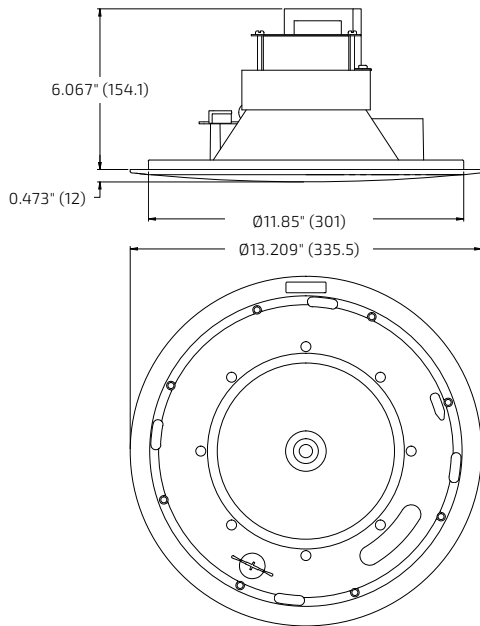


Figure 25. D8 Loudspeaker dimensions

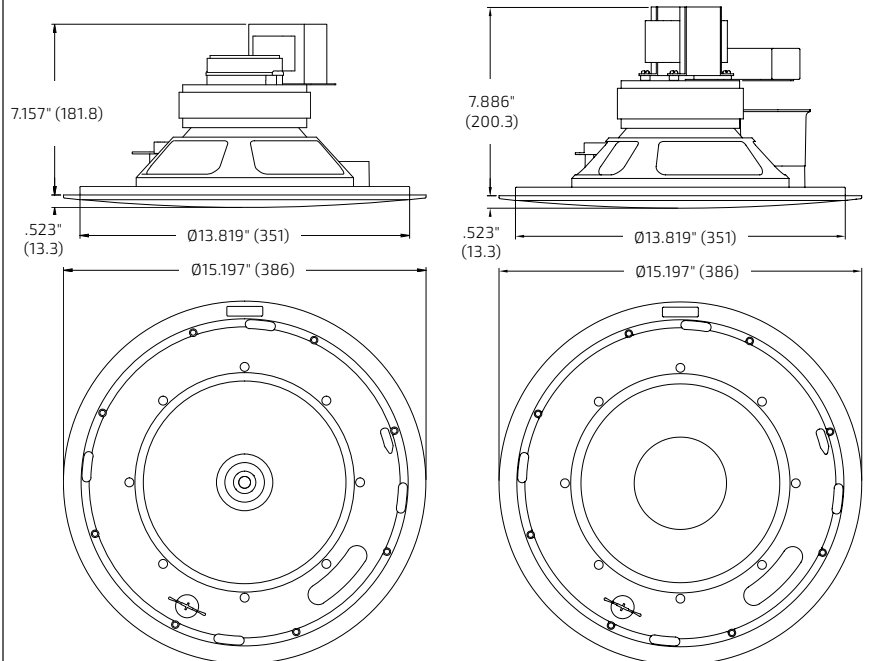


Figure 27. D10 (left) and D10SUB (right) Loudspeaker dimensions

Note: The D10SUB loudspeaker uses the same D10 back can as the D10 loudspeaker.

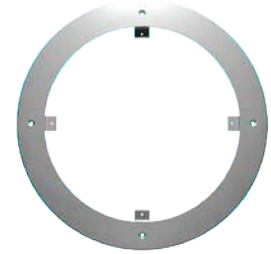
Optional Accessories

Community offers helpful optional accessories that are not included with the basic packages. Please be sure to order these parts separately if you need them.

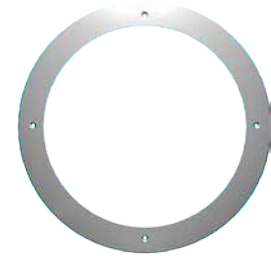
Retrofit rings are available in two types for various loudspeaker group sizes. The Face Adapter Ring allows you to place the D SERIES loudspeaker alone in a non-Community made back can. The Can Adapter/Trim Ring allows you to mount an entire D SERIES loudspeaker assembly with its Community back can in a larger non-Community back can or to mount the loudspeaker assembly into an existing but over-size ceiling cutout hole. If you're performing a retrofit, you will want to order the type of adapter you need in the size suitable for the loudspeaker. As suggested by its name, the Can Adapter ring can be used as a Trim Ring. When used as a trim ring, white rubber hole plugs (included) fill the 4 countersink indents intended for mounting the ring to an existing larger industry back can.

A New Construction Bracket is available for installing loudspeakers in new construction before drywall or plaster is put in place. The drywall typically is cut with a router-type tool or laser guided cutter. The bracket hole will serve as a cutout guide.

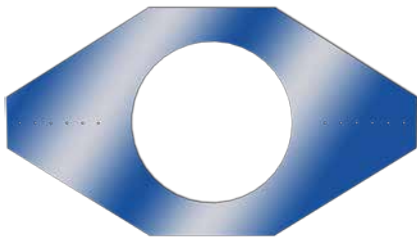
The D SERIES 48" Tile Rails are available to support the D SERIES ceiling loudspeakers in larger 4 ft (1219mm) long tiles. They are installed in the same way as the 24" rails included with the ceiling loudspeakers and can be used with all sizes of the C-ring support plates.



Face Adapter Ring



Can Adapter/Trim Ring
(without and with screw hole plugs)



New Construction Bracket



48" Tile Rails (1 pair)
part number D-RAIL48-PR

Figure 28. Optional Accessories

Size	Ceiling Loudspeaker Packages		Adapter Rings		Brackets	Black Grille
	Assembled		Face	Can Adapter/Trim	New Construction	
4.5" Low Profile	D4LP		D45-FAR	D45-CATR	D45-NCB	D45-GRL-B
4.5"	D4					
5"	D5					
6.5"	D6		D6-FAR D6-FAR-B	D6-CATR D6-CATR-B	D6-NCB	-
8"	D8		-	-	D8-NCB	D8-GRL-B
10"	D10		-	-	D10-NCB	D10-GRL-B
10" Subwoofer	D10SUB		-	-		

Note: All sizes are listed. Some models share a common back can or accessory bracket/ring, as indicated in the chart.

Warranty Information and Service

Transferable warranty "(Limited)" valid in the USA only

The D SERIES Loudspeaker Systems are designed and backed by Community Professional Loudspeakers. For complete warranty information within the USA please refer to the Community website. Please call 610-876-3400 to locate your nearest Authorized Field Service Station.

For Factory Service call 610-876-3400. You must obtain a Return Authorization (R/A) number prior to the return of your product for factory service.

Warranty information and service for countries other than the USA

To obtain specific warranty information, visit the website at communitypro.com/warranty. To obtain available service locations for countries other than the United States of America, contact the authorized Community Distributor for your specific country or region.

Shipping damage

If the product is damaged during transit you must file a damage claim directly with the freight company. Be sure to save the carton and packing materials, as damage claims can be denied if these materials are not retained. If evidence of physical damage exists upon arrival, be cautious before signing a delivery acceptance receipt. Often, the fine print will waive your right to file a claim for damage or loss after you sign it. Make sure that the number of cartons shown on the freight documents have actually been delivered.

Find the latest online

The latest version of this manual and the most recent product information is always available at Community's website: www.communitypro.com

Notes:



Community Professional Loudspeakers
333 East Fifth Street, Chester, PA 19013-4511 USA
Phone: (610) 876-3400 • Fax: (610) 874-0190
www.communitypro.com

©2016 Community Professional Loudspeakers
All Rights Reserved.

04DEC2016