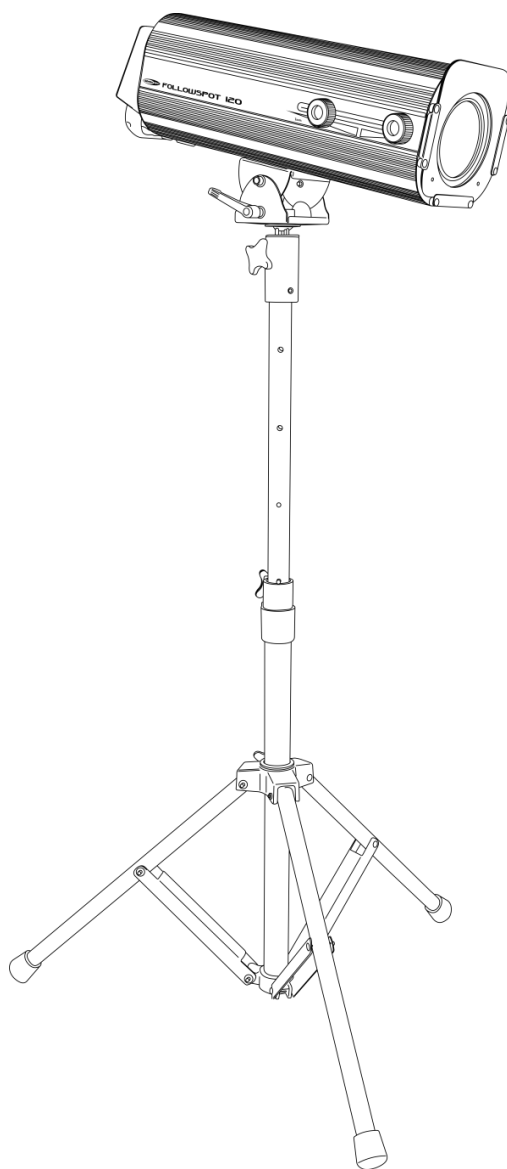




MANUAL



ENGLISH

Followspot LED 120W

V1

Ordercode: 40120

Table of contents

Warning	2
Safety Instructions	2
Operating Determinations	4
Rigging	4
Return Procedure	6
Claims.....	6
Description of the device	7
Overview	7
Frontside.....	8
Backside	9
Installation	9
Set Up and Operation	9
Mounting the Followspot Onto the Tripod	10
Inclination Screw	11
Dimmer.....	12
Iris.....	12
Strobe	12
Color Temperature	12
Manual Zoom and Manual Focus	12
Maintenance	13
Replacing the Fuse	13
Troubleshooting	14
No Light	14
Product Specifications	15
Dimensions	16
Notes	17

Warning



**For your own safety, please read this user manual carefully
before your initial start-up!**

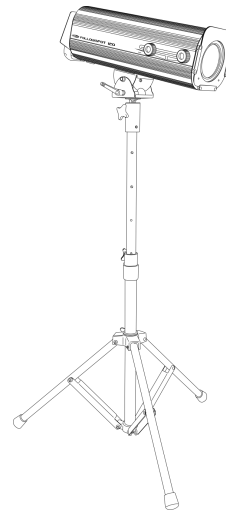


Unpacking Instructions

Immediately upon receiving this product, carefully unpack the carton and check the contents to ensure that all parts are present, and have been received in good condition. Notify the dealer immediately and retain packing material for inspection if any parts appear damaged from shipping or the carton itself shows signs of mishandling. Save the carton and all packing materials. In the event that a fixture must be returned to the factory, it is important that the fixture be returned in the original factory box and packing.

Your shipment includes:

- Showtec Followspot LED 120W
- Tripod (875-1320 mm)
- Pro power cable (1,5 m)
- User manual



CAUTION!
Keep this device away from rain and moisture!
Unplug mains lead before opening the housing!



Safety Instructions

Every person involved with the installation, operation and maintenance of this device has to:

- be qualified
- follow the instructions of this manual



CAUTION! Be careful with your operations.
**With a dangerous voltage you can suffer
a dangerous electric shock when touching the wires!**



Before the initial start-up, please make sure that there is no damage caused by transportation. Should there be any, consult your dealer and do not use the device.

To maintain perfect condition and to ensure a safe operation, it is absolutely necessary for the user to follow the safety instructions and warning notes contained in this manual.

Please consider that damages caused by manual modifications to the device are not subject to warranty.

This device contains no user-serviceable parts. Refer servicing to qualified technicians only.

IMPORTANT:

The manufacturer will not accept liability for any resulting damages caused by the non-observance of this manual or any unauthorized modification to the device.

- Never let the power cord come into contact with other cables! Handle the power cord and all connections with the mains with particular caution!
- Never remove warning or informative labels from the unit.
- Never use anything to cover the ground contact.
- Never lift the fixture holding it by the projector-head, as the mechanics may be damaged. Always hold the fixture by the transport handles.
- Never place any material over the lens.
- Never look directly into the light source.
- Never leave any cables lying around.
- Do not insert objects into air vents.
- Do not connect this device to a dimmer pack.
- Do not switch the device on and off in short intervals, as this will reduce the device's life.
- Do not touch the device's housing bare-handed during its operation (housing becomes very hot). Allow the fixture to cool for at least 5 minutes before handling.
- Do not shake the device. Avoid brute force when installing or operating the device.
- Only use the device indoors, avoid contact with water or other liquids.
- Only operate the fixture after having checked if the housing is firmly closed and all screws are tightly fastened.
- Only operate the device after having familiarized with its functions.
- Avoid flames and do not put close to flammable liquids or gases.
- Always keep the case closed while operating.
- Always allow a free air space of at least 80 cm around the unit for ventilation.
- Always disconnect power from the mains, when device is not used or before cleaning! Only handle the power cord holding it by the plug. Never pull out the plug by tugging the power cord.
- Make sure that the device is not exposed to extreme heat, moisture or dust.
- Make sure that the available voltage is not higher than stated on the rear panel.
- Make sure that the power cord is never crimped or damaged. Check the device and the power cord from time to time.
- If the lens is obviously damaged, it has to be replaced, so that its functions are not impaired due to cracks or deep scratches.
- If device was dropped or struck, disconnect mains power supply immediately. Have a qualified engineer inspect for safety before operating.
- If the device has been exposed to drastic temperature fluctuation (e.g. after transportation), do not switch it on immediately. The arising condensation water might damage your device. Leave the device switched off until it has reached room temperature.
- If your Showtec device fails to work properly, discontinue the use immediately. Pack the unit securely (preferably in the original packing material), and return it to your Showtec dealer for service.
- For adult use only. The fixture must be installed beyond the reach of children. Never leave the unit running unattended.
- Never attempt to bypass the thermostatic switch or fuses.
- For replacement use lamps and fuses of same type and rating only.
- The user is responsible for correct positioning and operating of the Followspot. The manufacturer will not accept liability for damages caused by the misuse or incorrect installation of this device.
- This device falls under protection class I. Therefore it is essential to connect the yellow/green conductor to earth.
- Repairs, servicing and electric connection must be carried out by a qualified technician.
- WARRANTY: Till one year after date of purchase.



CAUTION! Eyedamages!!!
Avoid looking directly into the lightsource!!!
(meant especially for epileptics)!!!



Operating Determinations

- This device is not designed for permanent operation. Consistent operation breaks will ensure that the device will serve you for a long time without defects.
- The minimum distance between light output and the illuminated surface must be bigger than 1 meter.
- The maximum ambient temperature $t_a = 40^\circ\text{C}$ must never be exceeded.
- The relative humidity must not exceed 50 % with an ambient temperature of 40°C .
- If this device is operated in any other way than the one described in this manual, the product may suffer damages and the warranty becomes void.
- Any other operation may lead to dangers like short-circuit, burns, electric shock, crash, etc.

You endanger your own safety and the safety of others!

Rigging

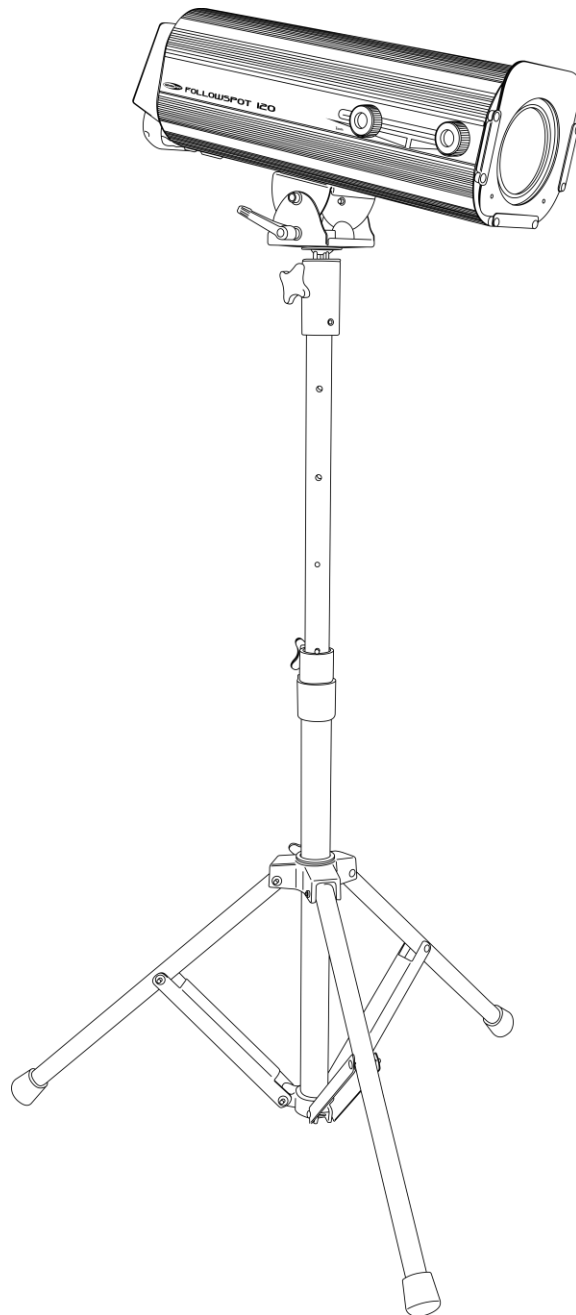
Please follow the European and national guidelines concerning rigging, trussing and all other safety issues.

Do not attempt the installation yourself !

Always let the installation be carried out by an authorized dealer !

Procedure:

- If the Followspot is lowered from the ceiling or high joists, professional trussing systems have to be used.
- Use a clamp to mount the Followspot, with the mounting bracket, to the trussing system.
- The Followspot must never be fixed swinging freely in the room.
- The installation must always be secured with a safety attachment, e.g. an appropriate safety net or safety cable.
- When rigging, derigging or servicing the Followspot, always make sure, that the area below the installation site is secured and that there are not any unauthorized people around.



The Followspot can be mounted to the included tripod.

Improper installation can cause serious injuries and/or damage of property!

Connection with the mains

Connect the device to the mains with the power-plug.
Always check if the right color cable is connected to the right place.

International	EU Cable	UK Cable	US Cable	Pin
L	BROWN	RED	YELLOW/COPPER	PHASE
N	BLUE	BLACK	SILVER	NEUTRAL
⊕	YELLOW/GREEN	GREEN	GREEN	PROTECTIVE GROUND

Make sure that the device is always properly connected to the earth!

Improper installation can cause serious injuries and/or damage of property!



Return Procedure

Returned merchandise must be sent prepaid and in the original packing, call tags will not be issued. Package must be clearly labeled with a Return Authorization Number (RMA number). Products returned without an RMA number will be refused. Highlite will not accept the returned goods or any responsibility. Call Highlite 0031-455667723 or mail offersales@highlite.nl and request an RMA prior to shipping the fixture. Be prepared to provide the model number, serial number and a brief description of the cause for the return. Be sure to properly pack fixture, any shipping damage resulting from inadequate packaging is the customer's responsibility. Highlite reserves the right to use its own discretion to repair or replace product(s). As a suggestion, proper UPS packing or double-boxing is always a safe method to use.

Note: If you are given an RMA number, please include the following information on a piece of paper inside the box:

- 01) Your name
- 02) Your address
- 03) Your phone number
- 04) A brief description of the symptoms

Claims

The client has the obligation to check the delivered goods immediately upon delivery for any shortcomings and/or visible defects, or perform this check after our announcement that the goods are at their disposal. Damage incurred in shipping is the responsibility of the shipper; therefore the damage must be reported to the carrier upon receipt of merchandise.

It is the customer's responsibility to report and submit claims with the shipper in the event that a fixture is damaged due to shipping. Transportation damage has to be reported to us within one day after receipt of the delivery.

Any return shipment has to be made post-paid at all times. Return shipments must be accompanied with a letter defining the reason for return shipment. Non-prepaid return shipments will be refused, unless agreed otherwise in writing.

Complaints against us must be prepared in writing or sent by fax within 10 working days after receipt of the invoice. After this period complaints will not be handled anymore.

Complaints will only then be considered if the client has so far complied with all parts of the agreement, regardless of the agreement from which the obligation is resulting.

Description of the device

Features

The Followspot LED 120W is a compact spot effect with high output.

- Input voltage: 100-240V AC, 50/60Hz
- Power consumption: 190W
- Light source: 1 x CW (120W, 10000K)
- Lumen: 4000+
- Lux@3m: 27500 (8°)
- Refresh rate: 4000Hz
- Dimmer: 0-100%
- Strobe: 0-20Hz
- Colors: 4 colors + open
- Iris: 2-100% (manual)
- Beam angle: 8-15°
- Faders: Dimmer, Iris, Strobe
- Housing: Steel, powder coat finish
- IP rating: IP-20
- Cooling: Forced cooling (fan)
- Connections: Pro power connector Blue IN
- Fuse: F5AL/250V
- Dimensions (Followspot): 550 x 225 x 245 mm (LxWxH)
- Weight (Followspot): 10,2 kg
- Dimensions (tripod): 840 x 1320 mm (WxH)
- Weight (tripod): 5,9 kg

Overview

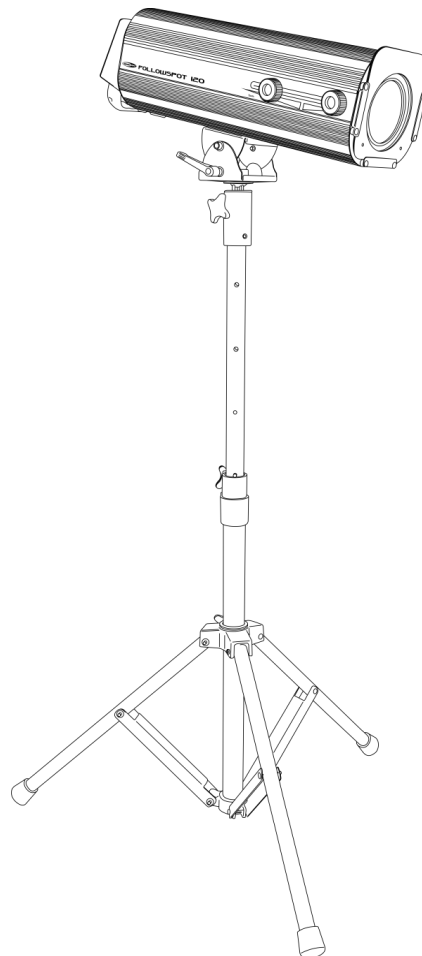


Fig. 01

Frontside

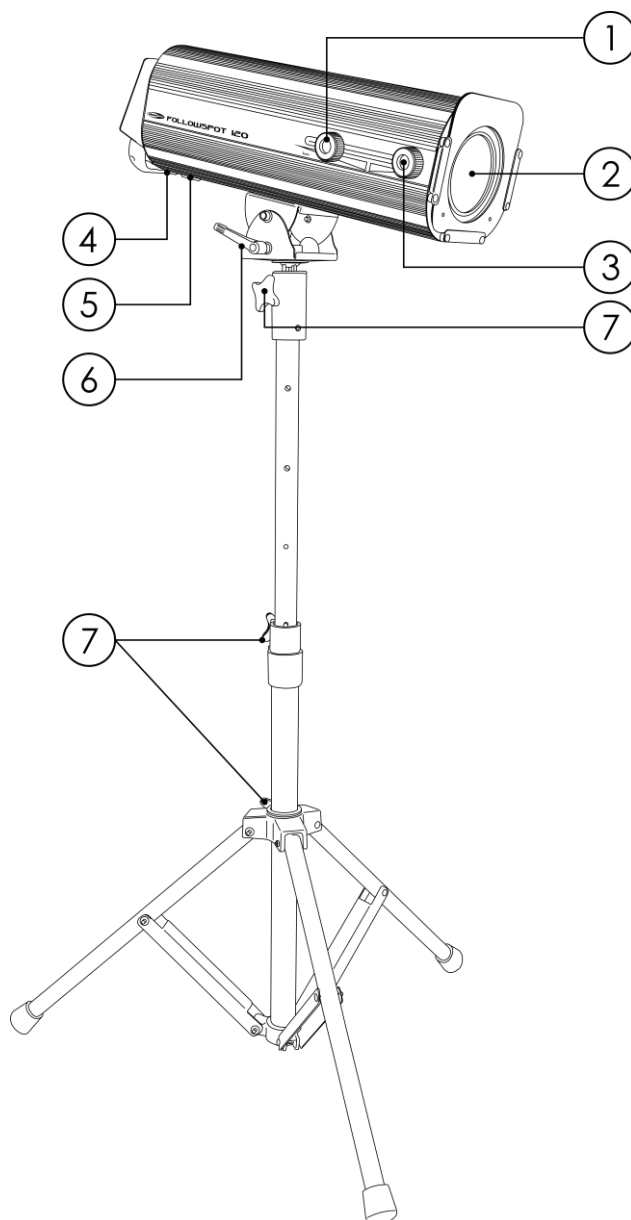


Fig. 02

- 01) Manual zoom control
- 02) 1 x CW (120W, 10000K)
- 03) Manual focus control
- 04) Fuse F5AL/250V
- 05) 100-240V AC Pro power connector Blue IN
- 06) Mounting bracket with inclination screw
- 07) Adjustment screws

Backside

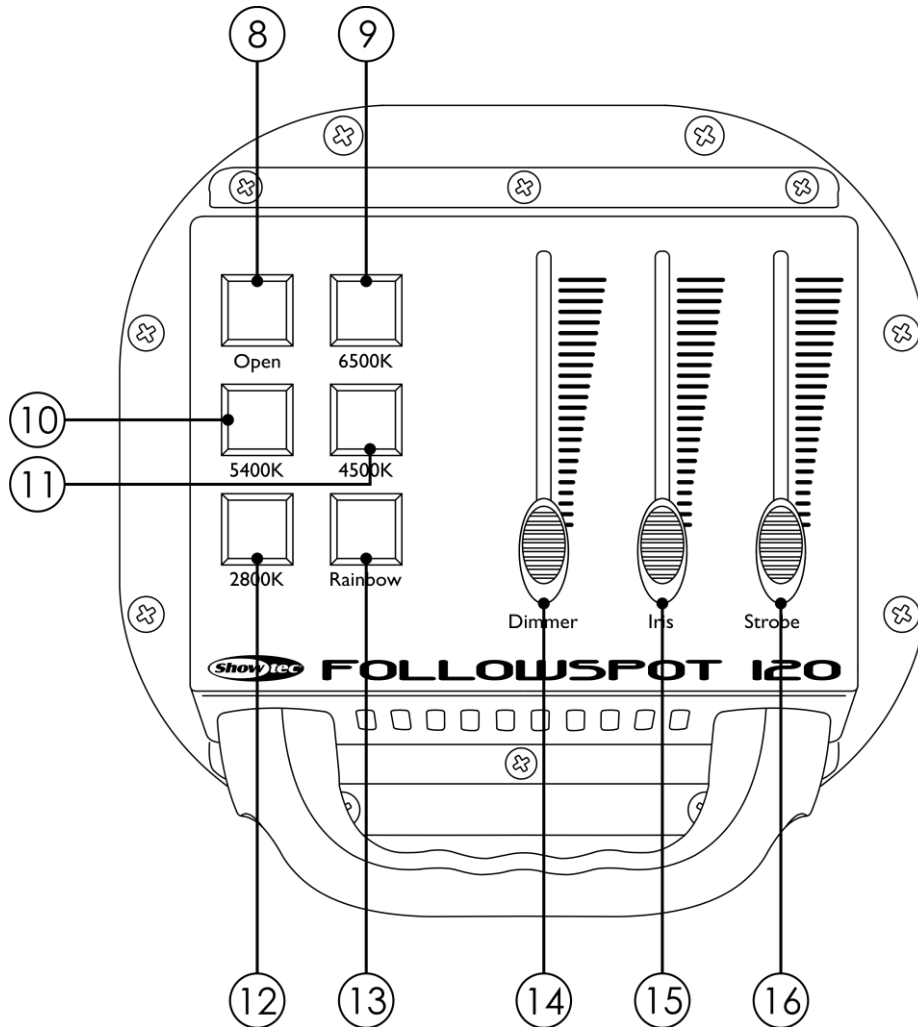


Fig. 03

- 08) OPEN button
- 09) 6500K button
- 10) 5400K button
- 11) 4500K button
- 12) 2800K button
- 13) RAINBOW button
- 14) Dimmer fader
- 15) Iris fader
- 16) Strobe fader

Installation

Remove all packing materials from the Followspot LED 120W. Check if all foam and plastic padding is removed. Connect all cables.

Do not supply power before the whole system is set up and connected properly.

Always disconnect from electric mains power supply before cleaning or servicing.

Damages caused by non-observance are not subject to warranty.

Set Up and Operation

Follow the directions below, as they pertain to your preferred operation mode.

Before plugging the unit in, always make sure that the power supply matches the product specification voltage. Do not attempt to operate a 120V specification product on 230V power, or vice versa.

Connect the device to the main power supply.

Mounting the Followspot Onto the Tripod

01) Remove the mounting screw from the tripod, by turning it counterclockwise.

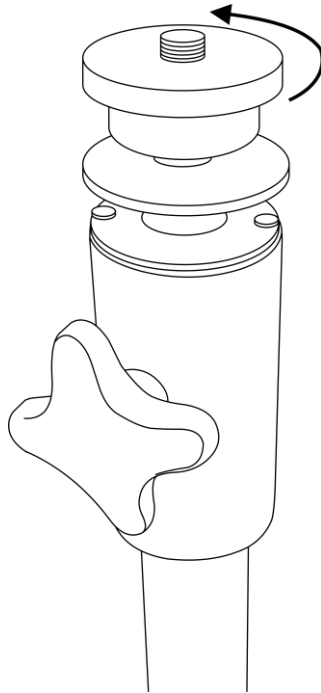


Fig. 04

02) Place the Followspot on the tripod.

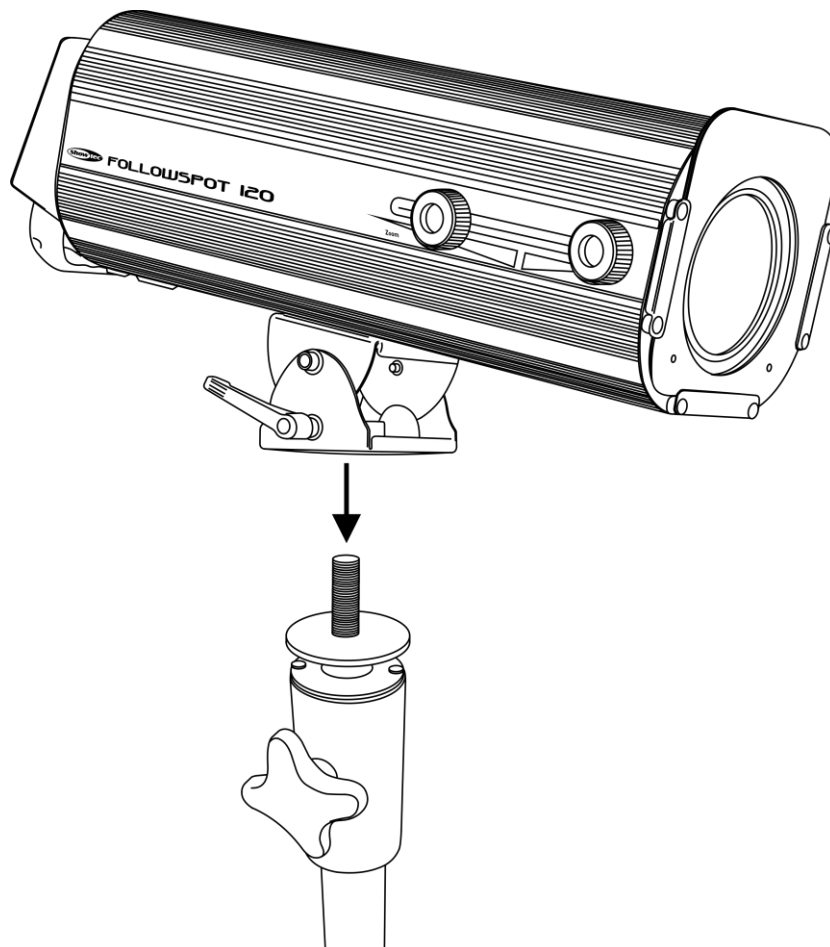


Fig. 05

03) Tighten the mounting screw.

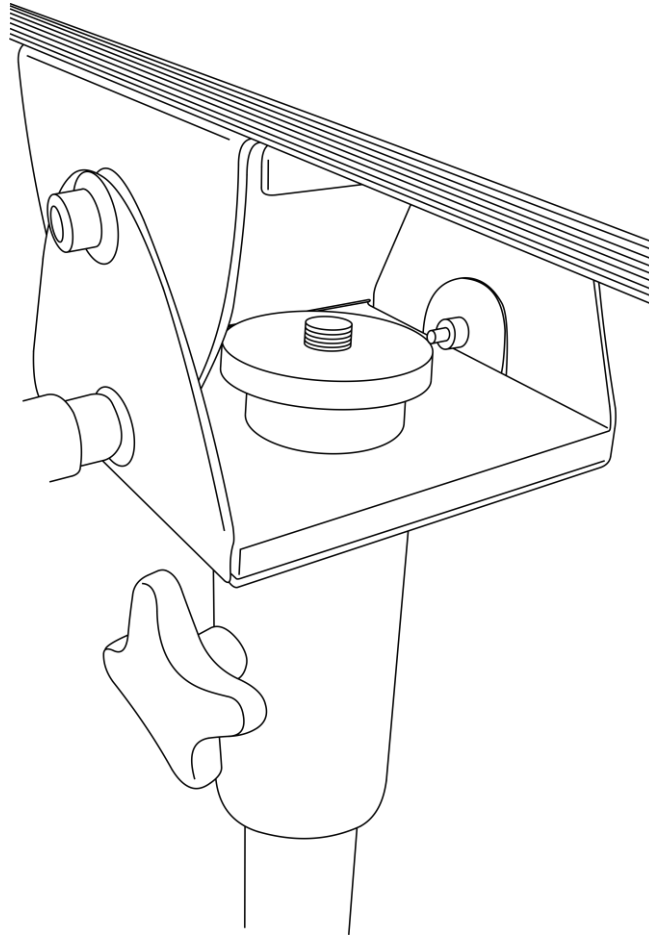


Fig. 06

Inclination Screw

- 01) Loosen the inclination screw and tilt the Followspot to the desired angle.
- 02) Tighten the inclination screw.

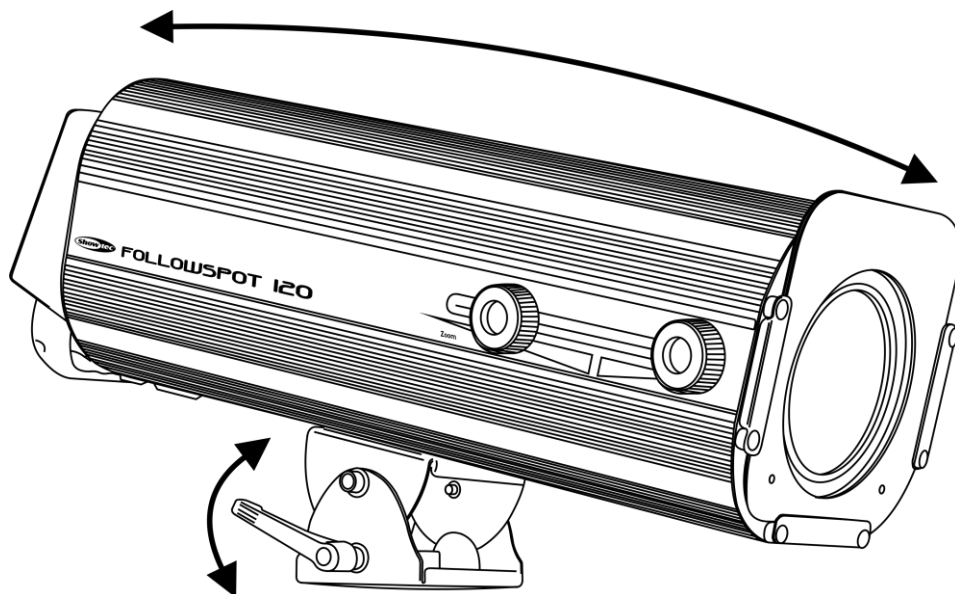


Fig. 07

Dimmer

Move the dimmer fader **(14)** to set the desired dimmer brightness. The adjustment range is from dark to brightest.

Iris

Move the iris fader **(15)** to set the iris position. The adjustment range is from OFF to full iris.

Strobe

Move the strobe fader **(16)** to set the desired strobe frequency. The adjustment range is from OFF to high strobe frequency.

Color Temperature

- 01) Press one of the color temperature buttons **(08/09/10/11/12)** in order to set the desired color temperature.
- 02) If you press the OPEN button **(08)**, the device will use the default color temperature.
- 03) If you press one of the color temperature buttons **(09/10/11/12)**, the device will use one of 4 available color temperature settings: 2800K, 4500K, 5400K or 6500K.
- 04) If you press the RAINBOW button **(13)**, the device will continuously switch the available 4 color temperature settings.

Manual Zoom and Manual Focus

- 01) Loosen the zoom and focus controls **(01/03)** by turning them to the left.
- 02) Slide the zoom and focus controls back and forth, to set the desired zoom and focus.
- 03) Tighten the zoom and focus controls **(01/03)** by turning them to the right.

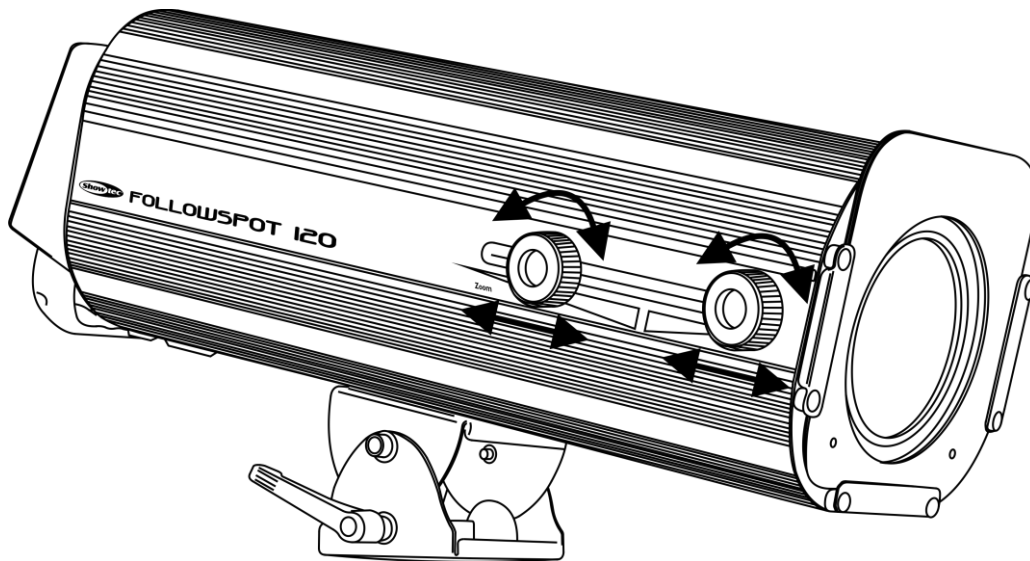


Fig. 08

Maintenance

The operator has to make sure that safety-related and machine-technical installations are to be inspected by an expert after every year in the course of an acceptance test.

The operator has to make sure that safety-related and machine-technical installations are to be inspected by a skilled person once a year.

The following points have to be considered during the inspection:

- 01) All screws used for installing the device or parts of the device have to be tightly connected and must not be corroded.
- 02) There may not be any deformations on housings, fixations and installation spots.
- 03) Mechanically moving parts like axles, eyes and others may not show any traces of wearing.
- 04) The electric power supply cables must not show any damages or material fatigue.

The Followspot requires almost no maintenance. However, you should keep the unit clean. Otherwise, the fixture's light output will be significantly reduced. Disconnect the mains power supply, and then wipe the cover with a damp cloth. Do not immerse in liquid. Wipe lens clean with glass cleaner and a soft cloth. Do not use alcohol or solvents.

The front lens will require weekly cleaning, as smoke-fluid tends to build up residues, reducing the light output very quickly.

Please clean internal components once a year with a light brush and vacuum cleaner.

Make sure connections are thoroughly dry before supplying electric power.

Replacing the Fuse

Power surges, short-circuit or inappropriate electrical power supply may cause a fuse to burn out. If the fuse burns out, the product will not function whatsoever. If this happens, follow the directions below.

- 01) Unplug the unit from electric power source.
- 02) Insert a screwdriver into the fuse holder. Turn the fuse holder counterclockwise. The fuse holder will come out.
- 03) Remove the used fuse. If brown or unclear, it is burned out.
- 04) Insert the replacement fuse into the holder where the old fuse was. Reinsert the fuse holder. Be sure to use a fuse of the same type and specification. See the product specification label for details.

Troubleshooting

This troubleshooting guide is meant to help solve simple problems.

If a problem occurs, carry out the steps below in sequence until a solution is found. Once the unit operates properly, do not carry out following steps.

No Light

If the light effect does not operate properly, refer servicing to a technician.

Suspect three potential problem areas as: the power supply, the LEDs, the fuse.

01) Power supply. Check if the unit is plugged into an appropriate power supply.

02) The LEDs. Return the Followspot to your Showtec dealer.

03) The fuse. Replace the fuse. See page 13 for replacing the fuse.

04) If all appears to be O.K., plug the unit in again.

05) If you are unable to determine the cause of the problem, do not open the Followspot, as this may damage the unit and the warranty will become void.

06) Return the device to your Showtec dealer.

Problem	Probable cause(s)	Solution
The fixture does not function at all	No power to the fixture	<ul style="list-style-type: none"> Check if power is switched on and cables are plugged in
	Primary fuse blown	<ul style="list-style-type: none"> Replace the fuse.
No light or LEDs cut out intermittently	Fixture is too hot	<ul style="list-style-type: none"> Allow the fixture to cool down Make sure air vents and the front lens are not blocked Turn up the air conditioning
	LEDs are damaged	<ul style="list-style-type: none"> Disconnect the fixture and return it to your dealer
	The power supply settings do not match local AC voltage and frequency	<ul style="list-style-type: none"> Disconnect fixture. Check settings and correct if necessary

Product Specifications

Model:	Showtec Followspot LED 120W
Input voltage:	100-240V AC, 50/60Hz
Power consumption:	190W
Fuse:	F5AL/250V
Dimensions (Followspot):	550 x 225 x 245 mm (LxWxH)
Weight (Followspot):	10,2 kg
Dimensions (tripod):	840 x 1320 mm (WxH)
Weight (tripod):	5,9 kg
Electro-mechanical effects:	
Light source:	1 x CW (120W, 10000K)
Lumen:	4000+
Lux@3m:	27500 (8°)
Refresh rate:	4000Hz
Dimmer:	0-100%
Strobe:	0-20Hz
Colors:	4 colors + open
Iris:	2-100% (manual)
Beam angle:	8-15°
Faders:	Dimmer, Iris, Strobe
Housing:	Steel, powder coat finish
IP rating:	IP-20
Cooling:	Forced cooling (fan)
Connections:	Pro power connector IN
Max. ambient temperature t_a :	40°C
Max. housing temperature t_B :	70°C
Minimum distance:	
Minimum distance from flammable surfaces:	0,8 m
Minimum distance to lighted object:	1 m

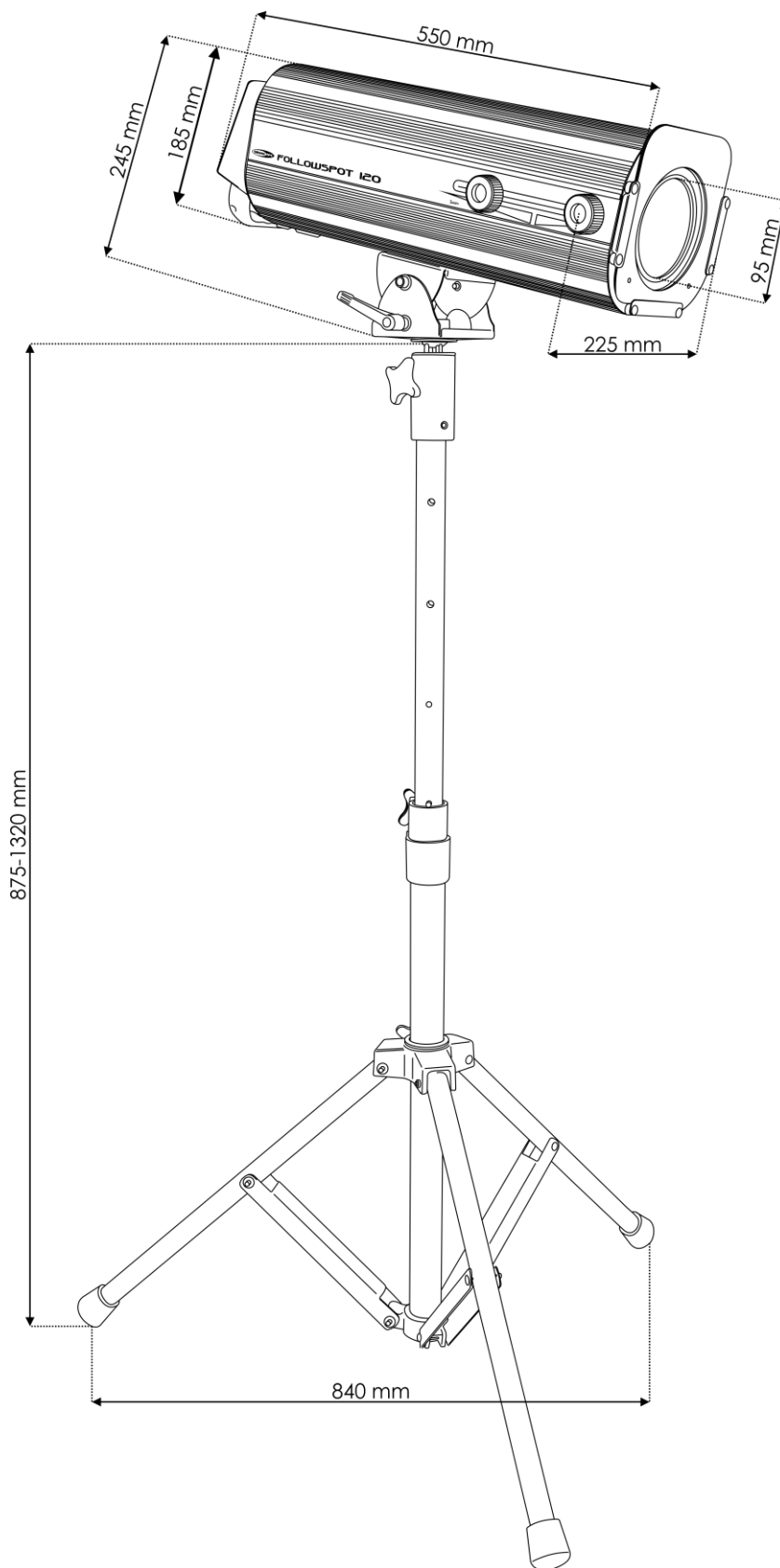
Design and product specifications are subject to change without prior notice.



Website: www.Showtec.info

Email: service@highlite.nl

Dimensions





©2017 Showtec