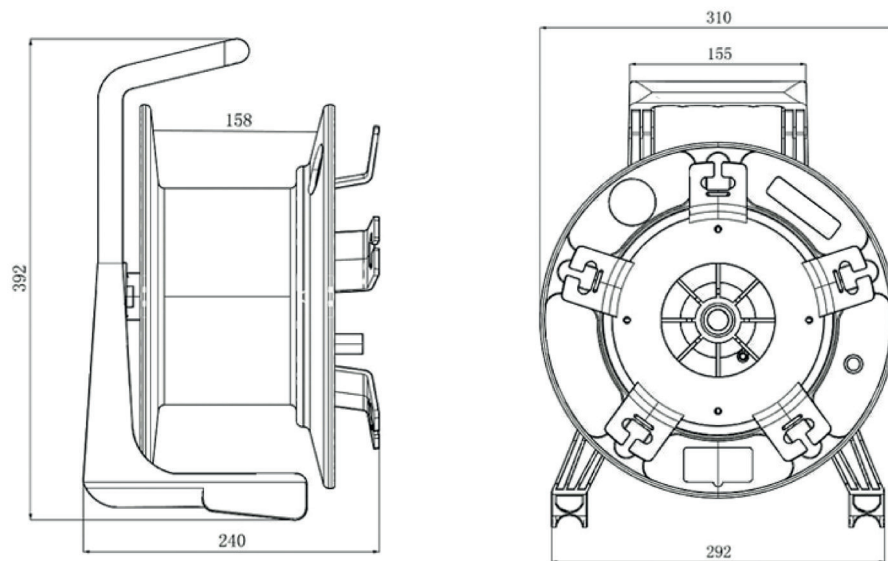


70225



FEATURES

The AH 70225 cable drum is made of shatter-proof, environmentally friendly plastic and ensures regular, professional transport and storage of cables of all kinds. The sturdy, smooth-running design with ergonomic handle is equipped with a removable cable guide and parking brake and weighs only 1.8 kg.

Capacity:	
6.0 mm \varnothing	170 m
6.5 mm \varnothing	140 m
8 mm \varnothing	90 m
10 mm \varnothing	64 m
12 mm \varnothing	39 m
14 mm \varnothing	32 m
Product Type:	cable drum
Material:	PC (frame), PE (drum), PP (foot)
Colour:	black

