



iLive 2 Wireless microphone system



User manual

IMPORTANT SAFETY INSTRUCTIONS

WARNING:
TO REDUCE THE RISK OF FIRE, ELECTRIC SHOCK OR PRODUCT DAMAGE, DO NOT EXPOSE THIS APPARATUS TO RAIN, MOISTURE, DRIPPING OR SPLASHING AND THAT NO OBJECTS FILLED WITH LIQUIDS, SUCH AS VASES, SHALL BE PLACED ON THE APPARATUS.

When using this electronic device, basic precautions should always be taken, including the following:

1. Read all instructions before using the product.
2. Do not use this product near water (e.g., near a bathtub, washbowl, kitchen sink, in a wet basement or near a swimming pool etc).
3. Use this device when you are sure that microphone receiver has a stable base and it is fixed securely.
4. This product, in combination with loudspeakers and amplifier may be capable of producing sound levels that could cause permanent hearing loss. Do not operate for a long period of time at a high volume level or at a level that is uncomfortable. If you experience any hearing loss or ringing in the ears, you should consult with otorhinolaryngologists.
5. The product should be located away from heat sources such as radiators, heat vents, or other devices that produce heat.
6. The product should be connected to a power supply that is described in the operating instructions or are marked on the product.
7. The power supply should be undamaged and never share an outlet or extension cord with other devices. Never leave device plugged into the outlet when it is not being used for a long period of time.
8. Care should be taken that objects do not fall into liquids and liquids would not be spilled on the device.
9. The product should be serviced by qualified service personnel if:
 - The power supply or the plug has been damaged.
 - Objects have fallen into or liquid has been spilled on the product.
 - The product has been exposed to rain.
 - The product has been dropped or the enclosure damaged.
10. There are some areas with high voltage inside, to reduce the risk of electric shock do not remove cover of the microphone receiver or power supply. The cover should be removed by the qualified personnel only.

No user serviceable parts inside.

CONTENTS:

<u>Before you start</u>	
Introductions	4
Features	4
<u>Operation</u>	
Front panel	5
Rear panel	5
Handheld microphone	6
Body pack transmitter	6
Receiver operation	7
Handheld microphone operation	7
Body pack transmitter operation	8
Synchronization	8
Receiver's menu	9
<u>Specifications</u>	
General specifications	14

Introduction

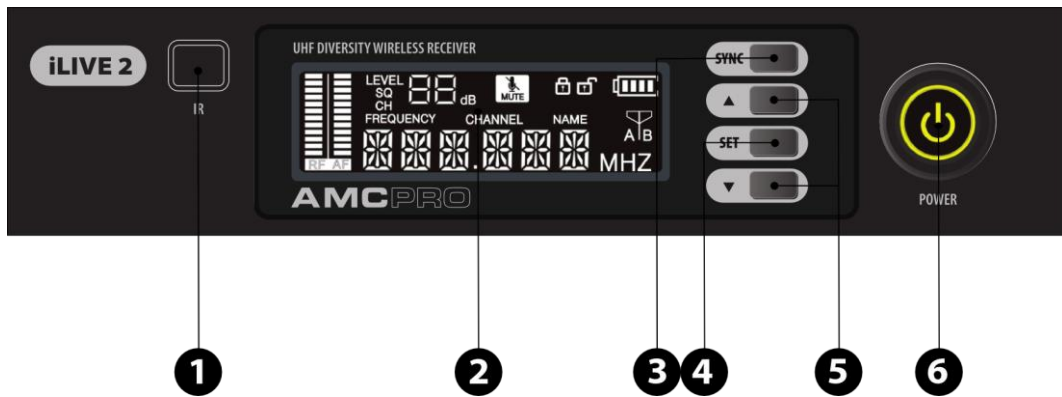
Wireless microphone systems with 32 selectable channels and automatic channel targeting. iLive2 wireless microphones sets are combined with handheld or body pack transmitter with variety of microphone selection to use with body pack.

Features

- 32 selectable channels
- Automatic channel targeting ACT synchronization
- High brightness LCD display
- RF, AF level meter
- Digital volume and squelch control
- Lock menu function
- Handheld microphone with LCD display
- RF power selector for battery life saving mode or working distance range increase
- Excellent quality metal body microphone equipped with dynamic cardioid capsule
- Body pack transmitter with LCD display, channel, frequency and low battery indications
- Balanced XLR connector and unbalanced 6,3mm TS jack connector outputs. Jack/Jack cable included

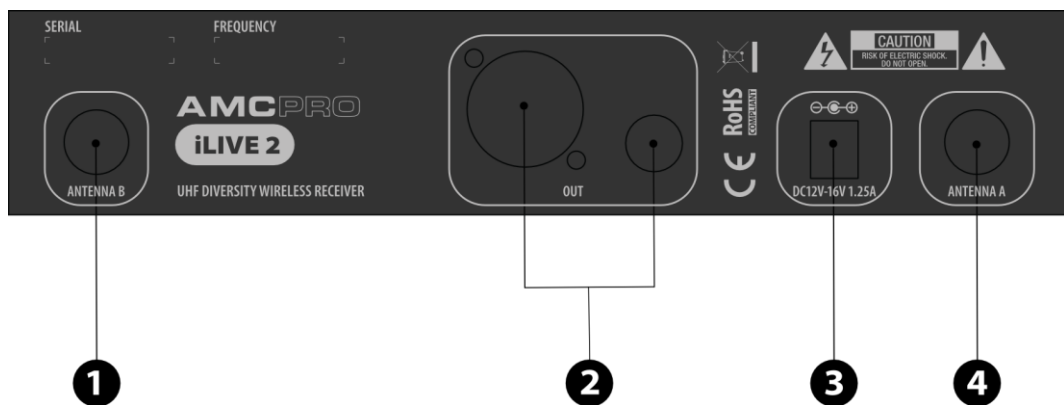
5 Operation

Front Panel



1. IR transmitter
2. LCD display
3. SYNC button
4. SET button
5. Navigation buttons
6. Power switch

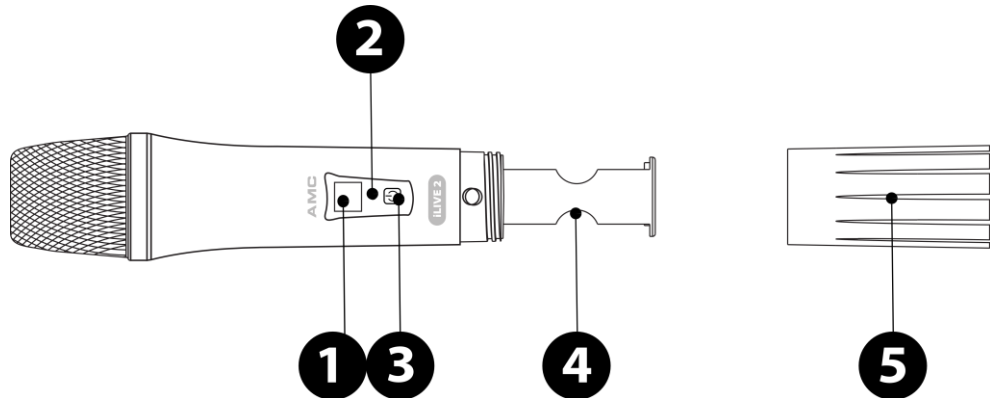
Rear Panel



1. Antenna A connector
2. Audio output
3. Main power connector
4. Antenna B connector

6 Operation

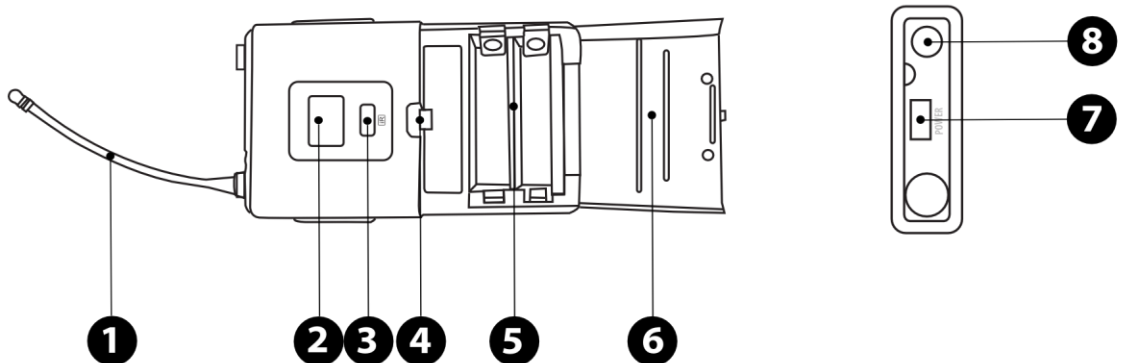
Handheld microphone



1. LCD display
2. IR receiver
3. Power button

4. Battery holder
5. Battery cover

Body pack



1. Antenna
2. LCD display
3. IR receiver
4. Battery cover lock

5. Battery holder
6. Battery cover
7. Power button
8. Microphone connector

Receiver operation

SYNC BUTTON

Press this button to transmit data from receiver to transmitter in order to synchronize microphone or body pack transmitter and receiver.

NAVIGATION BUTTONS

These buttons are designed to navigate receivers menu and adjust settings.

SET BUTTON

Short press of this button shows number of current channel for two seconds on LCD screen if channel frequency are displayed for default and otherwise, shows the channel frequency if channel number are set for display default. Long press brings menu on the screen, in order to enter the submenu press SET button one more time. Use navigation buttons to navigate menu or adjust settings.

LCD DISPLAY

Displays the current settings, menu and other information, like RF level, AF level, volume, frequency or channel, lock status, mute status and which antenna A or B is active at the moment.

IR TRANSMITER

IR transmitter allows synchronize microphone or body pack and receiver by establishing handheld microphone or body pack radio frequency to the same as the receiver.

POWER SWITCH

Press power switch for 3 seconds to turn on/off the power.

ANTENNA CONNECTOR

This connector designed to connect antenna to the receiver.

AUDIO OUTPUT

Balanced XLR and unbalanced 6,3mm Jack audio output.

MAIN POWER CONNECTOR

Connector for DC 12 V – 16 V 1.25A power supply.

Handheld microphone operation

LCD DISPLAY

Displays the current frequency, channel and transmitter's battery level.

IR RECEIVER

IR receiver allows synchronizing microphone and receiver by establishing handheld microphone radio frequency to the same as set in receiver.

POWER BUTTON

Press power button for 3 seconds to turn on/off the power.

BATTERY HOLDER

Battery holder for two pieces of AA sizes alkaline batteries. **Pay attention to battery polarity, wrong polarity can damage transmitter!**

BATTERY COVER

Remove battery cover in order to insert or replays batteries.

Body pack transmitter operation

ANTENNA

Antennas for RF signal transmitting to the receiver. Covered antenna can reduce working distance, try to keep antenna uncovered in order to guaranty maximum working distance.

LCD DISPLAY

Displays the current frequency, channel and low battery indication.

IR RECEIVER

IR receiver allows synchronize body pack and receiver by establishing body pack radio frequency to the same as set in receiver.

BATTERY COVER LOCK

Push cover lock in order to remove battery cover.

BATTERY HOLDER

Battery holder for two pieces of AA sizes alkaline batteries. **Pay attention to battery polarity, wrong polarity can damage transmitter!**

BATTERY COVER

Remove battery cover in order to insert or replays batteries.

POWER BUTTON

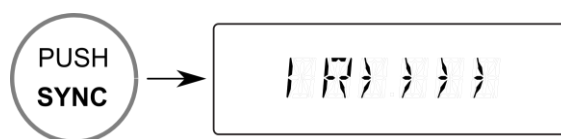
Press power button for 3 seconds to turn on/off the power.

MICROPHONE CONNECTOR

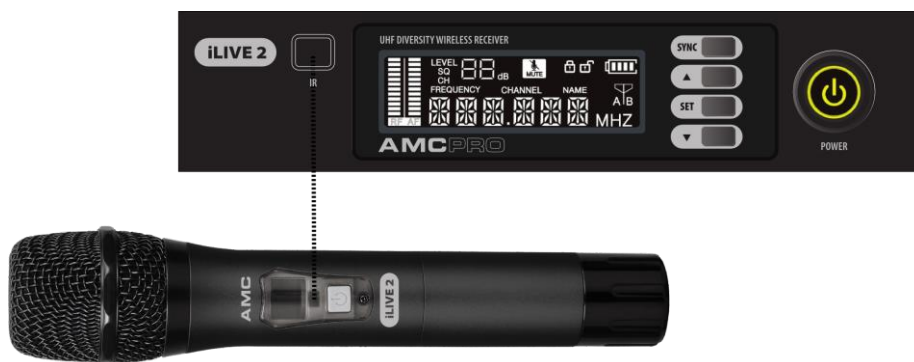
Four pin mini XLR connector to connect lavalier or headset microphone.

Synchronization

Press infrared data transfer button (SYNC) to transmit data from receiver to transmitter in order to synchronize microphone and receiver radio frequency.



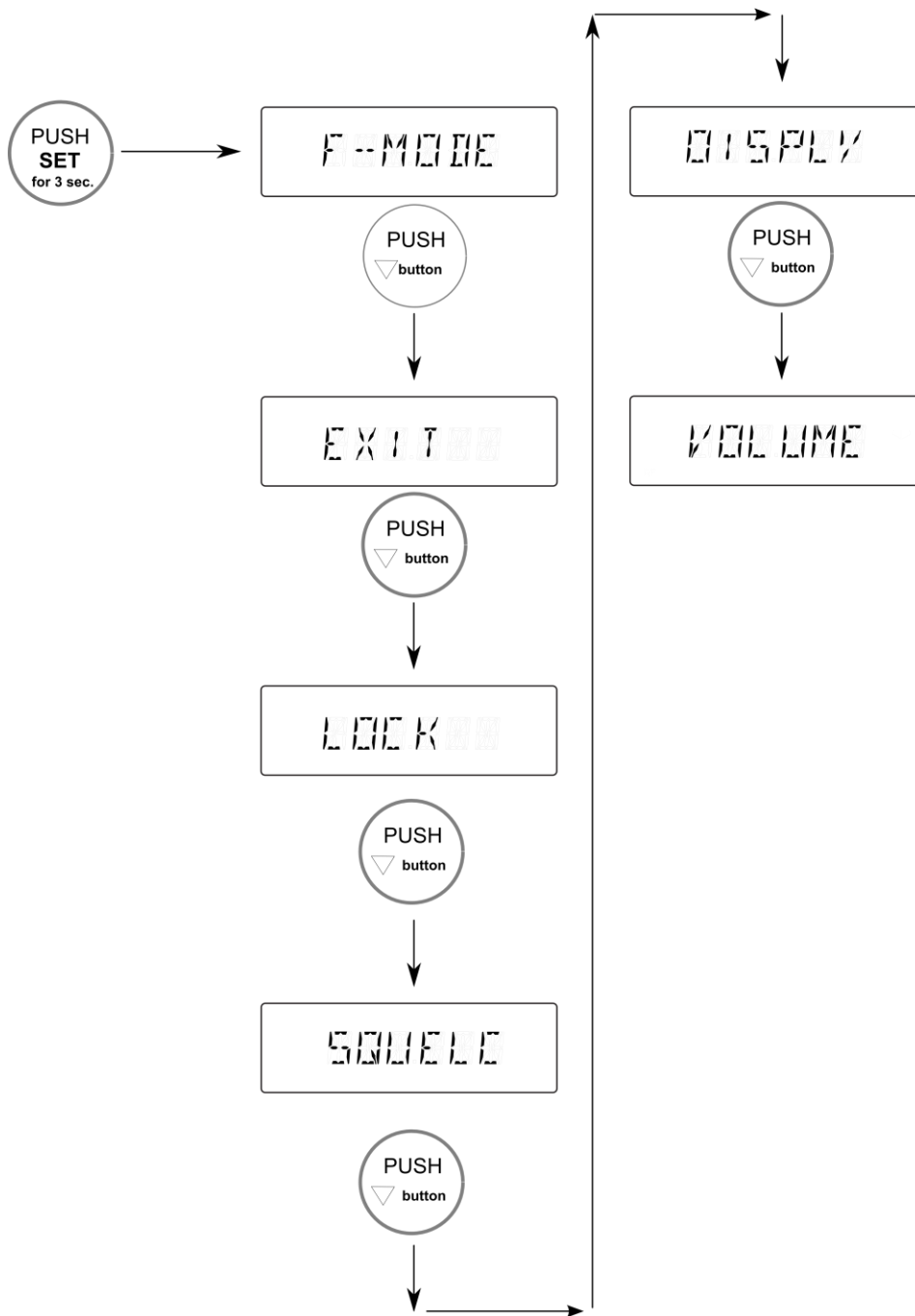
The distance between the devices should be proximally 20cm.



IMPORTANT: During synchronization IR receiver and IR transmitter should be directed to each other.

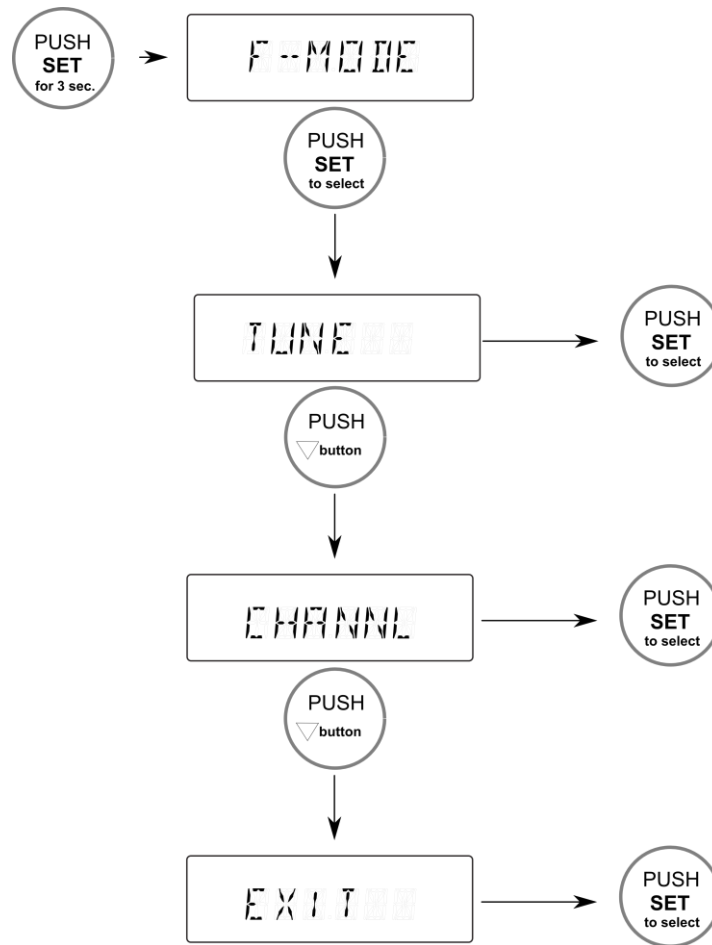
Receiver's menu

Long press of SET button brings main menu on the screen, in order to enter the submenu press SET button one more time. Use navigation buttons to navigate menu and adjust settings.



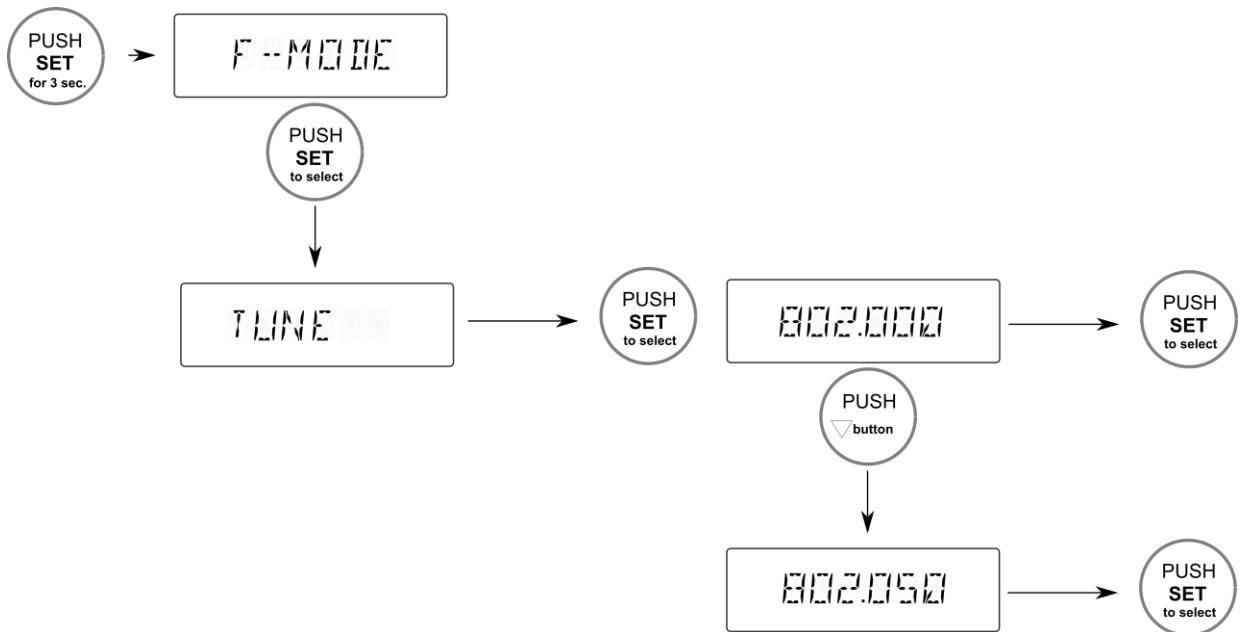
F-MODE MENU

Activate F-mode menu by pressing SET button for 3 sec. This menu consists from TUNE, CHANNL and EXIT sub menu..

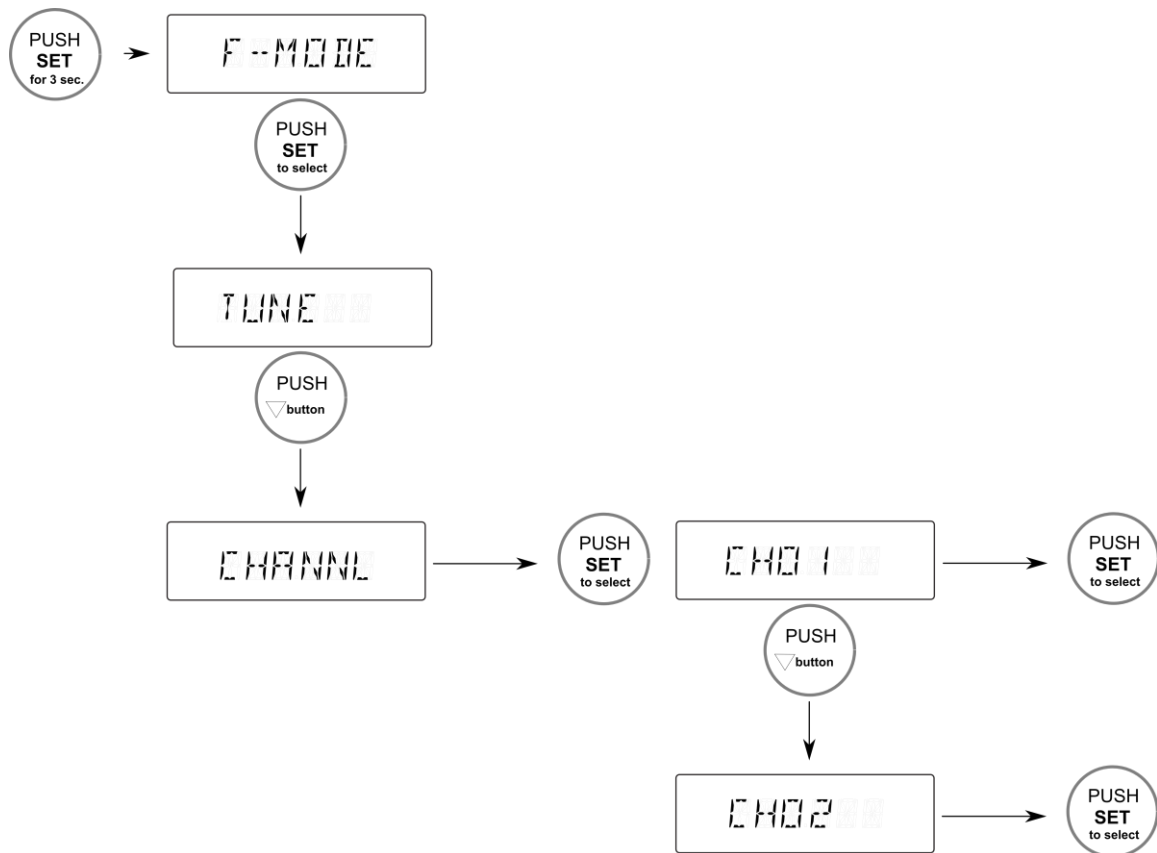


TUNE MENU

Select tune menu in order to change manually receiver's frequency in 50 kHz steps.

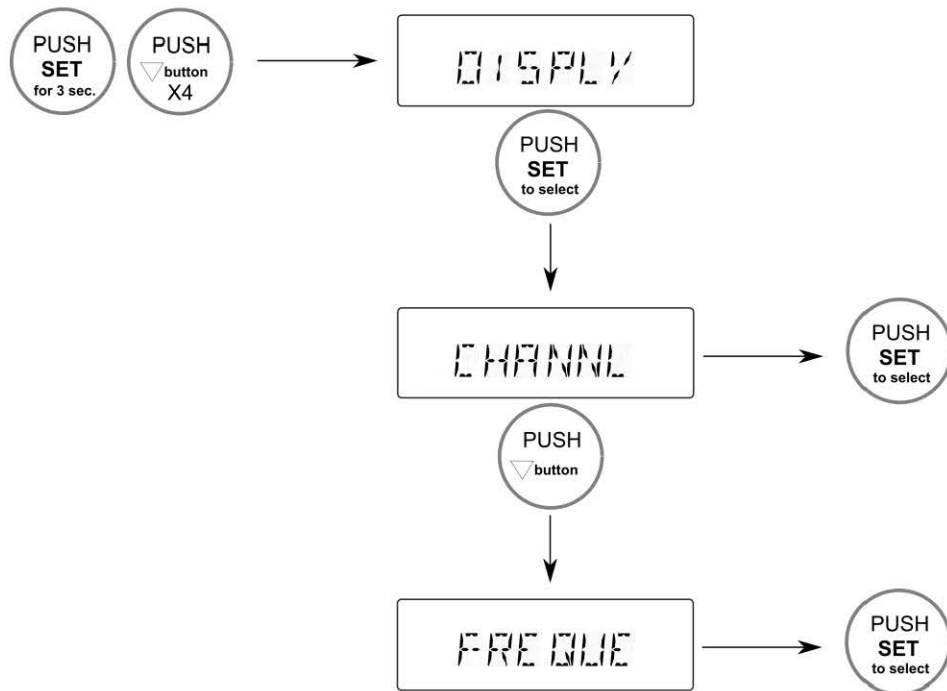
**CHANNEL MENU**

Select CHANNEL to set one of the 32 channel's presets. Before the selecting CHANNEL, the default display in the DISPLY menu should be set to CHANNEL.



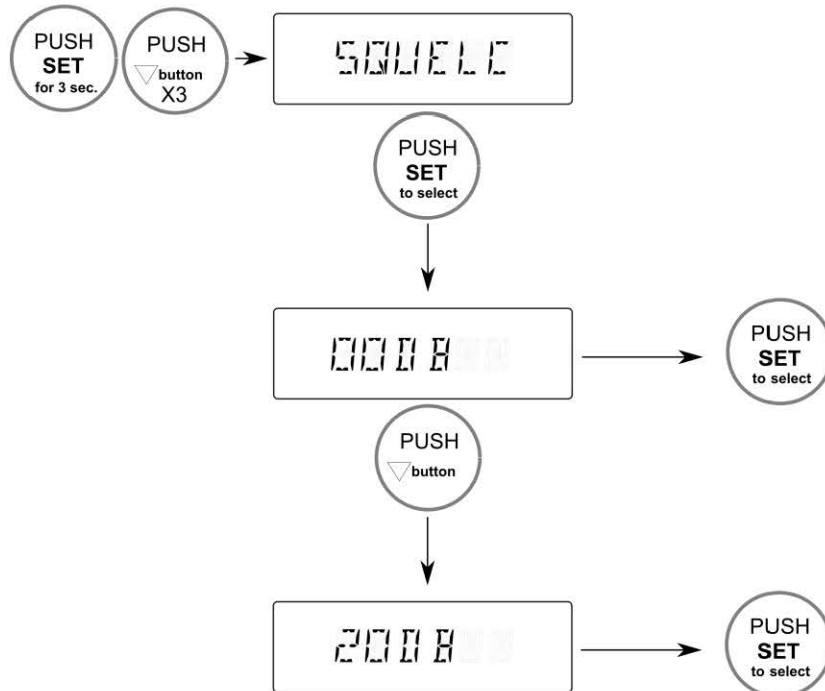
DISPLAY MENU

Display menu allows to change the default screen view from frequency to channel and otherwise. Select "CHANNL" to display channel number in the screen or select "FREQUE" to display channel frequency in Mhz.

**SQUELCH MENU**

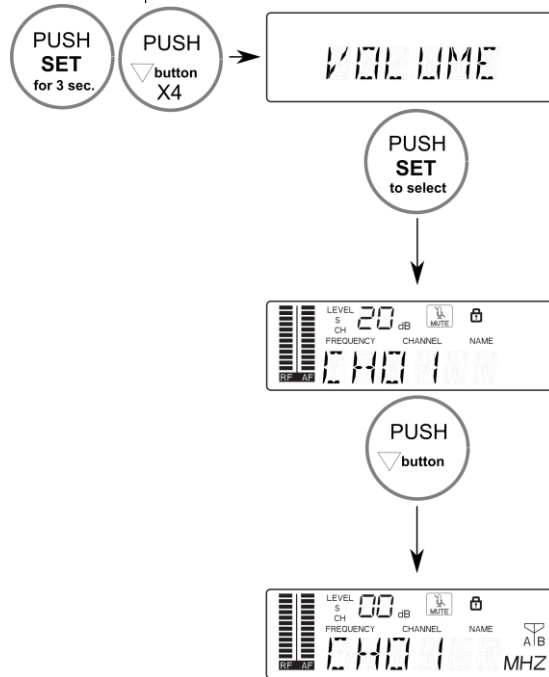
The squelch level is adjustable in 5dB steps from 0dB to 20dB.

If the squelch threshold is set too high, the microphone working distance can be reduced.

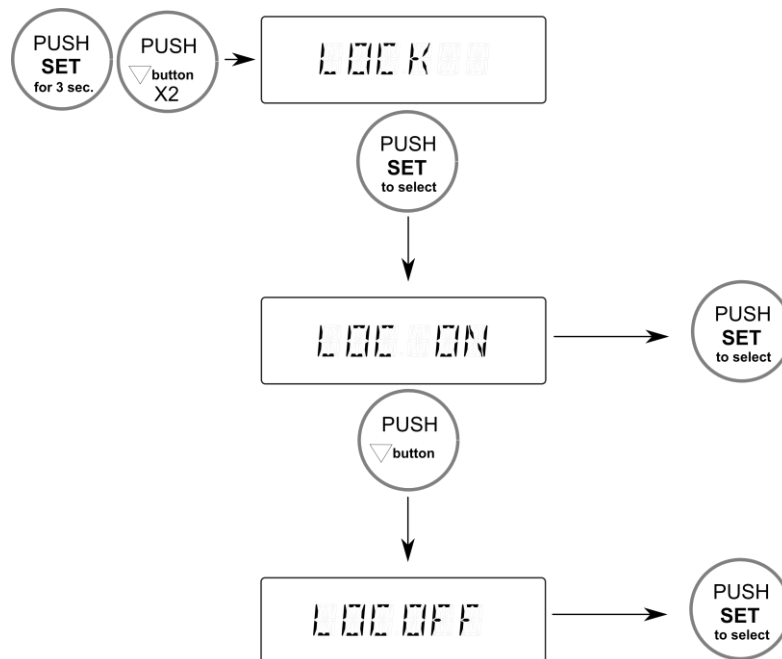


VOLUME MENU

Select VOLUME menu to adjust audio output level.

**LOCK MENU**

Lock menu allows lock main panel buttons, except power and SETTING buttons. Please set lock function to off, for unlock.

**EXIT MENU**

Select to exit from menu.



General specifications

Technical Specifications	iLIVE 2 receiver
Power supply	12-15 V DC, 1.25 A
Output	Balanced XLR , unbalanced 6,3 mm TS JACK
Receiver way	Two frequency conversion super-heterodynes
Intermediate frequency	10,7 MHz
Antenna	BNC
T.H.D	< 0,7 %
Sensitivity	6 dB μ V
Image rejection	36 dB
Max. audio output	0 dB
Dimensions (H x W x D)	45 mm x 210 mm x 206 mm
Weight	1.3 kg
Material	Steel enclosure, aluminum front panel

Technical Specifications	iLIVE 2 handheld transmitter
Carrier frequency range	606 MHz - 621 MHz
Modulation	FM
Channels	32
Audio frequency response	45 Hz - 18 kHz
S/N ratio	> 105 dB
Antenna	Built-in spiral antenna
Transmitter's power	15 mW
Working range	60 m (Note: actual range depends on RF signal absorption, reflection and interference)
Polar pattern	Cardioid
Battery	2 x 1,5 V AA Alkaline battery
Dimensions	240 mm (lenght)
Weight	302 g
Material	Aluminum

Technical Specifications	iLIVE 2 body pack transmitter
Carrier frequency range	606 MHz - 621 MHz
Modulation	FM
Channels	32
Audio frequency response	45 Hz - 18 kHz
S/N ratio	> 105 dB
Antenna	1/4 wave antenna
Input connector	4 pin mini XLR connector
Transmitter's power	15 mW
Working range	60 m (Note: actual range depends on RF signal absorption, reflection and interference)
Polar pattern	Cardioid
Battery	2 x 1,5 V AA Alkaline battery
Dimensions (H x W x D)	110 mm x 64 mm x 25 mm
Weight	76 g
Material	Plastic

Technical Specifications	HM
Capsule type	Condenser
Impedance	200 Ω
Sensitivity	-47 dB
Frequency	45 Hz - 18 kHz
Connectors	4 pin mini XLR connector
Phantom power voltage	5V DC
Cable length	1 m
Weight	15 g
Colour	Skin (RAL 1014)
Accessories	Windscreen

Technical Specifications	LM
Capsule type	Condenser
Impedance	200 Ω
Sensitivity	-46 dB
Frequency	50 Hz - 18 kHz
Connectors	4 pin mini XLR connector
Phantom power voltage	5 V
Cable length	1 m
Weight	21 g
Colour	Black RAL9017
Accessories	Windscreen

The specifications above are correct at the time of printing this manual. For improvement purposes, all specifications for this unit, including design and appearance, are subject to change without prior notice

