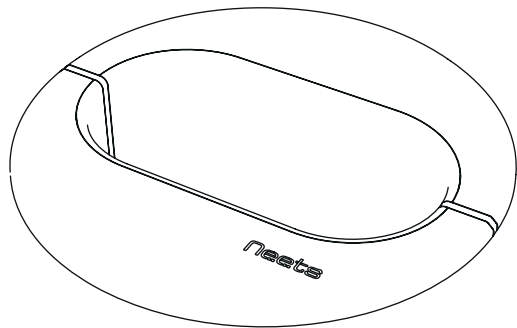


neets



Installation guide

Neets MiniConnect™

Thank you!

Thank you for including the Neets MiniConnect as part of your user experience strategy.

Specifications

Physical dimensions:

H: 92 mm

W: 110 mm

D: 110 mm

Internal dimensions:

W: 83 mm

D: 42 mm

Weight:

Product: 225 g

Shipping: 410 g

Compliance:

CE

Table surface:

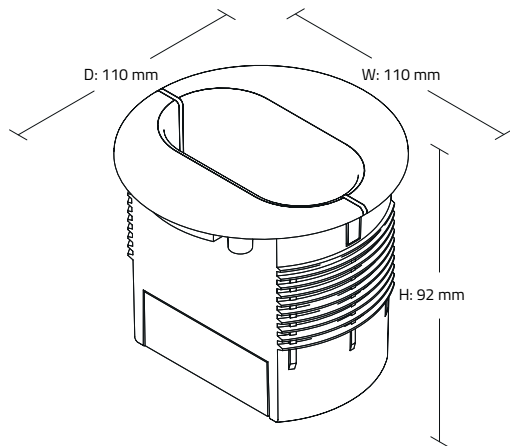
Mounting depth max.: 50 mm

Recommended cable dimension:

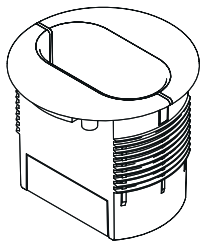
Max. 6 mm

Recommended cable housing:

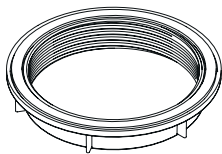
No less than 10 mm



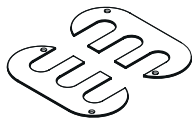
What's in the box



MiniConnect



Tension ring



Cable ribs



Cable tie holders



**Screws for
cable ribs**



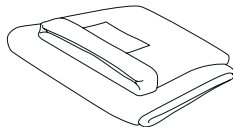
**Screws for
cable tie holder**



Cable bushings



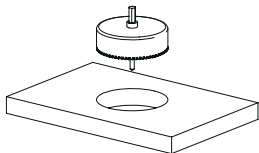
Cable tie



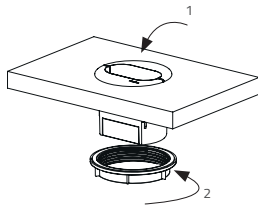
Cable bag

How to install

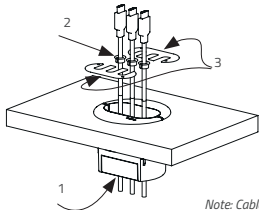
- 1 Drill a hole in your table using a $\varnothing 102$ mm holesaw.



- 2 Place the MiniConnect into the hole (1) and screw on the tension ring (2).

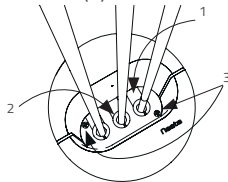


- 3 Insert the cables from the bottom (1). Then mount the cable bushings onto the cables (2), and the cable ribs on each side (3).

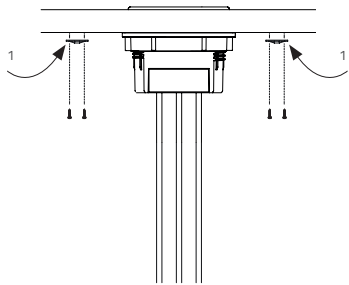


Note: Cables are not included.

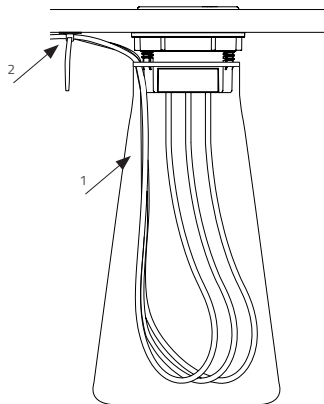
- 4 Drop the cable ribs down through the MiniConnect (1), and press the cable bushings into cable ribs (2). Then mount the two screws in the bottom (3).



- 5** Mount one or both cable tie holders underneath the table, using the supplied screws (1).



- 6** Put the cables in the cable bag, and attach the cable bag, using the velcro (1). Use a cable tie to secure the cables to the cable tie holder (2).



Learn more at neets.dk

Visit our website neets.dk for additional information about the product.