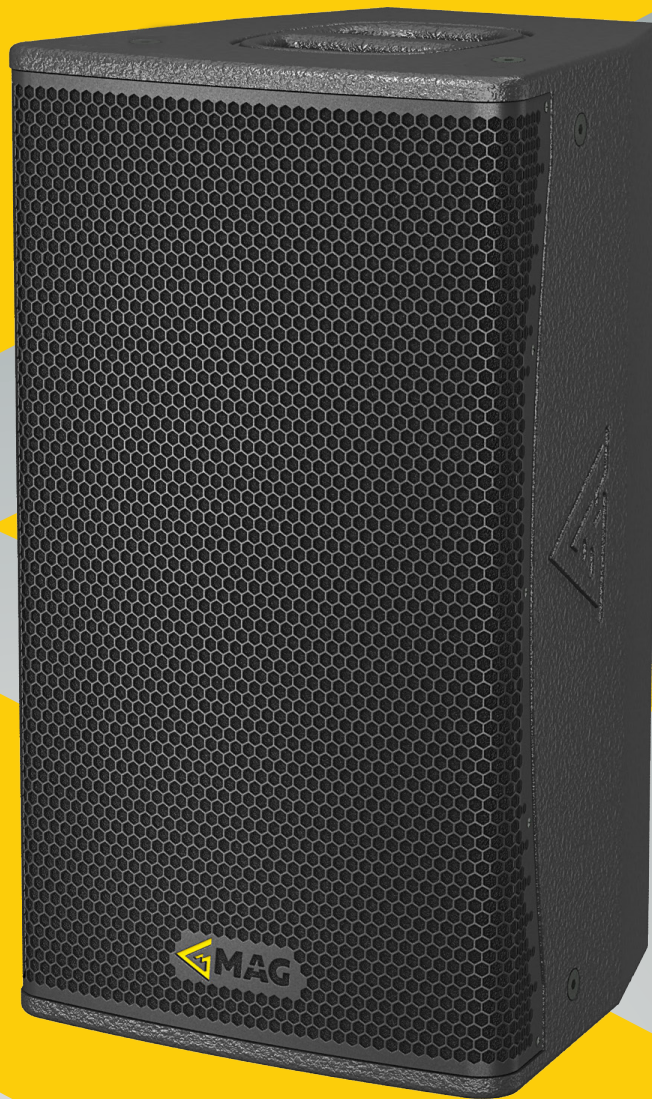


NX SERIES

User Manual



Systems:

NX 10	NX 10A	NX 10i
NX 12	NX 12A	NX 12i
NX 15	NX 15A	NX 15i

Contents



Contents.....	2
Panel A. Dimensions	4
1. Safety instructions	9
2. Regulatory information.....	10
3. NX series.....	11
3.1. Introduction	11
3.2. NX series speaker models.....	11
4. Specifications.....	12
5. System operation.....	14
5.1. Rigging	14
5.2. Flying via M10 mounting points.....	14
5.3. Eye-bolt orientation.....	14
5.4. Pole mounting.....	15
5.5. Mounting using flying adapter	15
5.6. Wall or ceiling mounting using the rotation bracket.....	16
5.7. Wall or ceiling mounting using the horizontal bracket.....	17
5.8. Passive speakers.....	18
5.8.1. Passive connections.....	18
5.9. Powered speakers.....	19
5.9.1. Mains connection.....	20
5.9.2. Signal connections	20
5.9.3. Amplifier controls.....	20
6. Standard contents.....	21
7. Accessories	22
8. Warranty and assistance	23
8.1. Product warranty	23
8.2. Assistance	23

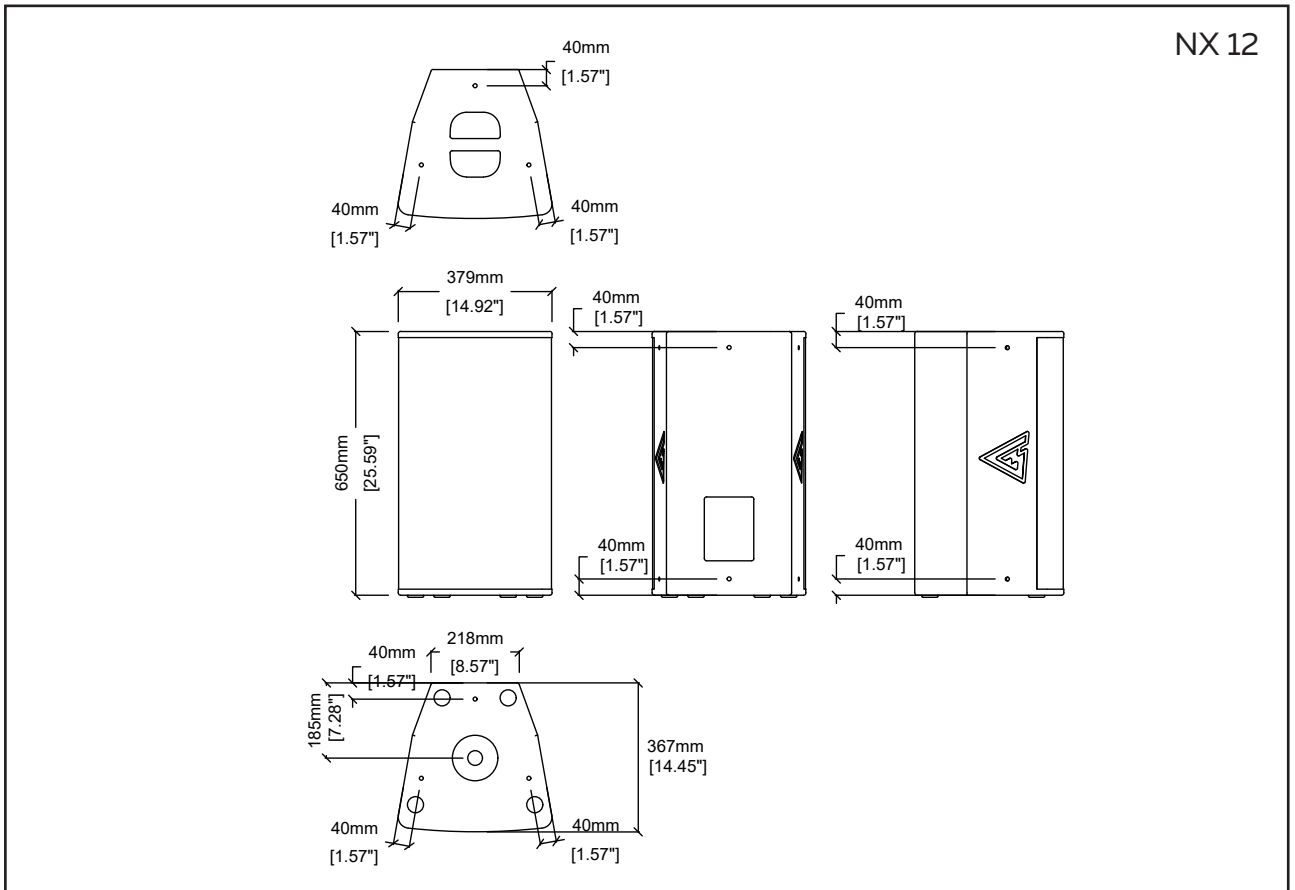
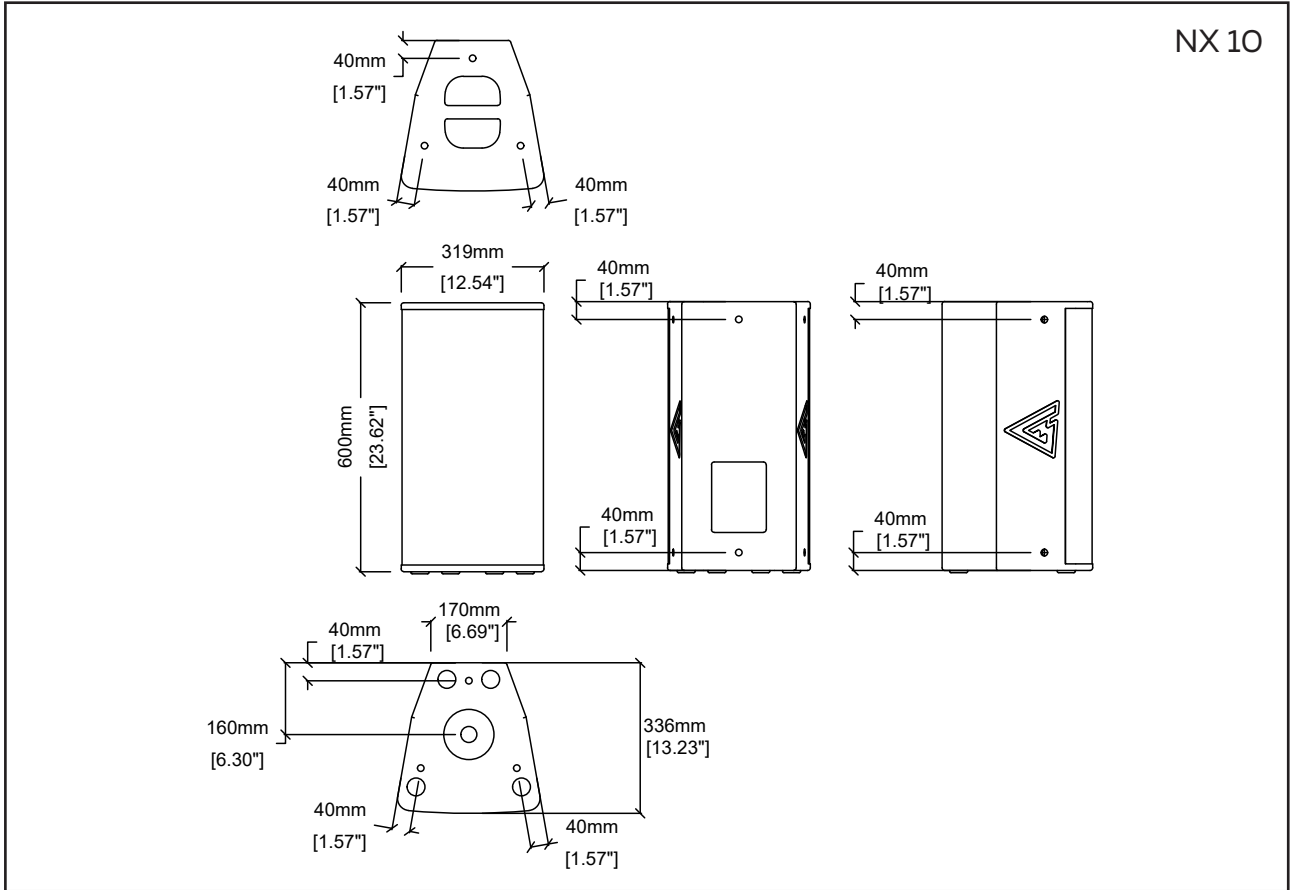


info@mag-audio.com
www.mag-audio.com

Tel./Fax: +38 044 277-47-89

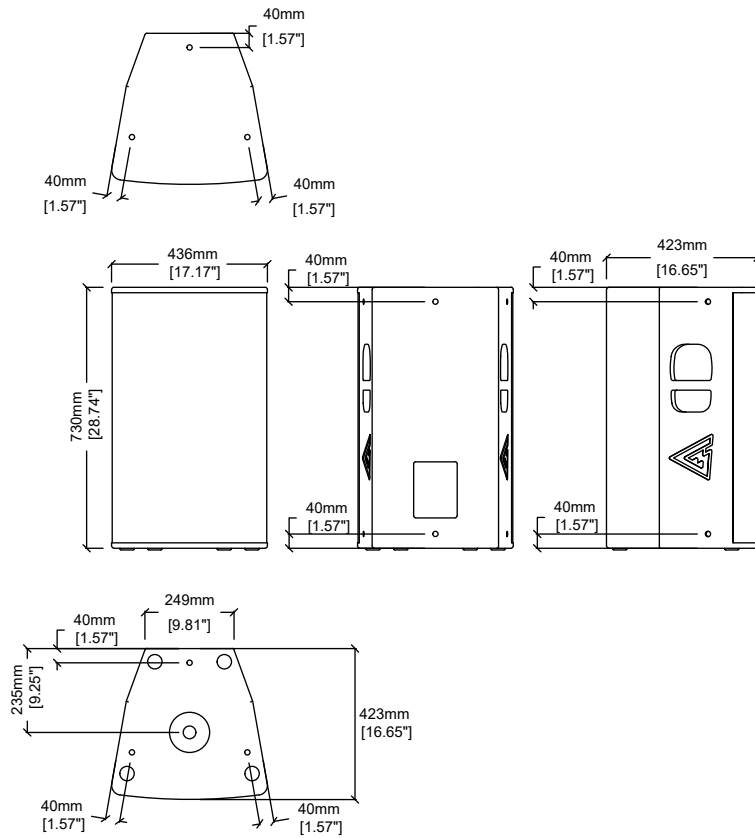


Panel A. Dimensions

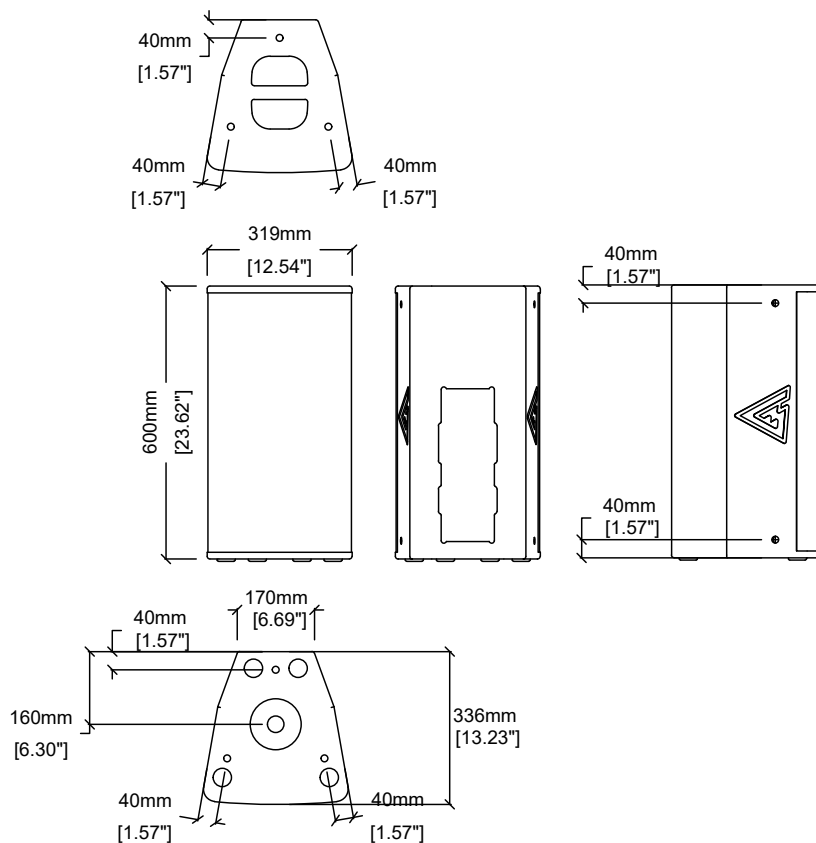




NX 15

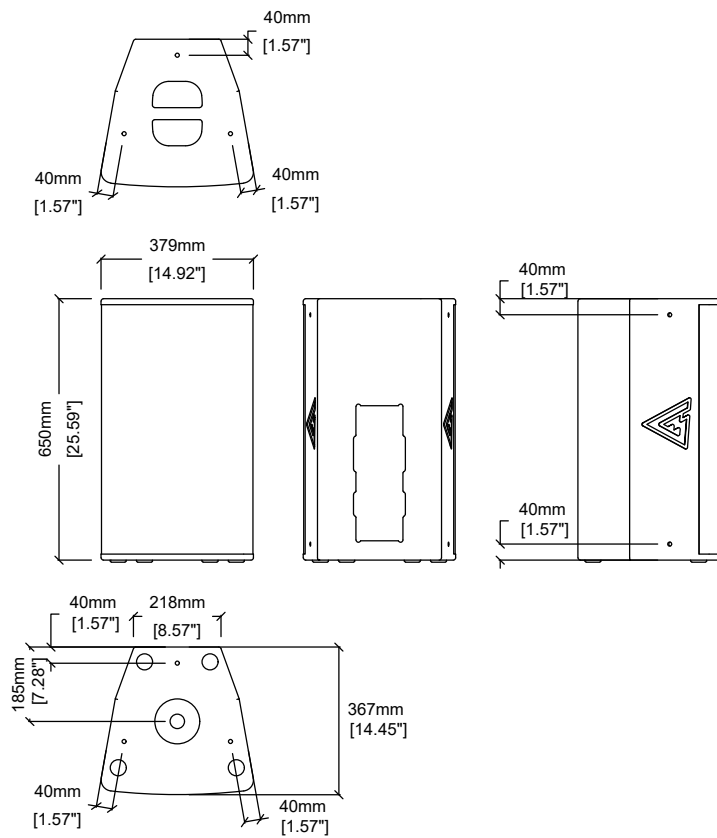


NX 10A

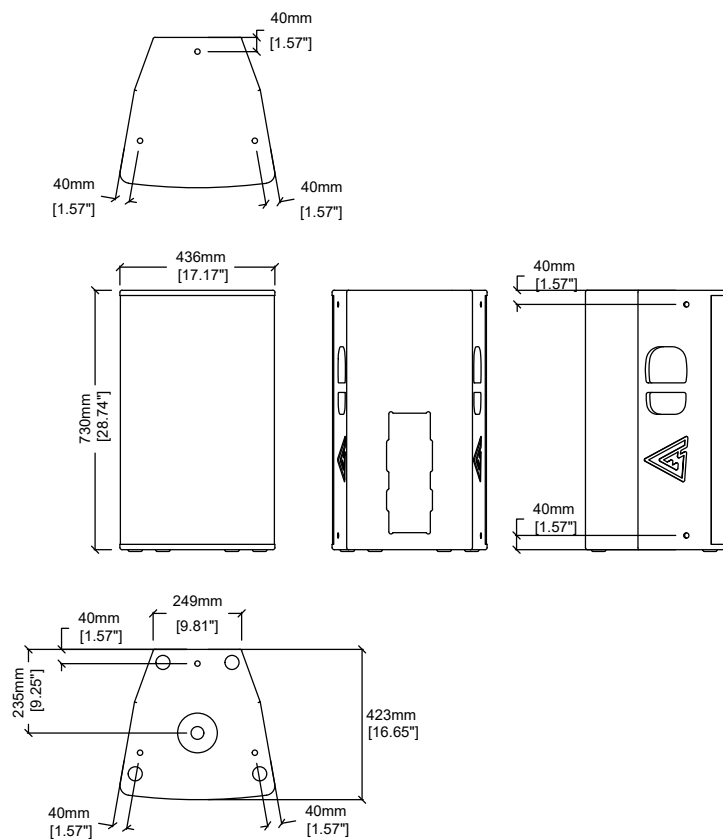




NX 12A

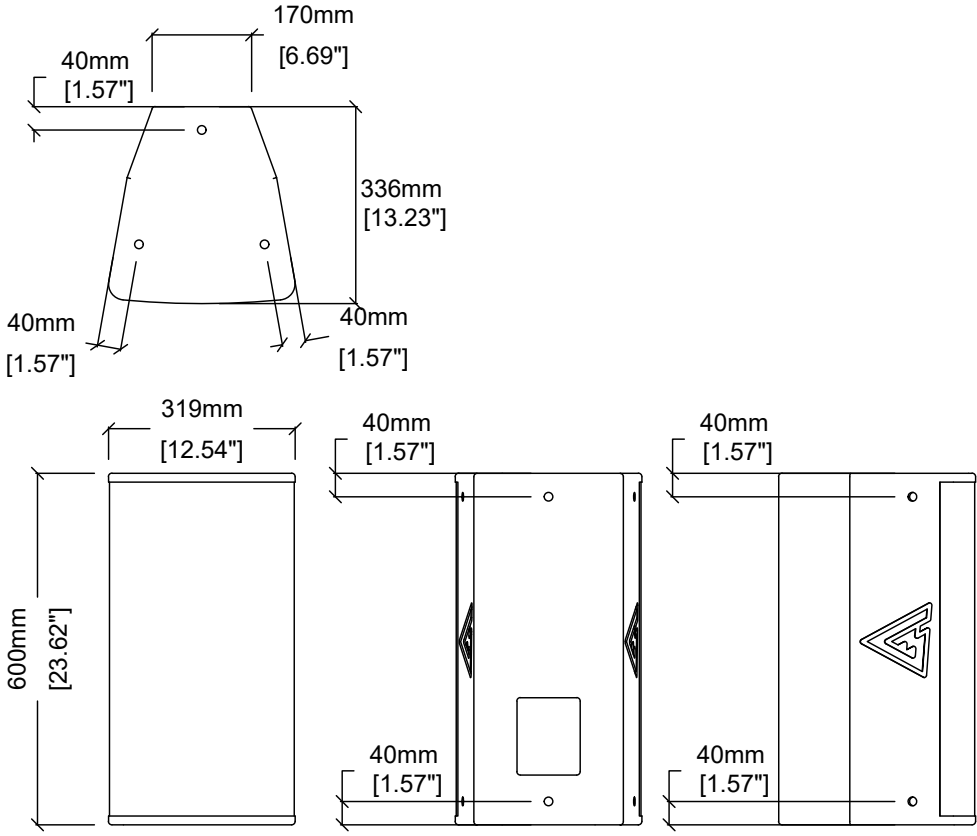


NX 15A

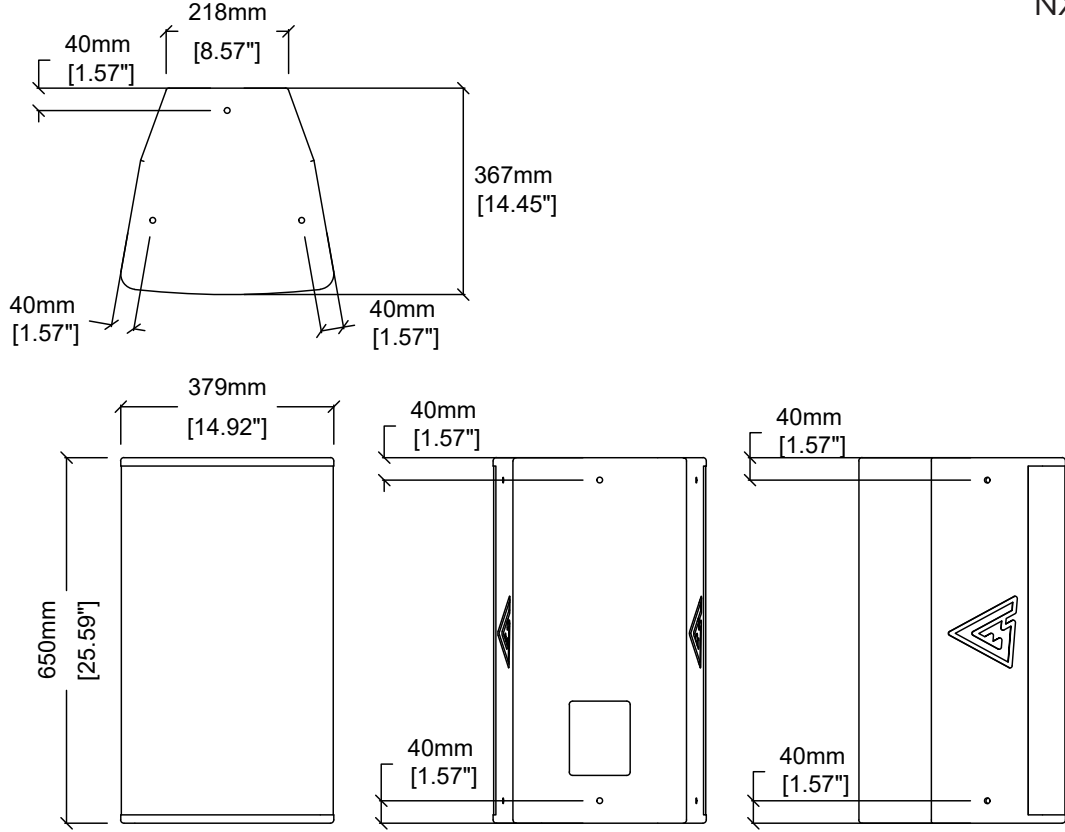




NX 10i

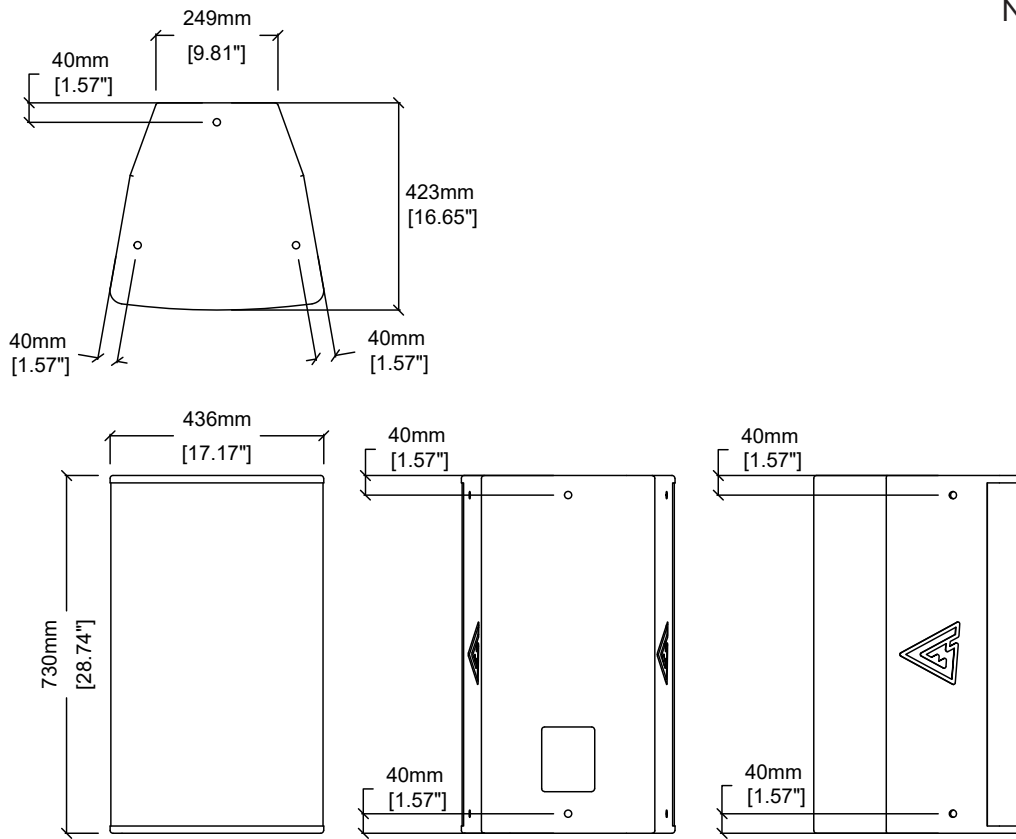


NX 12i






NX 15i





1. Safety instructions





EXPLANATIONS OF GRAPHICAL SYMBOLS


 The triangle with the lightning bolt is used to alert the user to the risk of electric shock.


 The triangle with the exclamation point is used to alert the user to important operating or maintenance instructions.


 The CE-mark indicates the compliance with the low voltage and electromagnetic compatibility.

 Symbol for earth/ground connection.


 Symbol indicating that the equipment is for indoor use only.


 Symbol for conformity with Directive 2002/96/EC and Directive 2003/108/EC of the European Parliament on waste electrical and electronic equipment (WEEE).

 **WARNING: TO REDUCE THE RISK OF ELECTRIC SHOCK, DO NOT ATTEMPT TO OPEN ANY PART OF THE UNIT. NO USER-SERVICEABLE PARTS INSIDE. REFER SERVICING TO QUALIFIED SERVICE PERSONNEL.**

 **TO COMPLETELY DISCONNECT THIS APPARATUS FROM THE AC MAINS, DISCONNECT THE POWER SUPPLY CORD PLUG FROM THE AC RECEPTACLE.**

 **THE MAINS PLUG OF THE POWER SUPPLY CORD MUST REMAIN READILY ACCESSIBLE.**

 **DO NOT EXPOSE THIS EQUIPMENT TO RAIN OR MOISTURE, DRIPPING OR SPLASHING LIQUIDS. OBJECTS FILLED WITH LIQUIDES, SUCH AS VASES, SHOULD NOT BE PLACED ON THIS APPARATUS.**

 **CONNECTIONS TO THE MAINS SHALL BE DONE ONLY BY AN ELECTROTECHNICALLY SKILLED PERSON ACCORDING TO THE NATIONAL REQUIREMENTS OF THE COUNTRIES WHERE THE UNIT IS SOLD.**

IMPORTANT SAFETY INSTRUCTIONS

1. Read these instructions carefully.
2. Keep these instructions.
3. Heed all warnings.
4. Follow all instructions.
5. Do not use this equipment near water.
6. Clean only with dry cloth.
7. Do not block any ventilation openings. Install in accordance with the manufacturer's instructions.
8. Do not use near heat sources such as stoves, heat registers, radiators or other equipment (including amplifiers) that produces heat.
9. Do not use the unit near open fire sources.
10. Connect the unit only to the electric network with grounding. Use only electric plugs that provide grounding.
11. Protect the power cord from being walked on, pinched, or otherwise damaged.
12. Use only accessories specified by the manufacturer.
13. Unplug this unit during lightning storms or when unused for long periods of time.
14. Refer all servicing to qualified service personnel. Servicing is required when the system has been damaged in any way, such as power supply cord or plug is damaged, liquid has been spilled or objects have fallen into the unit, the unit has been exposed to rain or moisture, does not operate normally, or has been dropped.
15. **WARNING: TO REDUCE THE RISK OF FIRE OR ELECTRIC SHOCK, DO NOT EXPOSE THIS SYSTEM UNIT TO RAIN OR MOISTURE.**

THIS UNIT CONTAINS POTENTIALLY LETHAL VOLTAGES. TO PREVENT ELECTRIC SHOCK OR HAZARD, DO NOT REMOVE THE AMPLIFIER MODULE. NO USER SERVICEABLE PARTS INSIDE. REFER SERVICING TO QUALIFIED SERVICE PERSONNEL.¹

INSTALLING OF THIS UNIT MUST BE PERFORMED ONLY BY QUALIFIED TRAINED PERSONNEL FOLLOWING APPLICABLE SAFETY RULES. DO NOT ALLOW INSTALLATION OF THIS UNIT IF INSTALLATION HARDWARE IS BROKEN, BENT, PARTS ARE MISSING OR IS OTHERWISE DAMAGED.

¹ - for powered speakers only

2. Regulatory information

FCC COMPLIANCE NOTICE

This device complies with part 15 of the FCC rules. Operation is subject to the following two conditions: (1) This device may not cause harmful interference, and (2) this device must accept any interference received, including interference that may cause undesired operation.

CAUTION: Changes or modifications not expressly approved by the party responsible for compliance could void the user's authority to operate the equipment.

NOTE: This equipment has been tested and found to comply with the limits for a Class B digital device, pursuant to part 15 of the FCC Rules. These limits are designed to provide reasonable protection against harmful interference in a residential installation. This equipment generates, uses, and can radiate radio frequency energy and, if not installed and used in accordance with the instruction manual, may cause harmful interference to radio communications. However, there is no guarantee that interference will not occur in a particular installation. If this equipment does cause harmful interference to radio or television reception, which can be determined by turning the equipment off and on, the user is encouraged to try to correct the interference by one or more of the following measures:

- Reorient or relocate the receiving antenna.
- Increase the separation between the equipment and receiver.
- Connect the equipment into an outlet on a circuit different from that to which the receiver is connected.
- Consult the dealer or an experienced radio/TV technician for help.

EC DECLARATION OF CONFORMITY

Manufacturer:
MAG Audio LLC
Merezhna 2
Bila Tserkva, Kyiv region
09112 Ukraine

We declare under our sole responsibility that product models:

NX 10-8, NX 12-8, NX 15-8, NX 10A, NX 12A,
NX 15A, NX 10i, NX 12i, NX 15i

intended for use as:

professional speaker systems

are in conformity with the provisions of the following EC Directives, including all amendments, and with national legislation implementing these directives:

- 2006/95/EC Low Voltage Directive
- 2004/108/EC Electromagnetic Compatibility Directive
- 2002/95/CE RoHS Directive

The following harmonized standards are applied:

EN 55103-1:2009 /A1:2012
EN 55014-1:2006 /A1:2009 /A2:2011
EN 55022:2010 /AC:2011
EN 61000-3-2:2006 /A1:2009 /A2: 2009
EN 61000-3-3:2013
EN 61000-3-11:2000
EN 61000-3-12:2011
EN 55103-2:2009 /IS:2012
EN 61000-4-2:2009
EN 61000-4-3:2006 /A1:2008 /IS1:2009 /A2:2010
EN 61000-4-4:2012
EN 61000-4-5:2006
EN 61000-4-6:2014
EN 61000-4-11:2004
EN 60065:2002 /A1:2006 /A11:2008 /A2:2010 /A12:2011

Bila Tserkva,
22 January 2019

Alexey Asanov
CEO

For compliance questions: info@mag-audio.com

3. NX series

3.1. Introduction

NX series represents solid and powerful solutions for fixed installations as well as demanding mobile sound applications. NX full-range cabinets are based on top-line neodymium magnet transducers and high-frequency drivers fitted with demodulation rings and copper caps for less distortions and improved voice coil cooling, allowing for prolonged high-SPL operation while preserving clarity and intelligibility.

Powered cabinets employ state-of-the-art amplification from Powersoft® and provide ease of use with carefully adjusted built-in presets. Passive NX speakers are fitted with low-distortion crossovers with optimal transfer characteristics, allowing for controlled tuning with external amplification.

Durable cabinets, made of high-quality birch plywood, are ready to face harsh touring conditions. At the same time, optionally available weatherproof treatment extends series' usability even further into harsh environmental conditions, including theme parks, skating rinks, and swimming pools.

With outstanding performance and high reliability, NX series is designed to meet demands of various applications, where uncompromised sound quality is a must.

3.2. NX series speaker models

NX series includes following speaker models:

NX 10-8 part number 00-0004278

NX 10A part number 00-0004207

NX 10i part number 00-0005605

NX 12-8 part number 00-0004279

NX 12A part number 00-0004208

NX 12i part number 00-0004809

NX 15-8 part number 00-0004280

NX 15A part number 00-0004209

NX 15i part number 00-0004315



4. Specifications



System	NX 10 Passive full-range speaker	NX 12 Passive full-range speaker	NX 15 Passive full-range speaker
	NX 10i Installation full-range speaker	NX 12i Installation full-range speaker	NX 15i Installation full-range speaker
Frequency Response (-10dB)	65 - 19000 Hz	60 - 19000 Hz	50 - 19000 Hz
Max SPL ¹	133 dB	134 dB	134,5 dB
Sensitivity (1W/1m)	97 dB	98 dB	98,5 dB
LF Driver	10", 3" VC	12", 3" VC	15", 3" VC
HF Driver	1,5", 2,8" VC	1,5", 2,8" VC	1,5", 2,8" VC
Nominal Coverage Angle (Horizontal × Vertical)	80° × 70°	80° × 70°	80° × 70°
Impedance	8 Ohm	8 Ohm	8 Ohm
Nominal power ²	500 W	500 W	500 W
Connectors	2x Neutrik Speakon (NX 10) 2x Barrier strip (NX 10i)	2x Neutrik Speakon (NX 12) 2x Barrier strip (NX 12i)	2x Neutrik Speakon (NX 15) 2x Barrier strip (NX 15i)
Dimensions (W×H×D), mm	319x610x336 mm	379x660x367 mm	436x740x423 mm
Net weight, kg	19 kg	22 kg	26 kg
Shipping weight, kg	22 kg	25 kg	29 kg
Mounting	10x M10 mounting points, 35mm pole socket (NX 10)	10x M10 mounting points, 35mm pole socket (NX 12)	10x M10 mounting points, 35mm pole socket (NX 15)
Enclosure material	Plywood; wear-resistant paint	Plywood; wear-resistant paint	Plywood; wear-resistant paint
Grill	Steel grill, polymer protective net	Steel grill, polymer protective net	Steel grill, polymer protective net

¹ - peak value, calculated according to AES 2 - 2012

² - based on transducer power measured according to AES 2 - 2012



System	NX 10A Powered full-range speaker	NX 12A Powered full-range speaker	NX 15A Powered full-range speaker
Frequency Response (-10dB)	55 - 20000 Hz	50 - 20000 Hz	45 - 20000 Hz
Max SPL (calculated)	134 dB	135 dB	135,5 dB
LF Driver	10", 3" VC	12", 3" VC	15", 3" VC
HF Driver	1,5", 2,8" VC	1,5", 2,8" VC	1,5", 2,8" VC
Nominal coverage angle (Horizontal x Vertical)	80° x 70°	80° x 70°	80° x 70°
Amplifier power	900+500 W	900+500 W	900+500 W
Amplifier	Class D, fan cooling, DSP with phase-linear FIR	Class D, fan cooling, DSP with phase-linear FIR	Class D, fan cooling, DSP with phase-linear FIR
Input sensitivity	0 dBV (1 V RMS)	0 dBV (1 V RMS)	0 dBV (1 V RMS)
Connectors	XLR input, XLR output, Powercon mains	XLR input, XLR output, Powercon mains	XLR input, XLR output, Powercon mains
Dimensions (WxHxD)	319x610x336 mm	379x660x367 mm	436x740x423 mm
Net weight	22 kg	25 kg	29 kg
Shipping weight	25 kg	28 kg	32 kg
Mounting	10x M10 mounting points, 35mm pole socket	10x M10 mounting points, 35mm pole socket	10x M10 mounting points, 35mm pole socket
Enclosure material	Plywood; wear-resistant paint	Plywood; wear-resistant paint	Plywood; wear-resistant paint
Grill	Steel grill, polymer protective net	Steel grill, polymer protective net	Steel grill, polymer protective net

5. System operation

5.1. Rigging

NX series systems are equipped with M10 mounting point adapters and pole mount adapters systems for versatile applications.

Rigging must be performed only by trained personnel following the established safety rules.

MAXIMUM WEIGHT RESTRICTIONS MUST BE FOLLOWED AT ALL TIMES!

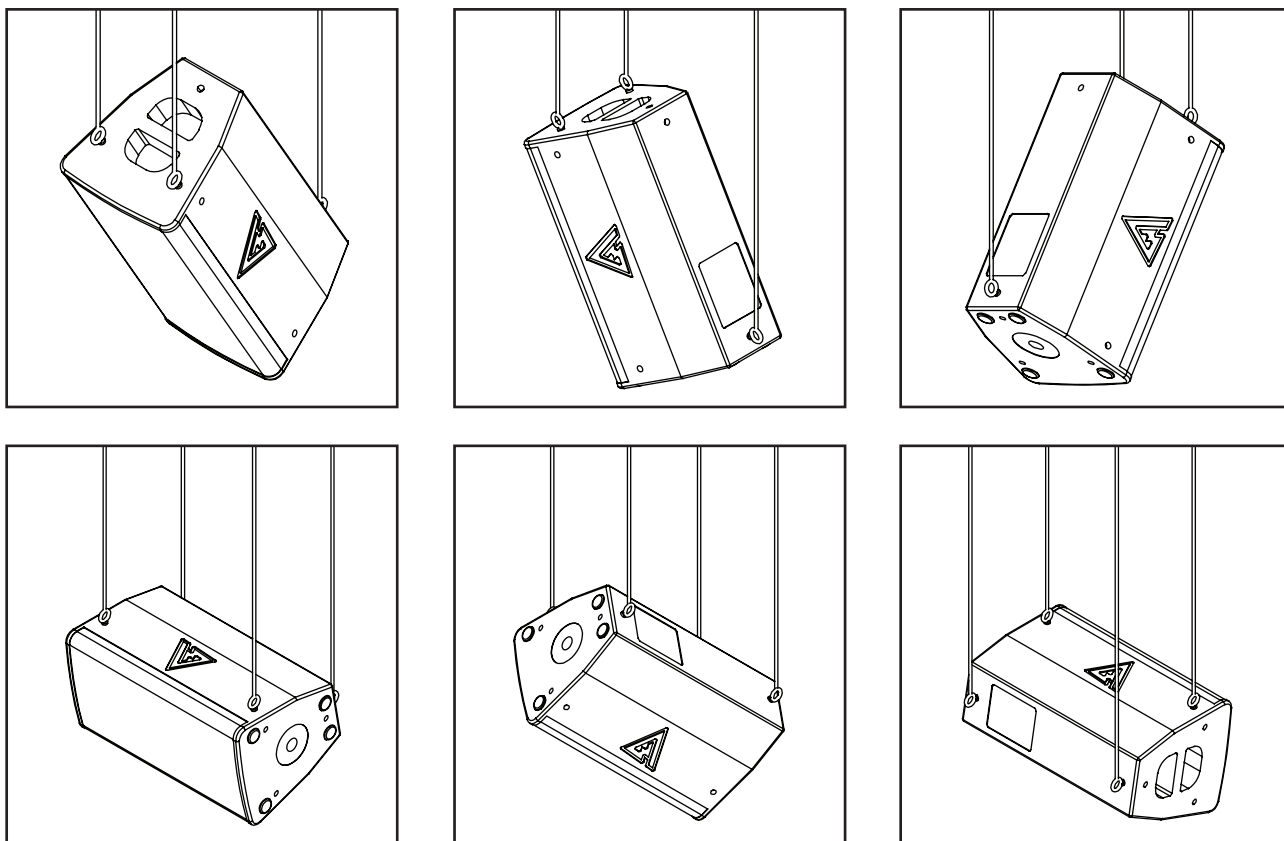
MAKE SURE THE SUPPORT STRUCTURE IS CAPABLE OF HOLDING THE APPLIED WEIGHT WHILE SUSPENDING THE SYSTEM!

5.2. Flying via M10 mounting points

Required accessories:

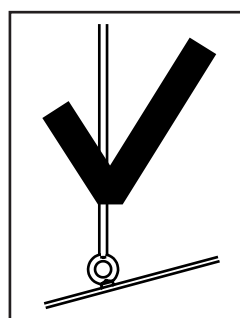
VA-0016 (part No. 00-00003695)

Different options are available while flying NX series full-range speakers using integrated M10 flying points.

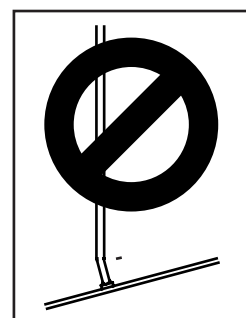


5.3. Eye-bolt orientation

While flying, applied force must be in the plane of the VA-0016 eyebolt's ring. It is prohibited to arrange the rig in the way that force is at the angle from the eyebolt's ring plane.



Right



Wrong

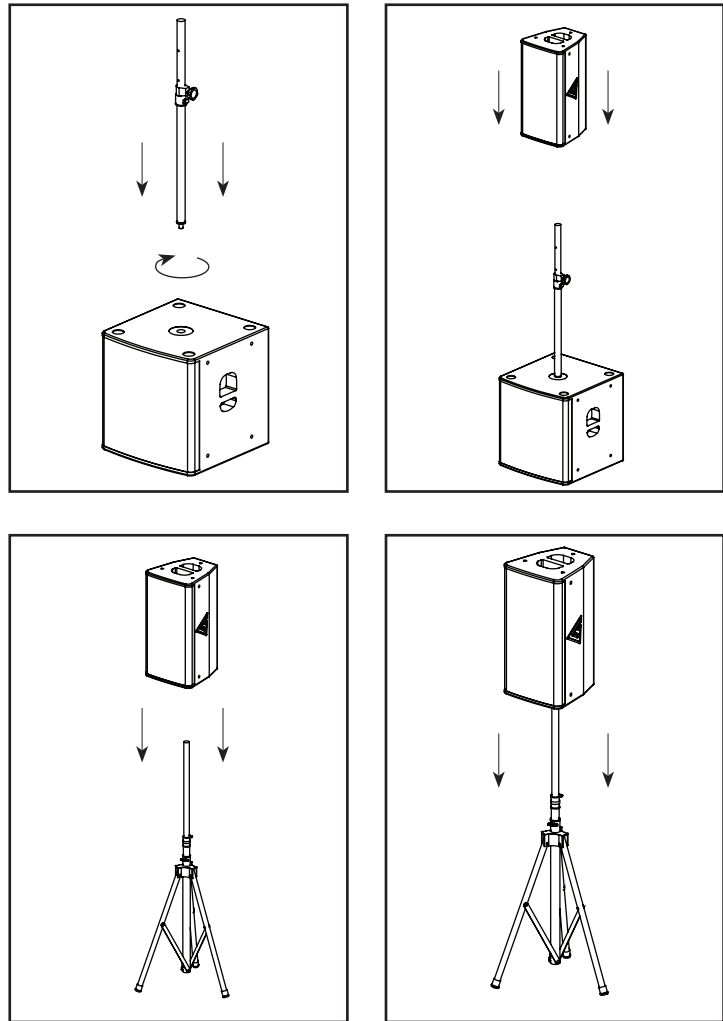
5.4. Pole mounting

Accessories:

N-BOX-4 (part No. 00-00003474)

SAT-3T (part No. 00-00003644)

NX series full range speakers are equipped with pole mount adapter, which allows installing them onto standard speaker stands, or, via distance poles, onto subwoofers equipped with pole mount adapters.



5.5. Mounting using flying adapter

Accessories:

ANX12 (part No. 00-0005433)

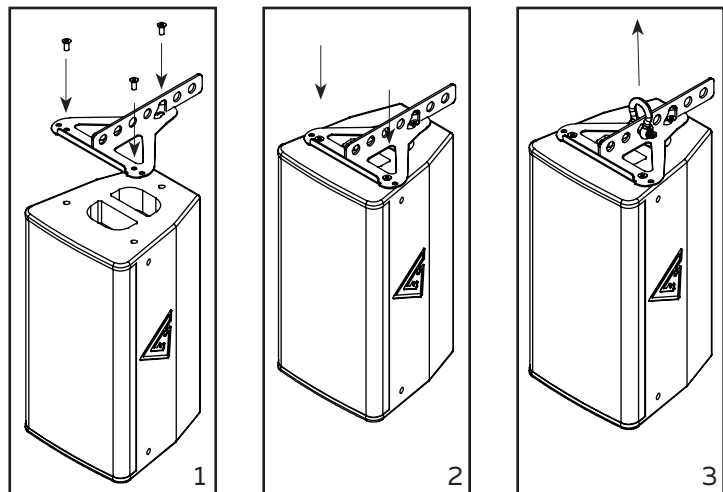
ANX15 (part No. 00-0005434)

VA-0012 (part No. 00-00003593)

1. Remove three top M10 bolts from mounting points and position ANX12 (for NX 10, NX 10A, NX 10i, NX 12, NX 12A and NX 12i) or ANX15 (for NX 15, NX 15A and NX 15i) flying adapter to fit mounting points (pic. 1.)

2. Use three M10 bolts to secure ANX12 or ANX15 flying adapter in place (pic. 2.)

3. VA-0012 omega shackle may be used to suspend the NX system with ANX12 or ANX15 flying adapters (pic. 3.)





5.6. Wall or ceiling mounting using the rotation bracket

Accessories:

LNx10 (part No. 00-0005435)

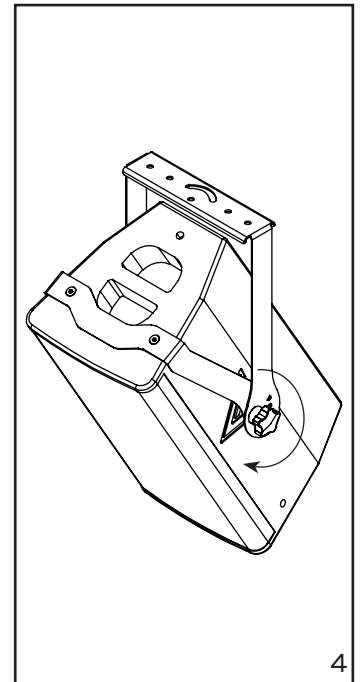
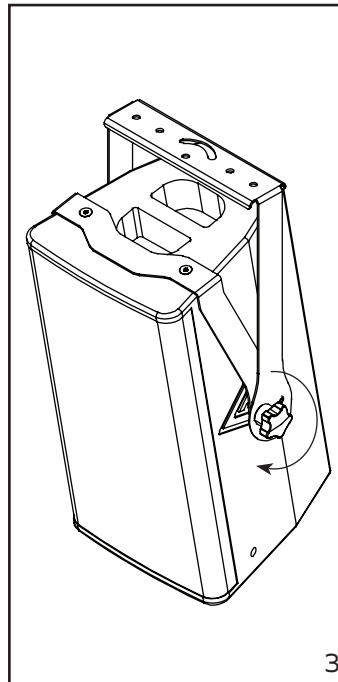
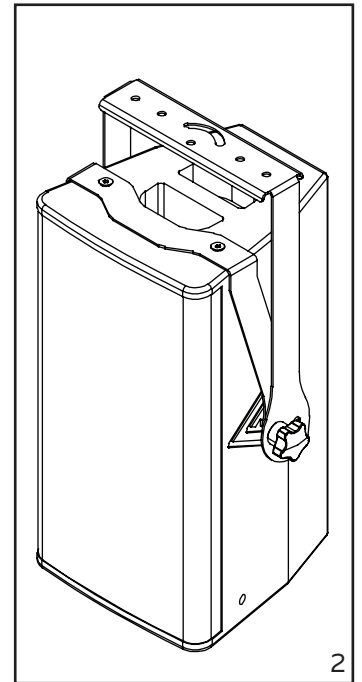
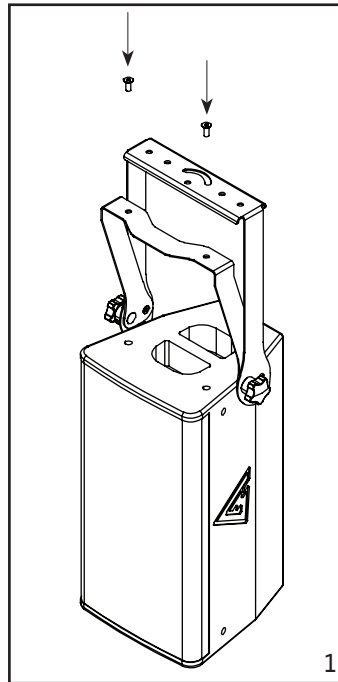
LNx12 (part No. 00-0005437)

LNx15 (part No. 00-0005436)

1. Remove two top M10 bolts from mounting points and position LNx10 (for NX 10, NX 10A and NX 10i), LNx12 (for NX 12, NX 12A and NX 12i) or ANx15 (for NX 15, NX 15A and NX 15i) rotation bracket to fit mounting points (pic. 1.)

2. Use two M10 bolts to secure LNx10, LNx12 or LNx15ANx12 or ANx15 rotation bracket in place (pic. 2.)

3. Use winches on each side of the cabinet to adjust vertical tilt (pic. 3, 4.) NX series speaker with LNx10, LNx12 or LNx15 may be mounted to wall or ceiling using mounting holes of the rotation bracket.



5.7. Wall or ceiling mounting using the horizontal bracket

Accessories:

HNX10 (part No. 00-0005438)

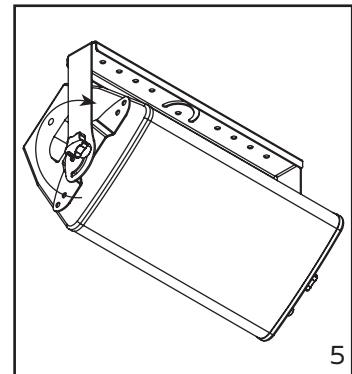
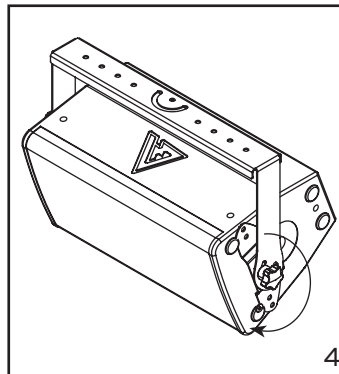
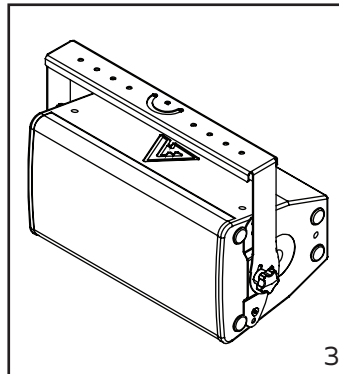
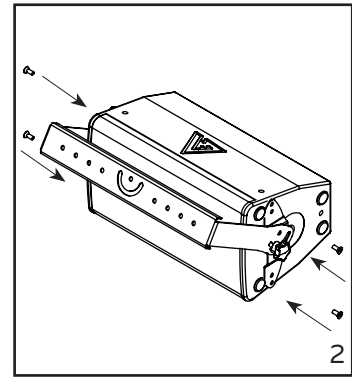
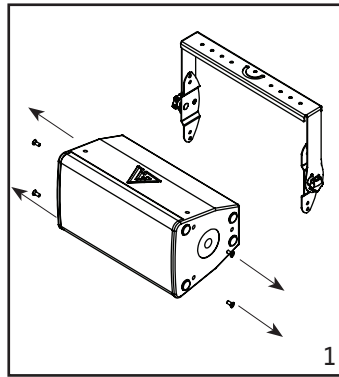
HNX12 (part No. 00-0005439)

HNX15 (part No. 00-0004318)

1. Remove four M10 bolts from mounting points and position HNX10 (for NX 10, NX 10A and NX 10i), HNX12 (for NX 12, NX 12A and NX 12i) or HNX15 (for NX 15, NX 15A and NX 15i) horizontal bracket to fit mounting points (pic. 1.)

2. Use two M10 bolts to secure HNX10, HNX12 or HNX15 horizontal bracket in place (pic. 2.)

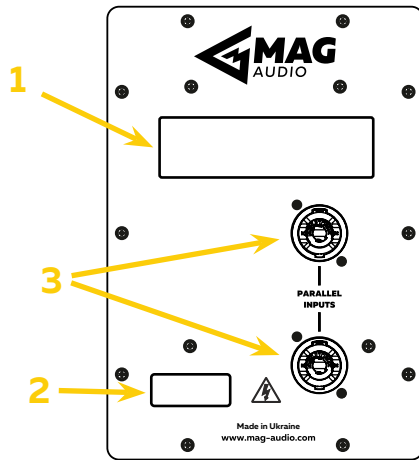
3. Use winches on each side of the cabinet to adjust vertical tilt (pic. 4, 5.) NX series speaker with HNX10, HNX12 or HNX15 may be mounted to wall or ceiling using mounting holes of the horizontal bracket.



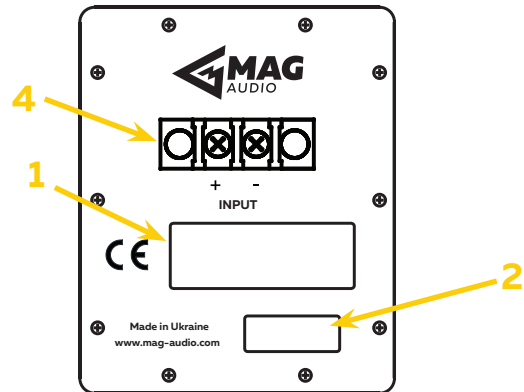


5.8. Passive speakers

NX 10, NX 12, NX 15
connection plate



NX 10i, NX 12i, NX 15i
connection plate



1. LABEL FIELD: name of the system, along with its basic parameters is noted here.

2. SERIAL NUMBER FIELD: sticker with the systems serial number is located here. NEVER REMOVE THE SERIAL FROM THE SYSTEM, AS IT IS IMMEDIATE WARRANTY VOID.

3. PARALLEL INPUTS: the pair of parallel Neutrik® Speakon connectors. Use this connectors to connect power amplifier and to feed the signal to the parallel system (optional).

4. INPUT: pair of screw terminals. Use these to connect power amplifier.

5.8.1. Passive connections

Suggested accessories:

CN-0031 (part No. 00-00004271)

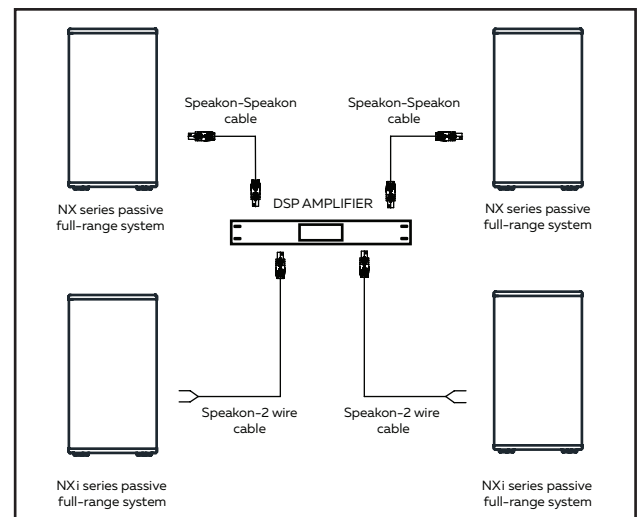
CN-0032 (part No. 00-00004272)

Use power amplifier with DSP or power amplifiers with external speaker processor with NX series passive systems.

MAKE SURE TO USE HIGH PASS FILTER FOR ALL NX SERIES SYSTEMS TO PREVENT EXCESSIVE CONE MOVEMENT, RESULTING IN TRANSDUCER DAMAGE OR FAST DETERIORATION.

Recommended HPF settings, suggested power amplifier ratings, and connection pins are found in table below:

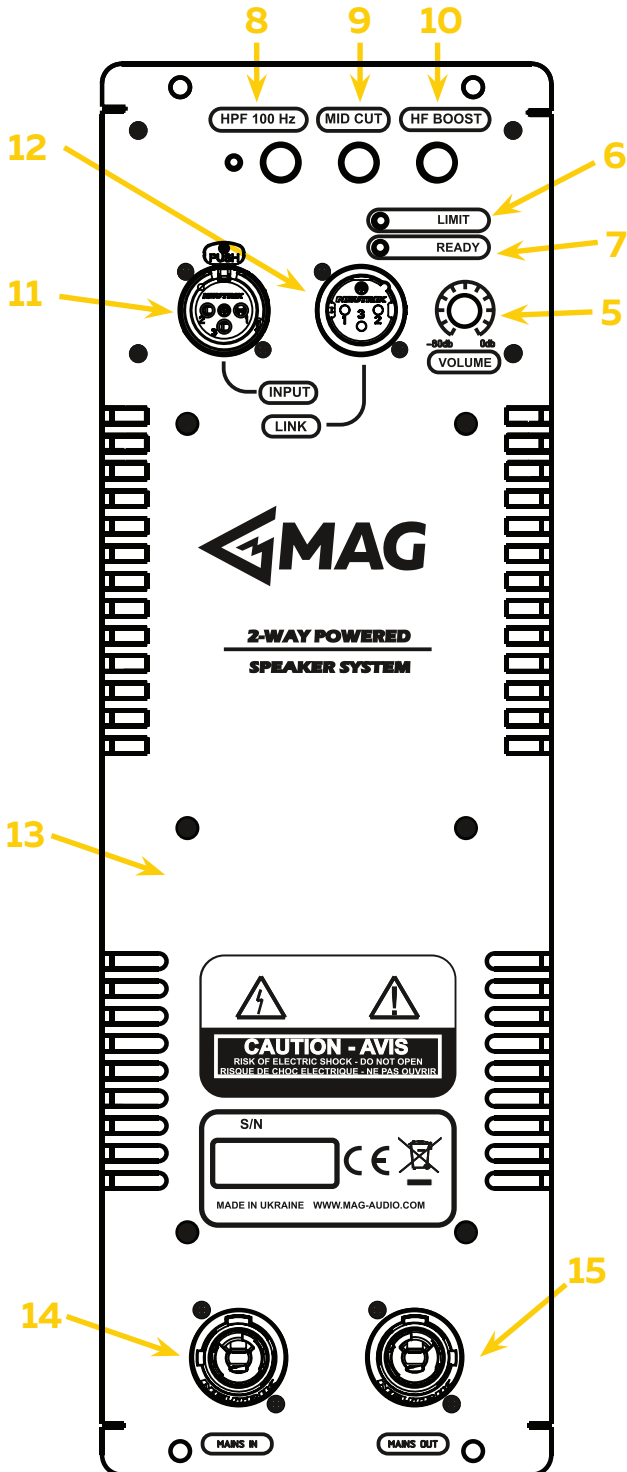
NX series passive connection diagram



System	Amplifier power	Amplifier impedance	Connection pins	Recommended HPF
NX 10	500 - 1000 W	8 Ohm	+1 -1	60 Hz or higher, 18 dB/oct min
NX 10i	500 - 1000 W	8 Ohm	+ -	60 Hz or higher, 18 dB/oct min
NX 12	500 - 1000 W	8 Ohm	+1 -1	55 Hz or higher, 18 dB/oct min
NX 12i	500 - 1000 W	8 Ohm	+ -	55 Hz or higher, 18 dB/oct min
NX 15	500 - 1000 W	8 Ohm	+1 -1	50 Hz or higher, 18 dB/oct min
NX 15i	500 - 1000 W	8 Ohm	+ -	50 Hz or higher, 18 dB/oct min

5.9. Powered speakers

NX 10A, NX 12A, NX 15A
amplifier



5. **VOLUME KNOB:** used for adjusting the volume of the system. Remember to turn the volume down before connecting/disconnecting INPUT or LINK connectors.

6. **LIMIT LED:** is lit when limiter is operational, indicating excessive signal through the system.

7. **READY LED:** is lit when system is fully operational.

8. **HPF 100 Hz BUTTON:** engages a 100 Hz high-pass filter for usage with subwoofer.

9. **MID CUT BUTTON:** engages a mid-cut EQ contour.

10. **HF BOOST BUTTON:** engages a high frequency boost

EQ contour.

11. **INPUT CONNECTOR:** used for connecting the system to the signal source (mixing console etc.)

12. **LINK CONNECTOR:** used for linking additional compatible system to the same signal source.

13. **HEAT SINK:** do not close the ventilation openings on the heat sink, as it may cause the system to overheat and switch off by itself.

14. **MAINS IN:** used for connecting mains supply to the system.

15. **MAINS OUT:** used for feeding the mains supply to the additional system.



5.9.1. Mains connection

NX series powered systems are supplied with CN-0010 PowerCon-E/F CEE 7/7 mains cable (part number 00-00005561). Use only original or supplied by manufacturer mains cables!

NX series powered systems are equipped with PowerCon B mains power outlets for mains link to additional NX series powered system.

NX series systems' nominal mains power specifications: AC 220V, 50/60 Hz.

Nominal voltage tolerance: 100 - 250 V.

To power up the system, connect the mains cable to the system, then to the power outlet.

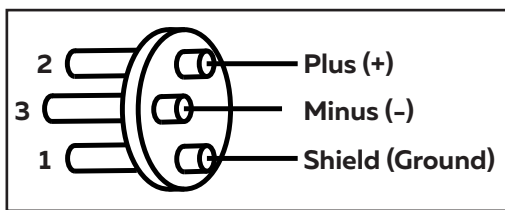
To completely power down the system, disconnect the mains cable from the power outlet.

5.9.2. Signal connections

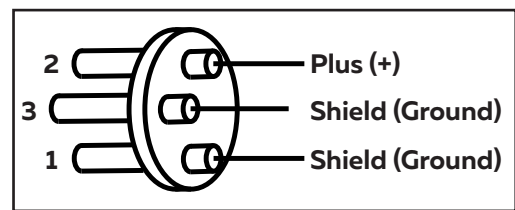
NX series systems are equipped with XLR INPUT and XLR LINK connectors for signal connection.

Use of balanced XLR connector cables is recommended. In case when balanced XLR connections are not available, unbalanced XLR connection is acceptable.

For linking the additional system to the same signal bus LINK connector may be used.



Balanced XLR Plug connections



Unbalanced XLR Plug connections

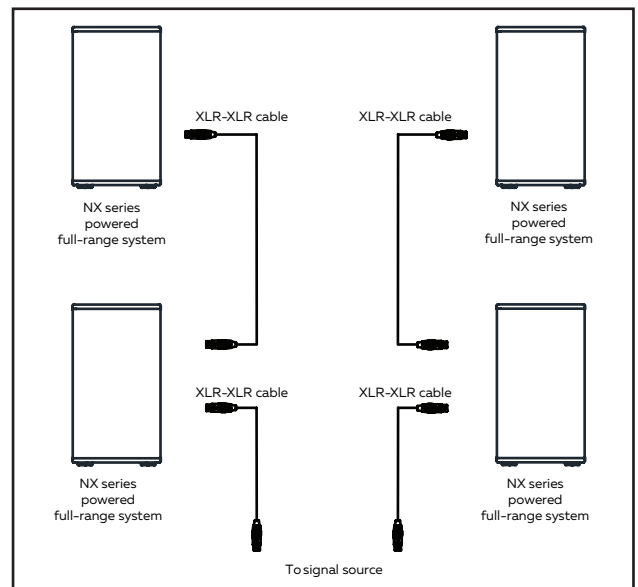
5.9.3. Amplifier controls

Use several available NX series speaker system's amplifier controls to set up the entire system:

HPF 100Hz: provides a 100Hz high-pass filter to seamlessly couple the full-range system with powered subwoofer.

MID CUT: engages a mid frequency cut contour for loudness effect, or cutting out harsh presence for more comfortable background music experience.

HF BOOST: engages a high-frequency contour to compensate for loss for far-throw applications.



NX series powered signal connection diagram

6. Standard contents

Please check the complement of your NX series system upon receiving the package.

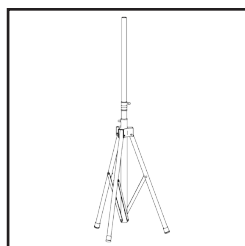
Standard contents of NX series systems:

System	Supplied NX series system	NX series User Manual	CN-0010 PowerCon mains cable	Polyethylene bag	Carton Box
NX 10-8	NX 10 8 Ohm passive speaker system	+		+	+
NX 10i-8	NX 10i 8 Ohm passive speaker system	+		+	+
NX 10A	NX 10A powered speaker system	+	+	+	+
NX 12-8	NX 12 8 Ohm passive speaker system	+		+	+
NX 12i-8	NX 12i 8 Ohm passive speaker system	+		+	+
NX 12A	NX 12A powered speaker system	+	+	+	+
NX 15-8	NX 15 8 Ohm passive speaker system	+		+	+
NX 15i-8	NX 15i 8 Ohm passive speaker system	+		+	+
NX 15A	NX 15A powered speaker system	+	+	+	+

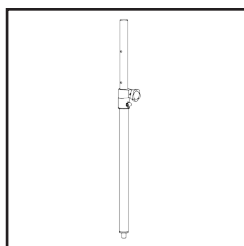


7. Accessories

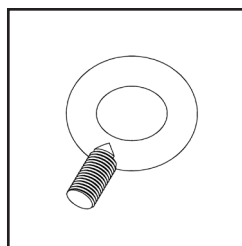
Various accessories are available for NX series systems:



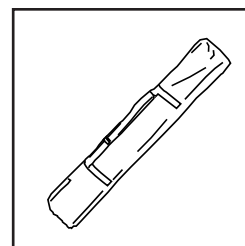
N-BOX-4 speaker stand
Part No. 00-00003474



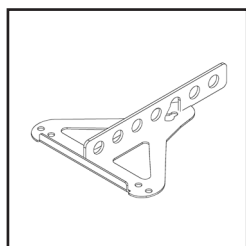
SAT-3T M20 Distance pole
Part No. 00-00003644



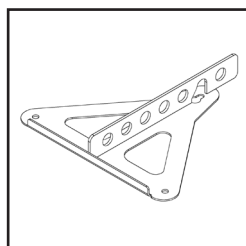
VA-0016 M10 Rigging eyebolt
Part No. 00-00003695



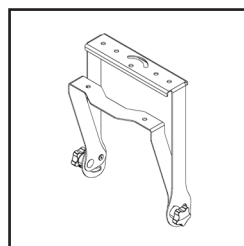
BOX-CB2 Bag for two speaker stands
Part No. 00-00003553



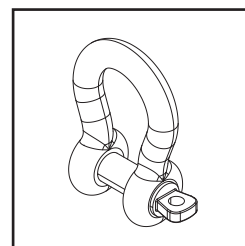
ANX12 flying adapter
Part No. 00-0005433



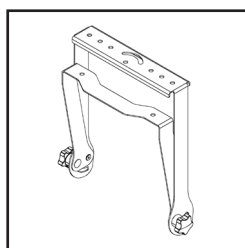
ANX15 flying adapter
Part No. 00-0005434



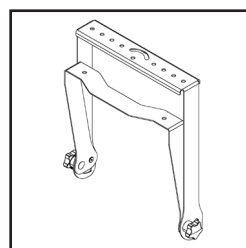
LNX10 rotation bracket
Part No. 00-0005435



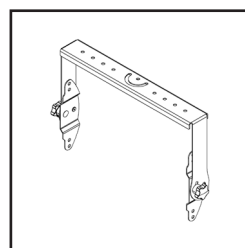
VA-0012 omega-shackle
Part No. 00-00003593



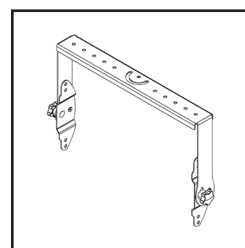
LNX12 rotation bracket
Part No. 00-0005437



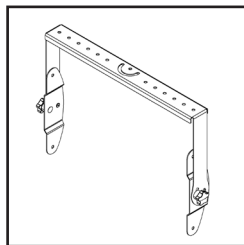
LNX15 rotation bracket
Part No. 00-0005436



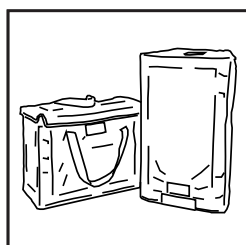
HNX10 horizontal bracket
Part No. 00-0005438



HNX12 horizontal bracket
Part No. 00-0005439



HNX15 horizontal bracket
Part No. 00-0005440



NX 10-TB - NX 10 transportation bag Part No. 00-0006745

NX 10A-TB - NX 10A transportation bag Part No. 00-0006744

NX 12-TB - NX 12 transportation bag Part No. 00-0006695

NX 12A-TB - NX 12A transportation bag Part No. 00-0006743

NX 15-TB - NX 15 transportation bag Part No. 00-0006651

NX 15A-TB - NX 15A transportation bag Part No. 00-0006650

8. Warranty and assistance

8.1. Product warranty

1. By this warranty MAG Audio grants that all equipment manufactured under the MAG Audio trademark is free from defects in material, components and factory workmanship under the normal use and maintenance for the time as specified below.

2. All warranty repairs and maintenance of MAG Audio products shall be carried out at MAG Audio production sites or by MAG Audio authorized personnel.

3. Warranty period for cone transducers, high frequency drivers and crossovers, whether sold separately or as a component of a speaker system, is 60 months from the production date.

4. Warranty period for enclosures, grills, connection plates and accessories, whether sold separately or as a component of a speaker system, is 60 months from the production date.

5. Warranty period for built-in power amplifiers, whether sold separately or as a component of a speaker system, is 36 months from the production date.

6. Warranty repairs or maintenance will be performed only if a) MAG Audio product was purchased from an official MAG Audio distributor / dealer and b) warranty card with specified serial number, production date, realization date, vendor's signature and stamp is presented.

7. Warranty shall not cover following: damage caused by accident, misuse or failure to follow exploitation rules stated in technical manual; repairs performed by non-authorized personnel; mechanical damage caused by shipping accidents and normal tear and wear.

8. Warranty shall not be applicable to any product with defaced, removed, or modified serial number.

9. If your MAG Audio product needs repairs or maintenance, contact your official MAG Audio distributor / dealer. Please do not ship your MAG Audio product without prior authorization.

8.2. Assistance

There are no user-serviceable parts in your device. Refer servicing to qualified technical personnel. In addition to in-house service department, MAG Audio supports the chain of distributors, authorized in repairs and service. If your device needs repair contact your MAG Audio dealer or distributor.

Occasionally, due to the nature of the failure, it might be necessary to return defective products to MAG Audio for repair. In this case, before shipping, please kindly contact your MAG Audio distributor or dealer, or MAG Audio directly. You will be provided the RMA number code and detailed instructions regarding your particular case. Please do not send products without a prior authorization.

Thank you for your understanding, cooperation and choice of MAG Audio products.



2 Merezhna St., Bila Tserkva,
Kyiv region, 09100, Ukraine
Tel./Fax: +38 044 2774789
e-mail: info@mag-audio.com
www.mag-audio.com