

# R SERIES

Installation and  
Operation Manual



R2

## MODELS

R2-52Z, R2-77Z, R2-94Z  
R2-474Z, R2-694Z



## Introduction



*Since the founding of our company in 1968, Community has been a constant developer and innovator of loudspeaker technology. Many of our engineering achievements were undertaken to solve problems, when no prior solutions existed. Others resulted from simply seeing a better way to do things.*

*Over the years our technologies have been imitated, and our methods have become common practice throughout the professional sound industry. However, developments like carbon fiber diaphragm compression drivers still stand alone, and well ahead of the competition.*

*In line with our history of excellence and innovation, each Community product is manufactured in accordance with a complicated and exacting chain of procedures that ensure absolute quality.*

*With our unique designs, our sophisticated techniques, and our proprietary materials and transducers, we are committed to bringing only the finest audio products to the many thousands of professional sound engineers, performers, and end users who rely on them daily.*

Community's R SERIES is a high-quality, high-fidelity product line designed to be highly weather-resistant. R SERIES products perform consistently in continuous outdoor exposure while simultaneously providing superlative acoustic performance.

This manual is intended to help you install and use R SERIES loudspeakers safely and effectively. It provides useful information to help you obtain the best performance, sound quality, and reliability from your R SERIES systems. We recommend that you read this manual in its entirety, to ensure that your R SERIES installation meets the highest possible standards.

Every effort has been made to ensure that the information contained in this manual was complete and accurate at the time of printing. However, due to ongoing technical advances, changes or modifications may have occurred that are not covered in this publication. The latest version of this manual and the most recent product information published by Community is always available at <http://www.communitypro.com>.

## EU/EC STATEMENT OF CONFORMITY

Community Professional Loudspeaker products bearing the CE label meet all the requirements in the EMC directive 2014/30/EU laid down by the Member States Council for adjustment of legal requirements, furthermore the products comply with the rules and regulations referring to the electromagnetic compatibility of devices from 16 April 2016.

The Community Professional Loudspeaker products bearing the CE label comply with:

Low Voltage Directive 2014/35/EU  
Waste from Electrical Equipment Directive 2002/96/EC RoHS

The Declaration of Conformity statement is available upon request.

Technical specifications for products can be found at [www.communitypro.com](http://www.communitypro.com).

The responsible manufacturer is the company:

Community Light & Sound, Inc.  
333 East Fifth Street  
Chester, PA 19013 USA  
Phone: +1 610 876-3400 Fax: +1 610 874-0190

# Table of Contents

<b>Introduction</b> .....	Page 2
<b>EU/EC Statement of Conformity</b> .....	Page 2
<b>Important Safety Information</b> .....	Page 4
<b>Unpacking and Inspection</b> .....	Page 4
<b>Features and Information</b>	
R2 Features.....	Page 5
Description of the R SERIES.....	Pages 6-7
R SERIES Accessories and Options .....	Page 7
Coverage Patterns.....	Page 8
Aiming Axis .....	Page 9
<b>Installation</b>	
Electrical Installation and Safety.....	Page 10
Signal Processing .....	Page 11
Power Amplification .....	Page 11
General Mounting Instructions.....	Pages 12-13
Mounting Yoke Assembly .....	Pages 13-15
Mechanical Installation and Safety.....	Page 16
Maintaining Weather-Resistance.....	Page 17
<b>System Operation</b>	
Operating Precautions.....	Page 18
System Optimization .....	Page 19
<b>Technical information</b>	
Technical Drawings .....	Pages 20-21
In Case of Difficulty .....	Page 22
<b>Service, and Warranty Information</b> .....	Page 23

## WHAT'S IN THE BOX

Each shipping carton contains the following items:

- (1) R2 Full-Range Loudspeaker System
- 1/2—13 x 1" stainless steel mounting bolts, each with a lock, flat, and rubber washer (already installed on the enclosure)
- Mounting Yoke (Qty 1)
- Installation/Operation Manual (Qty 1)
- Warranty Card (Qty 1)

# Important Information

## IMPORTANT SAFETY INFORMATION

Always follow these basic safety precautions when using or installing R SERIES loudspeakers and accessories. Read and keep these instructions, and heed all warnings.

Follow all instructions, particularly those pertaining to rigging, mounting, hanging and electrical connections. Only use accessories that are specified and approved by the manufacturer.

The terms **IMPORTANT**, **WARNING**, and **DANGER** are used throughout this manual to alert the reader to important safety considerations. If you have any questions or do not understand the meaning of these terms, do not proceed with installation. Contact your local dealer, distributor, or call Community directly for assistance. These terms are defined below:



**IMPORTANT:** describes an operating condition or user action that may expose the equipment or user to potential damage or danger.



**WARNING:** describes an operating condition or user action that will likely cause damage to the equipment or injury to the user or to others in the vicinity.



**DANGER:** describes an operating condition or user action that will immediately damage the equipment and/or be extremely dangerous or life threatening to the user or to others in the vicinity.

## RIGGING AND ELECTRICAL SAFETY



**DANGER:** The loudspeakers described in this manual are designed and intended to be 'flown' or suspended for maximum acoustical performance using a variety of rigging hardware, means, and methods. Installation of loudspeakers should only be performed by trained and qualified personnel. It is strongly recommended that a licensed and certified professional structural engineer approve the mounting design. Severe injury and/or loss of life may occur if these products are improperly installed.



**DANGER:** R SERIES rigging fittings are rated at a Working Load Limit (WLL) of 100 lbs (45.4kg) with a 10:1 safety margin. No single rigging fitting should ever be subjected to a load that is greater than this stated limit. Failure to heed this warning could result in severe injury and/or loss of life.



**IMPORTANT:** Refer to the sections on installation and connections later in this manual for additional information on rigging and electrical safety.



**IMPORTANT:** The stainless steel mounting bolts that come installed in each enclosure must either be used to mount the Accessory Mounting Yoke or they must be kept in place to seal the enclosure from air leaks. If the rigging fittings do not remain sealed, air leaks will occur in the enclosure that will compromise the loudspeaker's weather-resistance and its low frequency performance.

## UNPACKING AND INSPECTION

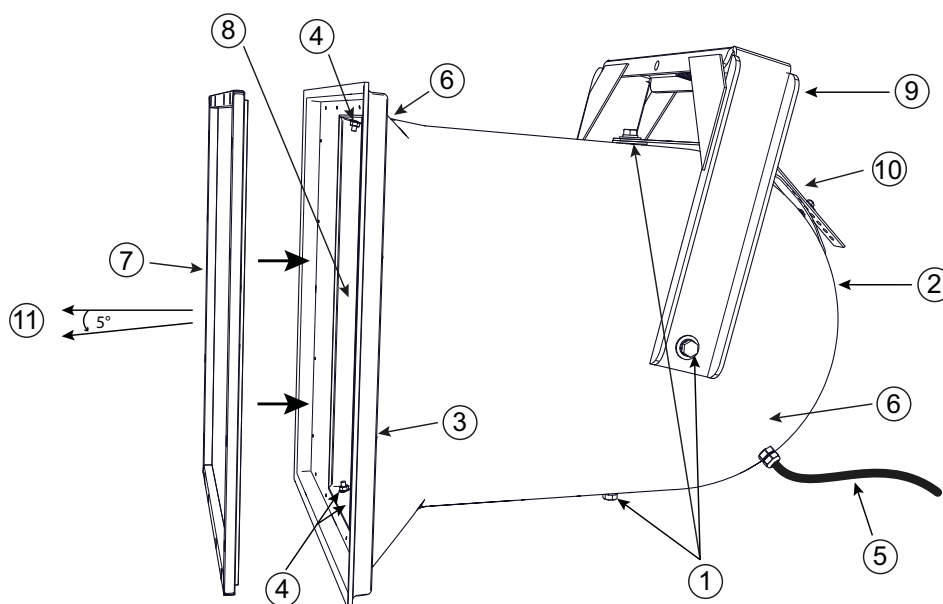
R SERIES loudspeakers are inherently rugged and are carefully packed in sturdy cartons. However, it's wise to thoroughly inspect each unit after it has been removed from the packaging, as damage could occur during shipping.

## SHIPPING CLAIMS

Please note that once the shipment has left your dealer or the Community factory, the responsibility for damage is *always* borne by the freight company. If damage has occurred during shipping, you must file a claim directly with the freight company. It's very important to contact the freight company as soon as possible after receiving your shipment, as most freight companies have a short time limit within which they will investigate claims. Make sure to save the carton and the packing material, as most claims will be denied if these materials are not retained. Your Community dealer and the factory will try to help in any way they can, but *it is the responsibility of the party receiving the shipment to file the damage claim.*

It's always a good idea to retain the carton and packing materials indefinitely, if possible, in the event that the unit may need to be returned to your dealer or distributor for repair in the future.

## R2 Quick Start - Features



**FIGURE 1**

	<b>MOUNTING/RIGGING POINTS</b>	<b>DESCRIPTION</b>
<b>1</b>	Mounting/Rigging Points	Five, one on each side and one on the rear. 1/2"-13 captive zinc plated inserts with 1/2"-13 x 1" SS bolts and lock, flat and rubber washers. Used for attaching the R2 Mounting Yoke or customer-supplied mounting system.
<b>2</b>		<b>Other Mounting Points</b>
<b>3</b>	Grille Retainers (16)	The grille assembly is retained by (16) #6 machine screws.
<b>4</b>	Mid-High Frequency Horn Mounts	Two on top and bottom of horn mount. 1/4-20 x 1" SS hex head bolts. Used to attach the mid-high frequency horn assembly to the enclosure.
		<b>Input</b>
<b>5</b>	Input Cable	For signal connections to the loudspeaker. About 12 ft of 16-2 SJOW cable retained by a factory-sealed gland-nut. White = (+) and Black = (-).
		<b>Other Features</b>
<b>6</b>	R2 Labels	Model number, coverage pattern, serial number, hook-up, and power information. The label behind the horn mouth is used to identify the top of the horn enclosure. <sup>1</sup>
<b>7</b>	Grille	Perforated steel backed by a layer of UV-resistant reticulated foam and a fine mesh screen.
<b>8</b>	Mid-High Frequency Horn Assembly	Mounted inside bass horn to form a triaxial system.
<b>9</b>	Mounting Yoke	The mounting yoke is included. See Figure 4A and 4B for assembly instructions.
<b>10</b>	Contour and Securing Straps	Included with mounting yoke. See Figure 4A for assembly instructions
<b>11</b>	Acoustic Axis	R2-52Z, R2-77Z, R2-94Z—Acoustic axis is in line with cabinet's geometric axis R2-474Z, R2-694Z—Acoustic axis is tilted down 5° from cabinet's geometric axis

<sup>1</sup> Top of enclosure is up for specified horizontal and vertical coverage.

# R SERIES Information

## DESCRIPTION OF THE R SERIES

### ***All-Weather, All-Purpose***

Though designed to handle the harshest environmental conditions, R SERIES is the perfect choice for many indoor environments. With more than 20 models to choose from, ranging from short throw with wide coverage angles to ultra-narrow, long throw systems, the task of designing an acoustically and economically effective sound system has never been easier. In many cases, a small number of R SERIES loudspeakers can provide top quality sound for a surprisingly large physical area, making them one of the most acoustically and economically effective solutions available anywhere. Visit [www.communitypro.com](http://www.communitypro.com) to learn more about the entire R SERIES family including **R6, R2, R1, R.5, R.25, R.35, R.15, R-MAX, RSH** and **RMG** systems.

### ***R SERIES Applications***

R SERIES products are designed for permanent installation or portable use both outdoors and indoors. The primary applications for Community's R SERIES are those where re-entrant horns, outdoor two-way horn/woofer loudspeakers, and some larger horn loudspeakers typically are used but lack capability for both high quality music reproduction and longer distance voice projection.

R SERIES products are ideally suited for athletic fields (football, soccer, baseball, tennis) and field houses, theme parks, amusement parks, swimming pools, ski slopes, cruise ships, steeple carillons, fairgrounds, rodeos, small arenas, racing tracks, air shows, skating rinks, convention centers, factories, warehouses, and portable sound systems. They can complement Community WET Series II products for projects needing a combination of both longer and shorter-throw applications.

## R2 FEATURES

The Community R2 loudspeakers are three-way, triaxial, full-range systems. Completely horn-loaded and with an enclosure constructed of fiberglass, they are highly weather-resistant. easy to install, and produce very high output for their size. These unique products are based around the M200 midrange driver and excel at both voice projection and full-range, high-fidelity music reproduction. These loudspeakers are very efficient, have amazing bass response, and produce high output: 130 dB SPL @ 1m. Additionally, unique coverage patterns in the R2 Series provide a range and evenness of coverage not available with conventional loudspeakers.

### ***Drivers***

R2 loudspeakers feature a 1" exit, titanium compression driver for HF, the 2" exit M200 midrange compression driver and two 12" FerroFluid-cooled woofers. Additionally, the R2-52Z loudspeaker has two M200 midrange drivers. The low frequency cones have been treated with a special water-resistant coating.

### ***Crossover***

The drivers are acoustically mated through a high quality three-way passive crossover using 250V mylar capacitors and precision wound coils. The crossover incorporates Community's proprietary DYNA-TECH™ protection circuitry to help prevent damage from excessive input power. The input signal to the crossover is provided through a 16-2 SJOW cable with stripped ends, held captive to the enclosure by a weather-tight gland -nut.

## R SERIES Information

### R2 FEATURES (continued)

#### **Enclosure**

The R2 enclosure is made entirely of hand-laminated fiberglass. An inner low frequency fiberglass horn is bonded to the outer enclosure shell creating an air chamber between the two which forms the woofer enclosure. A separate mid-high frequency fiberglass horn is bolted into the mouth of the bass horn. All bolts and screws for mounting the enclosure and the mid/high horn assembly are stainless steel. All external mounting hardware is stainless steel. The speaker cable gland-nut is made of polypropylene and approved for outdoor electrical installation.

#### **Weather-Stop™ Grille**

Each enclosure is fitted with Community's proprietary Weather-Stop™ protective grille. The grille consists of a corrosion-resistant outer layer of perforated steel with a proprietary zinc-rich epoxy dual-layer powder coat finish in light grey, a center layer of UV-resistant reticulated foam, and an inner layer of fine-mesh screen made from a UV-resistant synthetic material that blocks rain and fights rusting. This grille assembly prevents water intrusion, while providing a high degree of acoustic transparency.

#### **Mounting Bracket (Yoke)**

Each R2 loudspeaker includes a yoke mounting bracket. The R2 Mounting Yoke provides a convenient and robust mounting system consisting of a yoke and associated hardware to securely set the aiming angle. The yoke assembly provides a number of possible mounting scenarios as well as capability for easily orienting the aiming of the loudspeaker.

## R SERIES ACCESSORIES AND OPTIONS

### **Other Rigging Accessories**

**Always purchase rigging accessories, including eyebolts and other mounting hardware, from a reliable supplier who certifies their products for the intended application.** For outdoor use or use in corrosive atmospheres (like indoor swimming pools), make sure the rigging accessories are corrosion resistant. ATM Flyware ([www.atmflyware.com](http://www.atmflyware.com)), a division of Allen Products, and Polar Focus ([www.polarfocus.com](http://www.polarfocus.com)) are examples of rigging suppliers that supply certified products for professional audio installations.

### **Custom Colors**

For volume purchases, all R SERIES and WET II products may be ordered in custom color enclosures at a nominal fee to elegantly match their physical installation environment. Please contact Community for a quote on cost and lead time.

### **TRC400**

Optional external 400-watt transformer for 140-volt distributed systems.

# Coverage Patterns

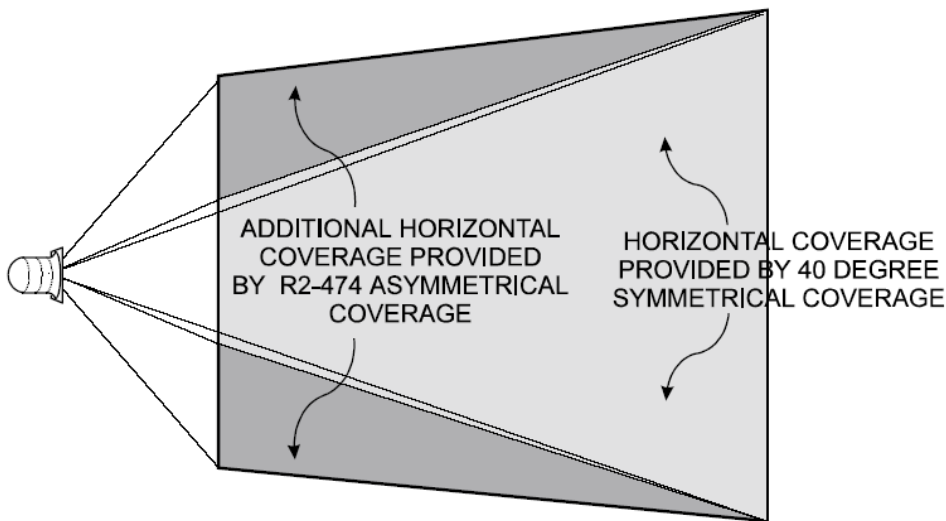
## R2 COVERAGE PATTERNS

The coverage pattern for the particular R2 model being used must be understood for proper aiming of the loudspeaker.

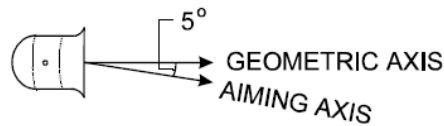
### ***Asymmetrical Coverage Pattern (R2-474 and R2-694 only)***

The mid and high frequency horns for the R2-474 and R2-694 are unique asymmetrical designs. Their horizontal dispersion patterns are narrower in the upper part of their vertical coverage pattern and wider in the lower part. Also the vertical coverage angle is greater below the loudspeaker's geometric axis than above it (See **Technical Information** and **FIGURE 5**). This design has two primary benefits:

1. In the upper portion of their vertical coverage patterns, the mid and high frequencies are concentrated in a narrower beam thus effectively increasing their output there. With proper orientation, this portion of the loudspeaker's coverage pattern is used for listeners at longer distances from the loudspeaker. Because you lose 6 dB SPL for each doubling of distance, more output is needed for projecting sound over the longer distances. By contrast the lower portion of their vertical coverage patterns are spread over a wider horizontal area resulting in lower output towards the listening area nearer to the loudspeaker. This design provides more uniform sound level from the near to far listeners.
2. Because of the geometry of these asymmetrical coverage patterns, the relative width of the coverage area stays more uniform from short to long distances. This is graphically illustrated in **FIGURE 2**.



EXAMPLE "BIRD'S-EYE" VIEW OF COVERAGE AREAS



SIDE VIEW OF R2-474 AND 694

**FIGURE 2:** Asymmetrical coverage of the R2-474 and R2-694

***NOTE:*** To maintain weather-resistance, the R2 cabinet should be aimed at least 5° below 0° geometric axis.



## Coverage Patterns

### ***Aiming Axis (R2-474 and R2-694 only)***

The nominal vertical coverage patterns for the mid and high frequency section for the R2-474 and R2-694 are 15° above the geometric axis of the loudspeaker and 25° below it. As illustrated in the "Side View" in **FIGURE 2**, this means the acoustical axis of the mid and high frequencies is not the same as the geometric axis, which is perpendicular to the face of the loudspeaker. This acoustical axis is approximately 5° downward when the loudspeaker is physically aimed straight ahead. This acoustical axis is used to aim the loudspeaker.

In contrast the coverage pattern of the low frequency section, for both loudspeakers, is symmetrical so its acoustical axis is the same as the geometric axis of the loudspeaker. The result is that there is relatively more low frequency energy projected above the mid and high frequency acoustical axis than below it. This better matches the low frequency output to the mid and high frequency output throughout the loudspeaker's coverage pattern.

These points should be taken into account when aiming the loudspeaker. For proper aiming, the R2-694 and R2-474 loudspeakers will be tilted down about 5° less than a loudspeaker with a symmetrical coverage pattern.

### ***Aiming Axis (R2-52Z, R2-77Z and R2-94Z)***

In contrast to the R2-474 and R2-694, the other R2 models that have symmetrical coverage patterns where the geometric axis and acoustical axis are the same, the geometric axis is normally used to aim the loudspeaker.

# Electrical Installation

## CONNECTING THE LOUDSPEAKER

All R2s have approximately 12 ft (3.6m) of 16-2 SJOW-type neoprene jacketed cable attached to the enclosure with a weather-tight gland-nut. This is used for the input signal. This cable may be interconnected to the amplifier output cabling using solder, a terminal block, or wire-nuts. Be sure to provide the connections with a weather-resistant treatment if used outdoors. Do not remove the gland-nut that attaches the cable to the lower rear of the loudspeaker as this can compromise the weather integrity of the enclosure.

### **Connector Cable Polarity:**

The white jacketed conductor is the positive or (+) signal wire and the black is the negative or (-) signal wire. Positive voltage applied to the (+) wire produces positive acoustic pressure at the mouth of the loudspeaker.

## LOUDSPEAKER CABLE

The resistance of the cable you choose to go between the loudspeaker and the amplifier will affect the performance of the loudspeaker. Cable with too high a resistance can cause power losses and impair low frequency performance by reducing the electrical damping factor (DF). To minimize these kinds of losses it is desirable to keep the total cable resistance under 0.2 ohm. For lengths over 100 feet the wire gauges needed to meet this requirement are usually not practical to use for both physical and cost reasons. Therefore #10 AWG is recommended as the most practical gauge for those situations. Use **TABLE 1** to select the proper wire gauge. Either stranded or solid conductors are acceptable although cable with stranded conductors can be easier to work with. The run length for both conductors has been figured into the total resistance. Note the lower the gauge number the larger the wire size.

Run Length	Minimum Gauge (AWG)	Total Resistance
10 ft. (3m)	16	0.08 ohm
25 ft. (8m)	14	0.13 ohm
50 ft. (15m)	12	0.16 ohm
75 ft. (25m)	10	0.15 ohm
100 ft. (30m)	10	0.20 ohm
200 ft. (60m)	10	0.40 ohm
300 ft. (90m)	10	0.60 ohm
400 ft. (120m)	10	0.80 ohm
500 ft. (150m)	10	1.00 ohm

**Table 1: Recommended Cable Gauge**

If installed outdoors, the insulation of the installer-provided cabling should be resistant to water, the effects of temperature, and the effects of ultraviolet radiation from the sun. These are recommended insulations: polyethylene, neoprene, Teflon™, Silicon™, and Hypalon™. These insulations are not recommended because of potentially shorter life expectancy in outdoor environments: rubber, PVC (polyvinylchloride), polypropylene, polyurethane, and nylon.

## Signal Processing

### HIGH PASS (LOW FREQUENCY) FILTER

The R2s use fully horn-loaded low frequency drivers. The specified low frequency response is 70 Hz. Any attempt to reproduce significant levels below this frequency can result in over-excursion of the low frequency drivers. For this reason an electronic high pass filter set for 60 to 70 Hz must be used. The slope should be a minimum of 12 dB per octave. This will protect the drivers from some of the extreme low frequency sounds found on CDs and other program sources. It will also protect against unwanted low frequency energy that can come from such things as microphone wind noise - an important consideration for outdoor applications.

Many power amplifier manufacturers offer plug-in high pass filter input modules. This is an excellent method to provide the necessary filter and to make it relatively tamperproof.



**IMPORTANT:** Operating an R SERIES loudspeaker without the recommended high pass filter will reduce its low frequency power handling and may result in physical damage to the low frequency devices.

### EQUALIZATION

The R2s are designed with a high quality crossover that acoustically balances and matches the low, mid-range, and high frequency drivers for optimum performance. However in some cases external equalization will be used to "voice" the loudspeaker for particular applications or to attenuate feedback-prone frequencies. When equalizing an R2 the following points should be kept in mind to achieve the best results and to avoid damaging the drivers.

1. Use only small amounts of equalization. In particular do not boost frequencies by more than about 3 dB. When cutting frequencies more than 3 dB of attenuation is OK. Bear in mind that extreme frequency cuts will usually result in less than optimum performance.
2. Do not attempt to boost any frequencies below 70 Hz with a graphic equalizer. Note that with the recommended high pass filter, moderate amounts of boost from a simple bass control are acceptable.

## Power Amplification

### CHOOSING POWER AMPLIFICATION

Selecting a power amplifier for an R2 is straightforward. See above "High Pass Filter" section and **page 18** on "Limiting" for additional consideration in selecting an amplifier.

#### **Power Rating**

The R2s are rated at 400W RMS and 800W program power. The recommended amplifier is one with a rated RMS output from 800W to 1200W at 4 ohms. If two R2s are to be connected to one amplifier channel, use an amplifier with a rated RMS output from 1700W to 2300W at 2 ohms.

Using an amplifier of less power than recommended can result in amplifier clipping that can quickly damage the drivers. The built-in DYNA-TECH™ protection circuitry cannot detect clipping nor will it function properly when less than the recommended power is used.

Using an amplifier of more power than recommended can result in overdriving the loudspeaker with the potential for damaging the drivers and/or the protection circuitry.

#### **DYNA-TECH™ Protection Circuitry**

All R2s are equipped with DYNA-TECH™ protection circuitry built into the crossover. It is designed to provide a certain measure of protection against excessive current being delivered to the individual drivers and to the overall system. There is no external indication of when the protection circuitry is active. For this reason it is strongly recommended as an additional precaution that an external electronic limiter be used prior to the amplifier (See "Operating Precautions", **page 18**).

# Installation

## GENERAL MOUNTING INSTRUCTIONS

The R2s are equipped with five mounting points each consisting of a 1/2-13 threaded inset. Four of the points are located at 90 degree intervals around the circumference of the body of the enclosure. They are located 16.5" (419 mm) from the back of the horn mouth flange. The fifth point is located at the apex of the rear of the enclosure bell. Each mounting point is shipped with a 1/2"-13 x 1" (25 mm) stainless steel hex head bolt, stainless steel flat and lock washers and a rubber friction/sealing washer installed. In all cases a minimum of two of the points on opposite sides of the enclosure should be used to mount or rig an R2.

### Acceptable Mounting Point Loading

The mounting points should always be used so that either shear force is applied perpendicular to the direction of and in tight proximity to the mounting hole or tension force is applied perpendicular to the enclosure surface.



**DANGER:** Use the mounting points only as described above and shown in FIGURE 3. Do not use them in such a way as to apply sideways leverage to them. Failure to follow this instruction could result in immediate failure of the mounting points resulting in damage to the loudspeaker and serious injury or death to personnel.

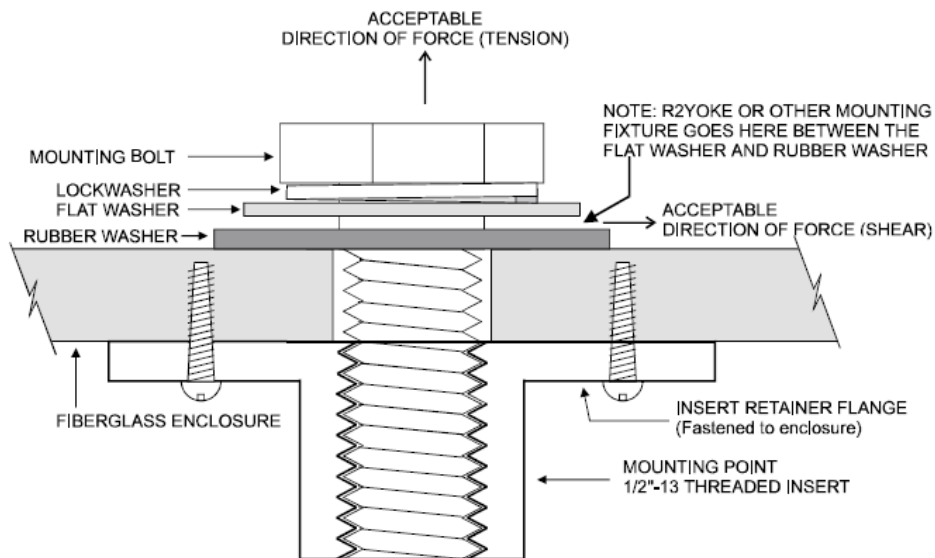


FIGURE 3: R2 Mounting Point Loading

### Mounting Options Other Than the R2 Mounting Yoke

**Eyebolts:** A forged, load-rated, shoulder eyebolt may be used to suspend an R2. The eyebolt must be screwed in so that the shoulder firmly contacts the surface of the enclosure. In all cases the direction of pull on the eyebolt and mounting point should be in tension with up to a maximum of 30° from the vertical axis of the mounting point hole (See FIGURE 3). While a single mounting point used can support the weight of the loudspeaker with a greater than 5:1 safety factor, a safety cable that can independently support the loudspeaker must also be used. Other mounting points can be used as pull-back points to fix the aiming angle.

**Custom Mounting Brackets:** Custom brackets may be used. When mounting the loudspeaker the bracket should pull directly either in tension or shear on the mounting point (See FIGURE 3). It is recommended that any custom bracket be designed to utilize two mounting points on the opposite sides or top and bottom of the enclosure.

# Installation

## ORIENTING AN R2

An R2 has a definite top and bottom. Two R2 models have asymmetrical coverage patterns (See FIGURES 2 and 5). Because of these designs, incorrect orientation will result in improper sound coverage. For the R2 models with symmetrical coverage patterns, a 180 degree inversion will not affect the coverage. When the top of the enclosure is up, the input cable gland-nut will be down and to your right when looking directly at the front of the loudspeaker. Also, the manufacturer's label is on the top of the enclosure. Once the top is determined, you can properly orient the loudspeaker for your particular application according to the specified coverage pattern.

## INSTALLING THE R2 MOUNTING YOKE

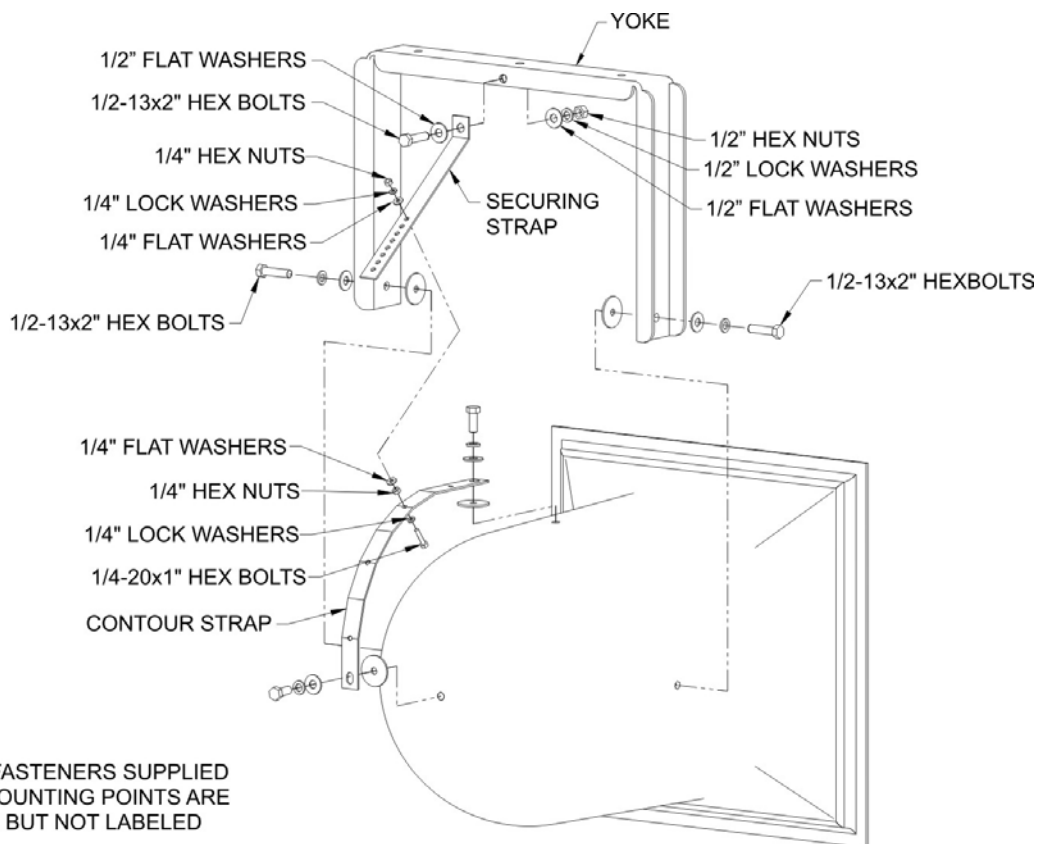


**CAUTION:** The R2 Mounting Yoke is specifically designed to provide a high degree of safety in R2 installations. It is highly recommended for mounting an R2. Other mounting methods should be carefully considered so that undue strain and possible failure of the mounting points does not occur.



**CAUTION:** In order to maintain the weather-resistant integrity of an R2, all five rubber washers supplied with the R2 mounting point hardware must be used and be flush against the enclosure when the R2 is mounted.

The yoke has three 17/32" (13.5 mm) holes in the crossbar. These holes are intended for attachment of the yoke to the structure to which the R2 is to be mounted. The hardware used for the attachment must be load-rated for the intended purpose. Also ensure that the structure you are attaching to is capable of supporting the loudspeaker and yoke assembly. This must include any torque load that may be applied to the structure as a result of the loudspeaker/yoke position and aiming angle. For outdoor installations wind loading must also be taken into account. It is recommended that a qualified and licensed structural engineer approve the mounting design.



**FIGURE 4A:** R2 Yoke assembly– exploded view

# Installation

## R2 MOUNTING YOKE ASSEMBLY INSTRUCTIONS

(See FIGURE 4a and FIGURE 4B)

Normally the yoke should first be attached to the R2 then the entire assembly mounted to a structure. However in some unusual cases it may be desirable to mount the yoke and secure it in place before mounting the R2 to the yoke. Depending on the situation the sequence of the following mounting procedure may have to be modified to facilitate the work. Nonetheless the instructions and precautions about use of the hardware should still be followed.

1. To attach the yoke to the R2, first determine whether the yoke will be attached to the sides or top/bottom of the loudspeaker. This will depend on what the yoke is to be mounted to and how the R2 must be oriented when positioned for proper coverage (See "Orienting an R2", page 13).
2. Once the position of the yoke is determined, remove two supplied 1/2-13 stainless steel mounting bolts, with the lock, flat, and rubber washers from the mounting points where the yoke is to be attached.
3. Position the loudspeaker within the yoke ensuring that the large rubber washers sit between the yoke and the enclosure. Be aware this is intentionally made to be a tight fit. Screw the 1/2-13 x 2" (50 mm) bolts, supplied with the yoke, into the mounting holes using the rubber washers, flat washers, and lock washers removed in step two. Tighten only enough so as to allow the yoke to move as needed for the rest of the procedure. The rubber washer has a 7/16" (11 mm) hole so it fits quite snugly around the mounting bolts to form the weather seal for the R2 mounting hole. It also provides some friction to help hold the yoke in position until completely secured.
4. Attach the short flat end of the Contour Strap to the mounting point located at the back/center of the enclosure bell using the bolt, rubber washer, flat washer, and lock washer supplied in the mounting point. Make sure that the rubber washer is between the Contour Strap and the enclosure. Leave the other end (the long flat end) of the Contour Strap temporarily unattached. Eventually this will be attached to one of the side mounting points. This point must be on the side where the crossbar of the yoke will be positioned when the loudspeaker is in its final mounting location and aimed properly.
5. Mount the R2 and its attached yoke to the structure that will support it. If the center hole on the yoke crossbar is used as one of the yoke mounting points you need to attach the Securing Strap to this hole at the same time you mount the yoke to the structure that will hold the R2 assembly. In addition to attaching the Securing Strap to the yoke, the supplied stainless steel 1/2-13 x 2" bolt, 1/2" flat washers, 1/2" lock washer and 1/2-13" hex nut can be used as a yoke mounting bolt. In any case, the Securing Strap attaches to the yoke using the end of the Securing Strap with the short bent tab and the 9/16" (14 mm) hole in it. The Securing Strap tab is positioned on the side of the yoke crossbar with the long end bent towards the enclosure and positioned over the Contour Strap.
6. After properly securing the yoke to the structure, adjust the aiming angle of the R2. Once the aiming angle is set, bend the Securing Strap against the Contour Strap. The series of holes in the Securing Strap should line up with one of the three 5/16" (8 mm) holes in the Contour Strap. This determines where to locate the bolt in the Contour Strap to attach the Securing Strap. Lift the Contour Strap away from the R2 enclosure and put the 1/4-20 x 1" (25 mm) stainless steel bolt in this hole with the bolt head between the Contour Strap and the enclosure. Secure the bolt to the Contour Strap with one of the supplied 1/4" lock washers and 1/4-20 hex nuts.

### R2 MOUNTING YOKE PARTS LIST

- (1) Yoke Bracket
- (1) Aluminum Contour Strap
- (1) Aluminum Securing Strap
- (3) 1/2-13 x 2" (50 mm) stainless steel bolts
- (1) 1/2-13 stainless steel hex nut
- (2) 1/2" stainless steel flat washers
- (1) 1/2" stainless steel lock washer
- (1) 1/4-20 x 1" (25 mm) stainless steel bolt
- (2) 1/4-20 stainless steel hex nuts
- (2) 1/4" stainless steel flat washers
- (2) 1/4" stainless steel lock washers

*All other hardware must be supplied by the installer.*

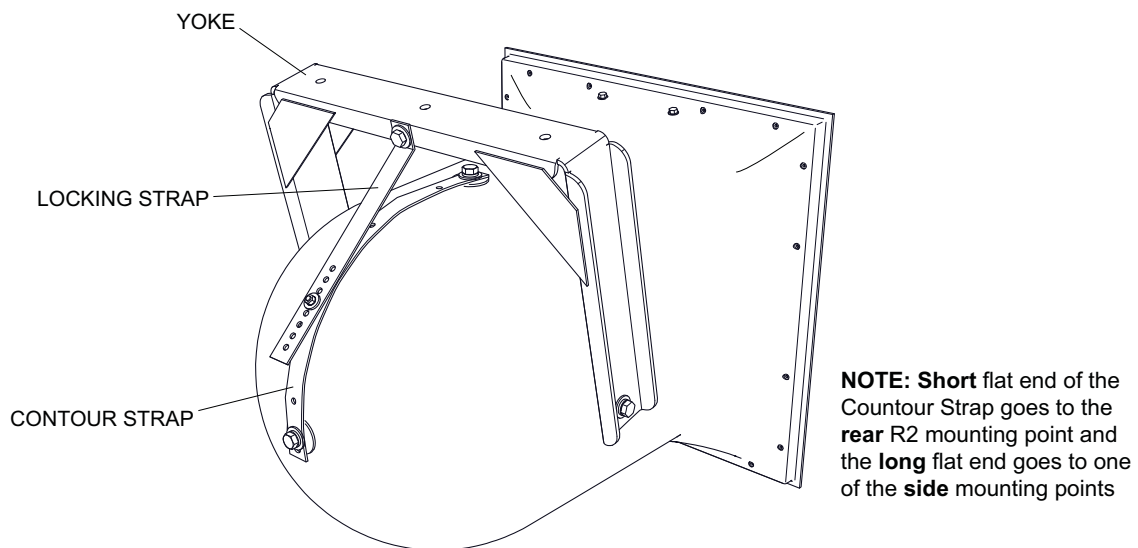
# Installation

## R2 MOUNTING YOKE ASSEMBLY INSTRUCTIONS (continued)

7. Attach the free end of the Contour Strap to the mounting point on the side of the R2 enclosure using the 1/2" - 13 bolt, rubber washer, flat washer and lock washer supplied with the R2 mounting point. Make sure that the rubber washer is located between the Contour Strap and the enclosure.
8. Attach the Securing Strap to the 1/4-20 bolt installed on the Contour Strap in step 6. Use the hole in the Securing Strap nearest to the bolt when the R2 is at the proper aiming angle. You will have to bend the Securing Strap towards the enclosure to put it on the bolt which is normal. First place one of the 1/4" flat washers on the bolt, then the Securing Strap on the bolt. Finish with the remaining 1/4" flat washer, 1/4" lock washer then 1/4-20 nut.
9. Firmly tighten the bolts holding the yoke to the R2 enough to seat the lock washer. Be careful not to over-tighten as, given the size wrench that typically will be used, it is possible to apply excessive torque.
10. Lastly ensure that all the attachment bolts for the Contour and Securing Straps are securely tightened.



**CAUTION:** Any of the mounting bolts supplied with the R2 that are not used for mounting must be left in place with their rubber washers and firmly tightened to maintain the integrity of the weatherproofing.



**FIGURE 4B:** R2 with attached yoke

# Installation

## MECHANICAL INSTALLATION AND SAFETY



**DANGER:** The loudspeakers described in this manual are designed and intended to be 'flown' or suspended for maximum acoustical performance using a variety of rigging hardware, means, and methods. It is essential that all installation work involving the suspension of these loudspeaker products be performed by competent, knowledgeable persons who understand safe rigging practices. Severe injury and/or loss of life may occur if these products are improperly installed.

### ***Important Notes on Rigging Loudspeakers***

There are three areas of responsibility for rigging loudspeakers. The first is the building structure. Always consult with the building architect or structural engineer to assure the ability of the structure to support the loudspeaker system. The second area of responsibility is the loudspeaker itself. Community certifies its loudspeaker systems for suspension when they are properly installed according to our published guidelines. The third area of responsibility is everything between the loudspeaker and the building structure and the actual process of installation. The installing contractor assumes this responsibility. **Loudspeaker rigging should be performed only by certified rigging professionals using certified rigging hardware chosen for the specific application.** Prior to installation, the contractor should present a rigging plan, with drawing and detailed parts list, to a licensed structural engineer (P.E.) or architect for written approval.

### ***Using Safety Cables***

For most applications, the installing contractor or professional engineer might deem necessary (or advisable) that R SERIES cabinets be installed with a secondary means of attachment such as a safety cable. In fact, some local building codes and other regulations may require safety cables, chains or other secondary supports due to seismic concerns, excessive wind loads, etc. Be aware that safety attachment points should not be located at insert points on opposite sides of the cabinet in such a manner that they present a significant force that pulls the insert points away from each other. All safety cables, chains, or other restraining hardware shall be installed so that the line is taut and positioned to minimize dynamic loading (falling, bouncing, swinging, etc.) in the event that the loudspeaker's primary mount fails.

In some cases, forged, overhead rated shoulder eyebolts may be used as attachment points on the cabinet for safety cables with some restrictions. The eyebolt must be screwed in and firmly seated (do not over tighten) with the shoulder of the eyebolt making contact with the rubber washer on the exterior of the cabinet. A rubber washer shall be used between the eyebolt and the cabinet to maintain weather-resistance. Shims may be used between the eyebolt and the rubber washer to position the eye so that it is in the same plane as the suspension cable or chain. Care must be taken to ensure that the safety cable will not induce a load off-axis from the eyebolt's threaded shank.

Hoist Rings provide a method of attachment which has advantages over eyebolts that permit more flexibility in regard to the pull/load direction of the safety line, though at a higher cost. Hoist rings include a hinged "eye" which allows the load applied to the cabinet threaded inserts to remain largely in shear, thus preserving the integrity of the insert point. The same precautions should be taken to properly seat the hoist ring as when seating an eye bolt.

As with all aspects of mounting and rigging loudspeakers, the use of eyebolts, hoist rings, and other safety cabling hardware should be included in a rigging plan approved by a professional engineer.



**IMPORTANT:** The mounting bolts that come installed in each R SERIES enclosure must either be used to mount the Accessory Mounting Yoke or they must remain in place. If the rigging fittings are not sealed, air leaks will occur in the enclosure that will compromise the loudspeaker's weather-resistance and its low frequency performance.



**IMPORTANT:** Eyebolts and other mounting hardware for outdoor usage with R SERIES loudspeakers must be corrosion resistant steel properly rated for the load weight.



# Installation

## MAINTAINING WEATHER-RESISTANCE

There are several things that must be observed when installing an R2 in order to maintain its weather-resistant integrity for outdoor use.

1. We recommend angling the R SERIES loudspeaker at least 5° downward so as to reduce the possibility of rain and other precipitation compromising the performance of the loudspeaker.
2. All five mounting holes must be sealed off with the stainless steel bolts, washers, and rubber washers supplied. If, for any reason, these bolts must be removed, seal off the hole with silicone caulking or some other suitable weather-tight sealant.
3. The rubber washers supplied with the mounting bolts must always seat against the enclosure.
4. The gland-nut securing the loudspeaker cable to the enclosure is sealed at the factory. Do not attempt to remove this nut or the weather-tight seal will be broken. If it is desired to replace the gland-nut with a jack, the jack must be a weather-proof design. It must be suitably sealed to the enclosure with silicone caulk or some other suitable weather-tight sealant. The Neutrik model NL4MP is an excellent connector for this purpose. The gland-nut should be at the bottom when mounting. Leave a "drip loop" so water will not migrate toward the loudspeaker.
5. The grille assembly is designed to prevent normal and wind-driven rain from directly entering the mouth of the loudspeaker. The grille is not designed to withstand such things as being directly sprayed from a hose; therefore, this should be avoided.
6. If you use any hardware in place of the stainless steel screws, bolts, nuts, and washers supplied, it should also be made of stainless steel.



**CAUTION:** If the above instructions are not observed, the weather-resistant integrity of an R2 can be compromised. This can result in damage to or failure of the hardware or internal components which will void the warranty.

# Operating Precautions

## LIMITING

Community recommends use of a limiter to help prevent loudspeaker damage due to sudden transients (dropped microphones, etc.) or amplifier clipping. When used for this purpose, connect the limiter as the last item in the signal chain before the power amplifier (at the input to the power amplifier). Although R2s have built-in DYNA-TECH protection circuitry to help prevent damage to the drivers from excessive power, electronic limiting is strongly recommended. This is especially true if an R2 is installed in relatively inaccessible locations or is being operated by personnel who are not trained operators.

In such cases the limiter should be used as a hard-line device to prevent amplifier clipping and prevent output voltages in excess of 40V RMS and 95V peak power. The following are recommended settings for this purpose. Set the limiter threshold to actively limit the audio signal if the average rises above 40V. In no case should the limiting allow amplifier clipping. If adjustments are available: set the attack time to moderate time (10 msec is a good starting point) and the release time to fast (1 msec is a good starting point). This will allow most peak (dynamic) information to pass. The limiting ratio should be set to at least 10:1. Although this may compromise audio quality when limiting, you are protecting the drivers at this point and therefore audio quality should be a secondary consideration.

## AMPLIFIERS WITH BUILT-IN LIMITING

Recently power amplifier manufacturers have introduced amplifiers with either built-in limiting or accessory limiting modules. In both cases these limiters are usually designed to prevent the amplifier from clipping. This type of limiting is acceptable to use in lieu of a stand-alone limiter because it is easy to set-up, is specifically designed for the amplifier, and in most cases, is tamper-proof. This assumes that the amplifier output is sized as recommended in "Choosing Power Amplification" on **page 11**.

# System Optimization

## CHOOSING THE RIGHT LOUDSPEAKERS AND ELECTRONICS

Choose R SERIES models with high enough maximum SPL to provide the needed SPL at the **farthest listener with an appropriate headroom. Typical headroom factors are at least 6 dB for voice paging, at least 10 dB for voice reinforcement and at least 20 dB for music reinforcement.**

Choose R SERIES models with the right frequency response for the application. Subwoofers will improve the sound quality of a music reinforcement system but may reduce intelligibility in a voice-only system in a reverberant space.

Choose R SERIES models with the right coverage patterns to cover the audience evenly. Point the loudspeakers at the listeners and away from walls and ceilings or outdoor obstructions.

In outdoor applications, loudspeakers may be far enough apart to create artificial echos in areas of overlapped coverage. Ideally, put all loudspeakers in a central location (central cluster design) or use a distributed system design to minimize this problem. In any case, minimize overlap when speakers are separated by more than approximately 40 feet.

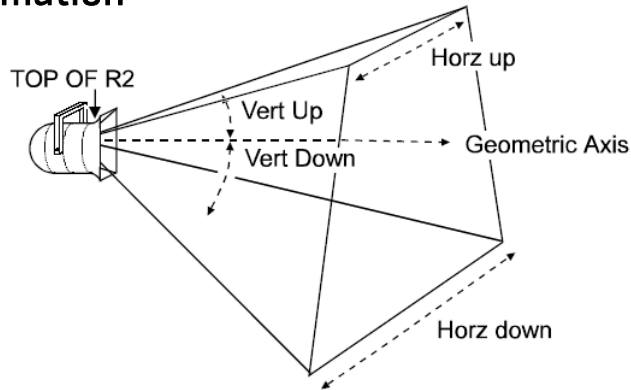
Choose power amplifiers large enough to provide the desired power output with enough headroom to avoid clipping. Use a limiter and high pass filter to protect the loudspeakers. Follow proper wiring design and adjust gains and levels to minimize hum and noise.

## COMMISSIONING THE SYSTEM

Commissioning is the process of optimizing the performance of the system after it has been installed. There are several steps in commissioning including verifying the proper operation of each system component and adjusting system gains and levels.

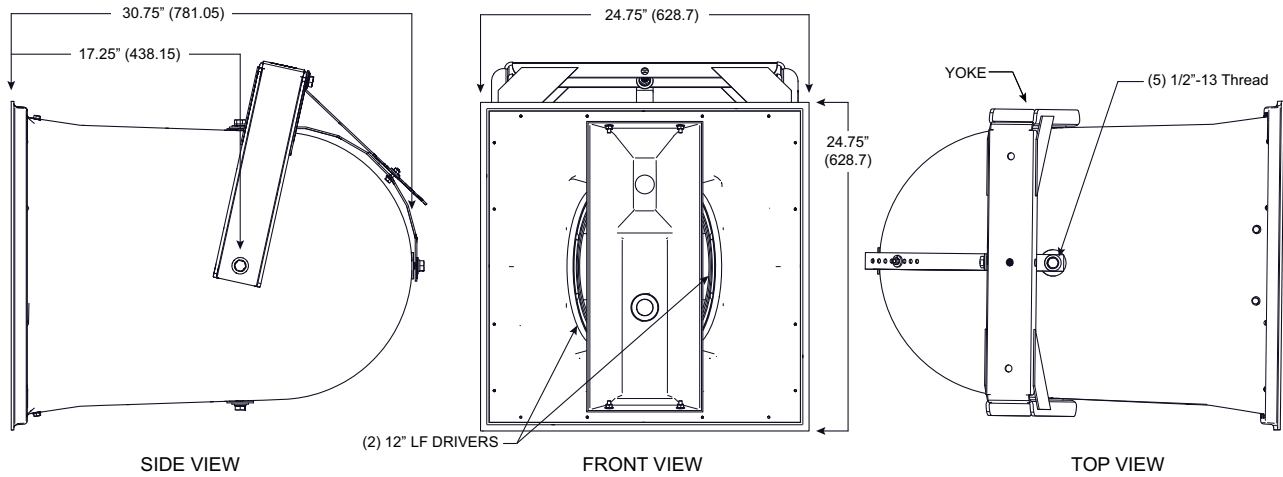
The last step in system commissioning is known as system equalization or "voicing". Equalization is the process of adjusting the frequency response of the system to optimize voice intelligibility or musical sound quality (or both). Note that R SERIES loudspeakers are factory voiced to optimize their speech intelligibility and musical sound quality. For this reason, many designers find they can minimize overall system equalization and still achieve excellent voice intelligibility and musical sound quality.

## R2 Technical Information

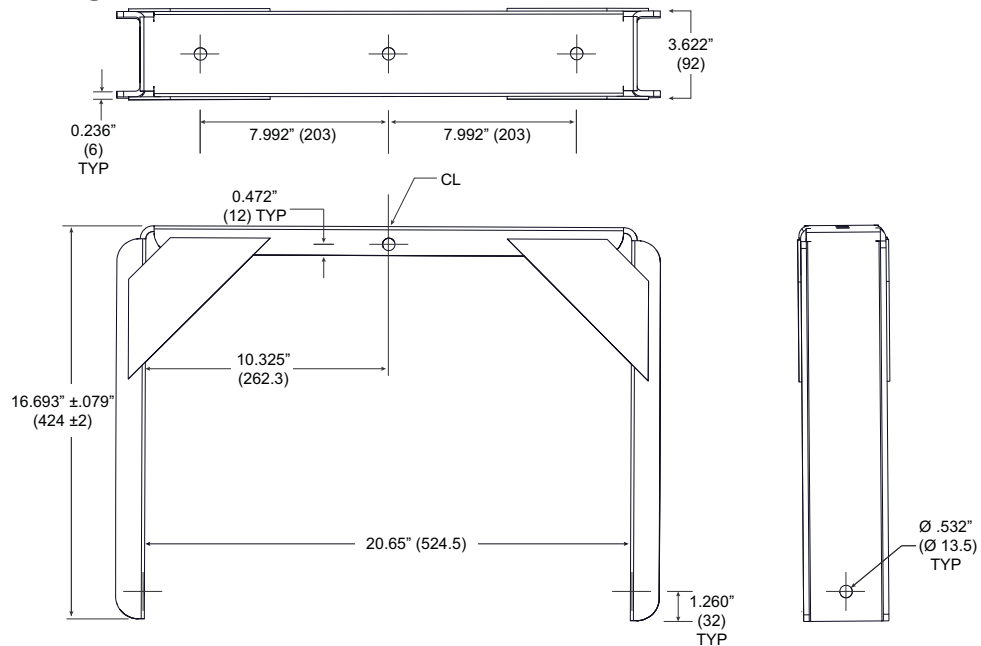


**FIGURE 5: R2 DISPERSION**

### R2 Dimensions



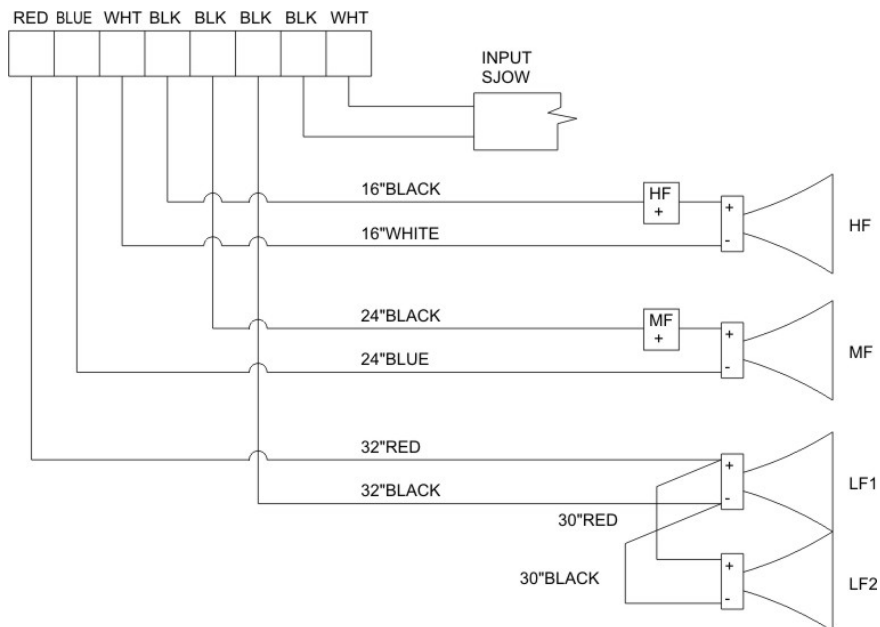
### R2 Yoke Mounting Bracket (included)



# Technical Information

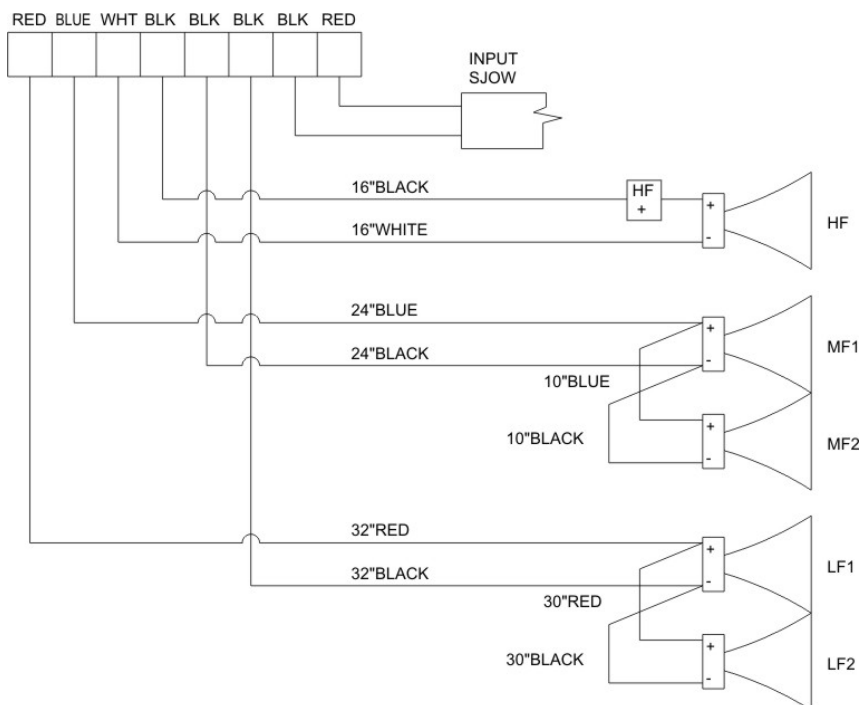
## R2 WIRING

### Models R2-474Z, R2-694Z, R2-77Z and R2-94Z



**FIGURE 6:** R2 Wiring (Models R2-474Z, R2-694Z, R2-77Z and R2-94Z)  
(Note: The polarity reversal shown for the MF/HF is intentional.)

### Model R2-52Z



**FIGURE 7:** R2-52Z Wiring  
(Note: The polarity reversal shown for the HF is intentional.)

## In Case of Difficulty

SYMPTOM	PROBABLE CAUSE	WHAT TO DO
No Sound	Equipment is turned off	Check and make sure that all equipment in the audio signal path is turned on. The
No Sound	Bad or open connection	Make sure the signal and input wire connections for all connectors in the system and to all terminal screws are properly connected or soldered. Make sure all wire and
No Sound	Crossover or all the drivers have completely	This would be an unusual cause but could occur with severe abuse or an adverse amplifier failure. All other possibilities should be explored before assuming this is the
No sound or very low volume	System control is turned down	Check to make sure that the audio signal to the amplifier is high enough to drive it properly. Check all volume/level controls and gain switches in the system including
Low volume level	System electronic gain is too low	Check to make sure that the audio signal to the amplifier is high enough to drive it properly. Check all volume/level controls and gain switches in the system including
Low volume level	Signal or speaker wire connection is shorted	Make sure the signal and input wire connections inside all system connectors are not shorted. Even one small wire strand shorting the +/- terminals either before or after
Volume level drops and comes back	The crossover protection circuits have been	This usually means that the loudspeaker is being constantly overdriven and the crossover protection circuits are reducing the power to the loudspeaker as a
Sound cuts in and out	Bad connection	Check all connections and cabling for shorts or loose connections.
During high output operation the volume drops suddenly and does	The crossover protection circuits have "given up"	This usually means that the loudspeaker was continually overdriven for an extended period and the protection relays have "fused" in their protect mode. The crossover
Distortion, low volume, or no volume from any or all drivers	Cold/open solder joint on the crossover or faulty wiring connection	Using an ohmmeter, check the continuity of the crimp connectors, all solder joints on the crossover and the wiring to the drivers. Also visually inspect solder joints as cold joints may only malfunction with higher current than an ohmmeter supplies. Repair as
Distortion from the loudspeaker at higher volume levels	Too little amplifier power	If the power rating of the amplifier being used is too low, it will clip at higher volume levels. Reduce the volume level or use a more powerful amplifier equal to the
Distortion from the loudspeaker at higher volume levels	Driver is malfunctioning	Using a sine wave oscillator or wide range program at moderate levels, listen to each driver to isolate the problem. Repair or replace as needed.
Low volume for the bass frequencies	Low frequency driver or crossover is	Using an ohmmeter, measure the resistance of the input cable (with the amplifier disconnected). If the meter reads 4-7 ohms, one driver may not be working. Replace
No volume for the bass frequencies	Low frequency driver or crossover is	Using an ohmmeter, measure the resistance of the input cable (with the amplifier disconnected). If the meter does not read 1.5-3 ohms, both drivers may not be
No volume for the bass frequencies	Low frequency driver or crossover is	Using an ohmmeter, measure the resistance of the input cable (with the amplifier disconnected). If the meter does not read 1.5-3 ohms, both drivers may not be
Low or no volume for the mid frequencies	Mid frequency driver or crossover is malfunctioning	While right in front of the loudspeaker, listen at low level to the midrange driver located in the middle of the horn mount. If some sound is heard and it is not distorted, it is probably a crossover problem. If distorted or no sound is heard, the driver may
Low or no volume for the high frequencies	High frequency driver or crossover is malfunctioning	While right in front of the loudspeaker, listen at low level to the high frequency driver located near the top of the horn mouth. If some sound is heard and it is not distorted, it is probably a crossover problem. If distorted or no sound is heard, the driver may
Noises from the loudspeaker (buzzes or rattles)	Grille or hardware is loose	Make sure the front grille screws are firmly tightened; that any external mounting hardware is tightened or secured from vibrating (especially if chains or wires are used
Noises from the loudspeaker (buzzes or rattles)	Driver is malfunctioning	Using a sine wave oscillator or wide range program at moderate levels, listen to each driver to isolate the problem. Repair or replace as needed.

## Warranty and Service

### FIELD SERVICE

Any driver or crossover service required is done from the front of the enclosure by removing the screws around the edge of the grille. For warranty repair, contact Community directly or ask us for the location of your nearest Authorized Service Center.

### WARRANTY INFORMATION

#### **TRANSFERABLE WARRANTY “(LIMITED)” VALID IN THE USA ONLY**

The R SERIES loudspeakers are designed and backed by Community Professional Loudspeakers. For complete warranty statement information within the USA please refer to [www.communitypro.com/warranty](http://www.communitypro.com/warranty). Please call 610-876-3400 or visit the website to locate your nearest Authorized Field Service Station. For Factory Service call 610-876-3400. You must obtain a Return Authorization (R/A) number prior to the return of your product for factory service.

Upon receipt, the service center will determine if the problem is covered under warranty. If covered under this warranty, the product will be repaired or replaced, at Community's option, and returned to the owner freight prepaid. If the problem is not covered under this warranty, the owner will be notified of the problem with an estimate of the repair costs.

#### **WARRANTY INFORMATION AND SERVICE FOR COUNTRIES OUTSIDE THE USA**

To obtain specific warranty information and available service locations for countries other than the United States of America, contact the authorized Community Distributor for your specific country or region.



**Community Professional Loudspeakers**

333 East Fifth Street, Chester, PA 19013-4511 USA

Phone (610) 876-3400 • Fax (610) 874-0190

[www.communitypro.com](http://www.communitypro.com)

© 2016 All Rights Reserved

#104447 6OCT2016