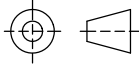


1	2	3	4	5	6	7	8	
DRAWING NUMBER <b>R6400 BACK REMOVAL</b>		THIRD ANGLE PROJECTION		ISS. A	DESCRIPTION INITIAL ISSUE	DRAWN CAJH	DATE 14.6.16	APP'D
USED ON								



A

B

C

D

E

F

A

B

C

D

E

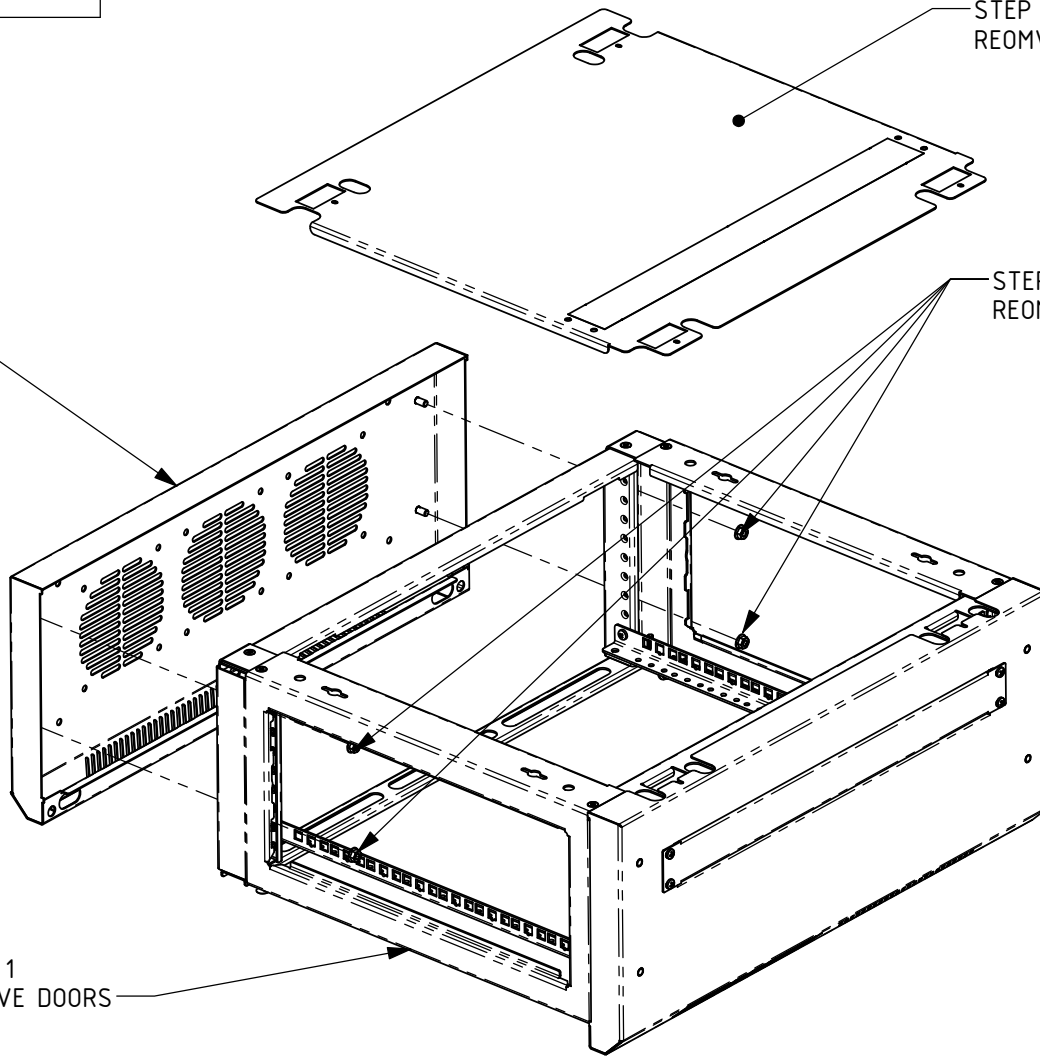
F

STEP 3  
REOMVE TOP

STEP 1  
REMOVE DOORS

STEP 4  
REOMVE BACK

STEP 2  
REOMVE 4 x M6 NUT



MATERIAL

FINISH

TOLERANCES

UNLESS OTHERWISE STATED  
 LINEAR            ANGULAR  
 X.X    ±0.5        X    ±0.5°  
 X.XX   ±0.1       X.X   ±0.1°

ALL DIMENSIONS IN mm  
 SCALE    1:7

CUSTOMER  
WORKS

TITLE

R6400 BACK REMOVAL

**penn ELCOM**

THIS DOCUMENT CONTAINS INFORMATION PROPRIETARY TO PENN ELCOM LTD.  
 AND SHALL NOT BE REPRODUCED NOR TRANSFERRED TO OTHER DOCUMENTS  
 NOR DISCLOSED TO A THIRD PARTY OR USED FOR ANY PURPOSE OTHER THAN FOR  
 WHICH IT IS FURNISHED WITHOUT THE WRITTEN PERMISSION OF PENN ELCOM LTD.

DRAWING NUMBER  
**R6400 BACK REMOVAL**

SHEET  
 No. 1  
 OF 1

A  
4

1

2

3

4

5

6

7

8