

Index \_\_\_\_\_ 2

Safety information \_\_\_\_\_ 2

Content \_\_\_\_\_ 2

Technical \_\_\_\_\_ 3

Specifications \_\_\_\_\_ 3

Installation \_\_\_\_\_ 4

Programming \_\_\_\_\_ 5

Lens replacement \_\_\_\_\_ 6

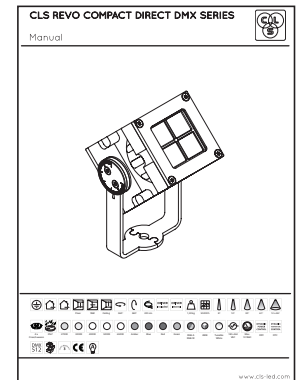
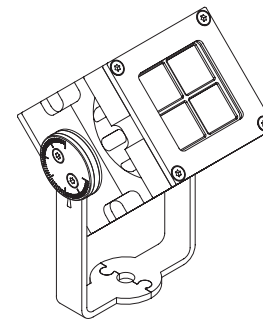
Lens index \_\_\_\_\_ 7

List of symbols \_\_\_\_\_ 8

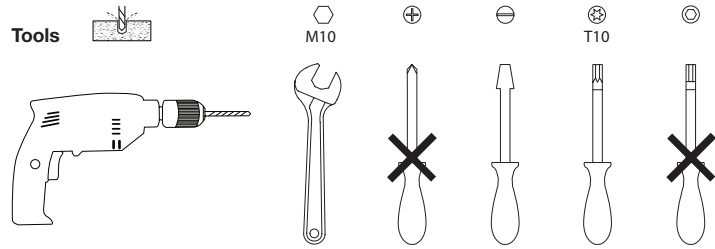
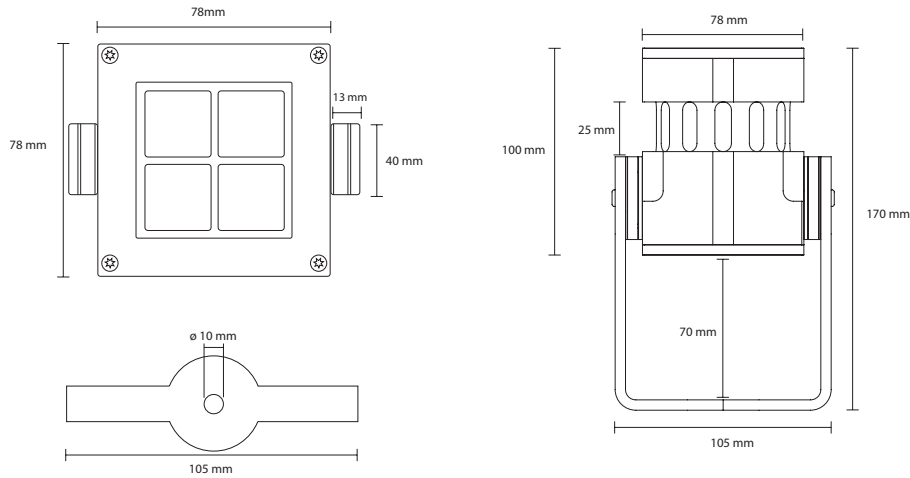
SAFETY INFORMATION

Make sure all connectors are connected properly	Use a source of AC power that complies to local electrical codes	Block access below the work area when maintaining the unit	Don't modify or install genuine parts on this product	Don't install in a flammable or explosive area	Warning! Some surfaces can be hot

CONTENT





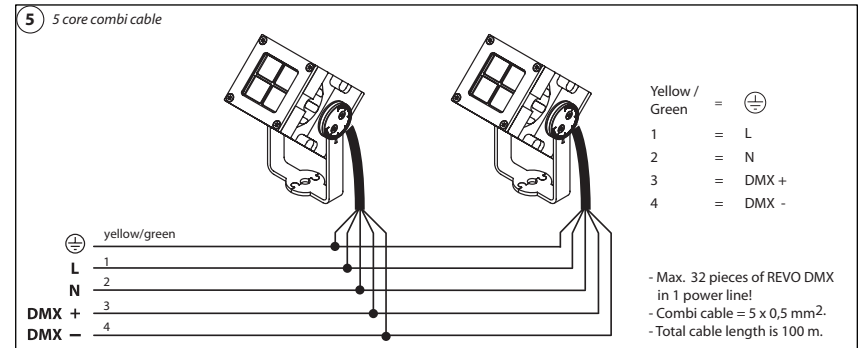
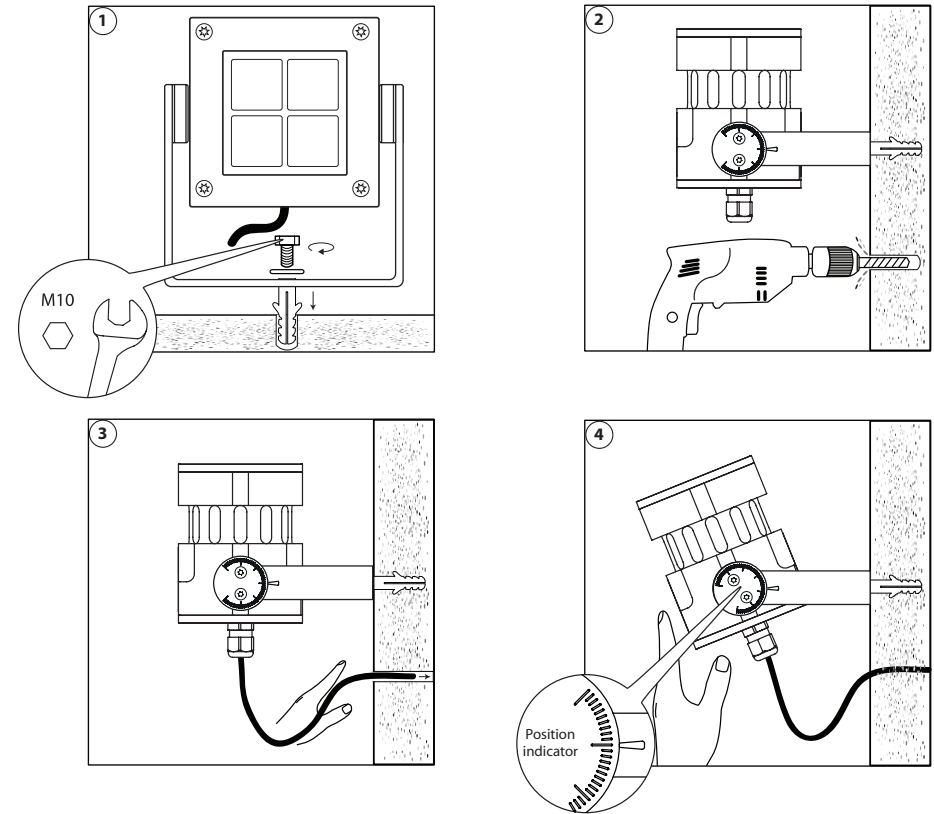



### SPECIFICATIONS

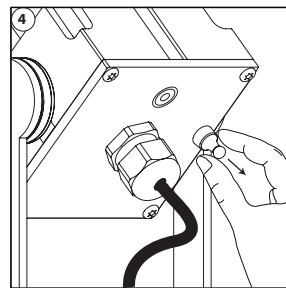
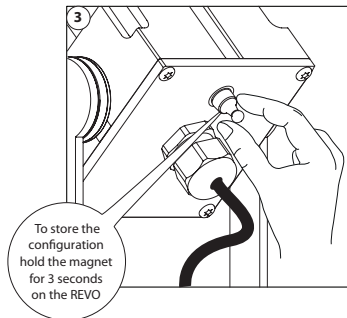
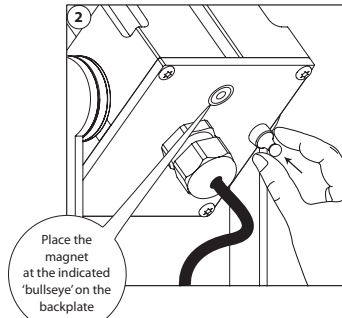
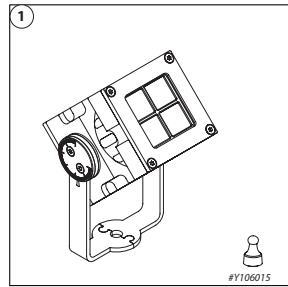
**LED:** 4 x Cree or Luxeon Rebel  
**Available colours:** Extra warm white 2700K, Warm white 3000K, neutral white 4000K and fresh white 5000K cold white 6500K, amber, royal blue and red RGBA, RGBW, AWB & Tunable white  
**Lenses:** 8°, 12°, 30°, 61°, 12x46°  
**Power supply:** 180 ~ 264 VAC  
**Power factor:** > 0,92  
**Power consumption:** Max. 10 Watt  
**Housing:** Anodised aluminum  
**Weight:** 1,3 kg  
**IP value:** IP67  
**Cable length:** 2 meters  
**Measurements:** 78 x 105 x 170 mm (h x w x d)  
**Ambient temperature:** -30° C till +40° C

### ACCESSORIES

110415 CLS REVO lens kit superspot 8° 8 pcs of lenses  
 110425 CLS REVO lens kit spot 12° 8 pcs of lenses  
 110435 CLS REVO lens kit medium flood 30° 8 pcs of lenses  
 110445 CLS REVO lens kit wide flood 61° 8 pcs of lenses  
 110455 CLS REVO lens kit elliptical 12x46° 8 pcs of lenses  
 105069 CLS groundpin black, 20 cm  
 105070 CLS extension rod black, 20 cm  
 110705 CLS REVO Wall bracket  
 Y110790-G REVO Snoot grey  
 Y110790-B REVO Snoot black



# PROGRAMMING



Via DMX the REVO Compact DMX can be configured. After setting the DMX to the desired values just hold the magnet on the REVO's backplate at the 'bullseye'. Hold the magnet for approximately 3 seconds (step 3), when holding the magnet on the REVO it will turn on and when programming has finished the REVO will turn off again. When the light does not turn off after 3 seconds repower and try again.

## Addressing

To configure address (1-255) set data on DMX channel 1:  
 0 = no changes are made.  
 1-255 = address is set to 1-255.

To configure address (256-510) set data on DMX channel 2:  
 0 = no changes are made.  
 1-255 = address is set to 256-510.

## Examples:

Address 132 => set data 132 on DMX channel 1.  
 Address 278 => set data 23 on DMX channel 2.

## Static brightness (Only for the Single Colour versions)

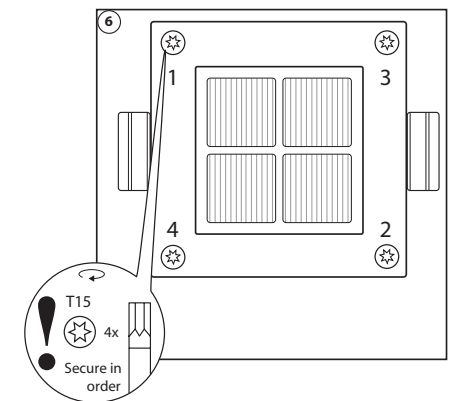
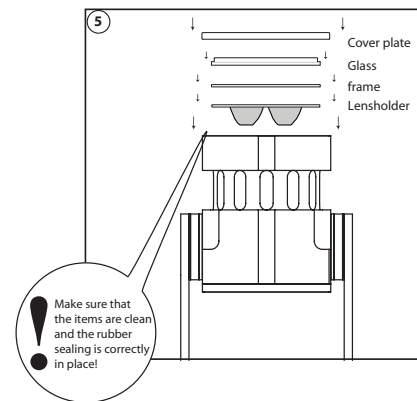
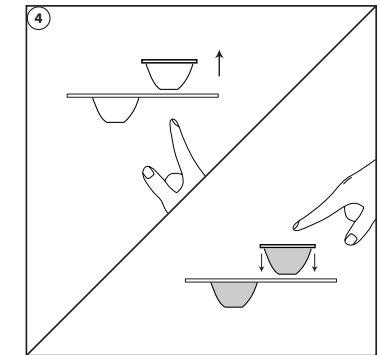
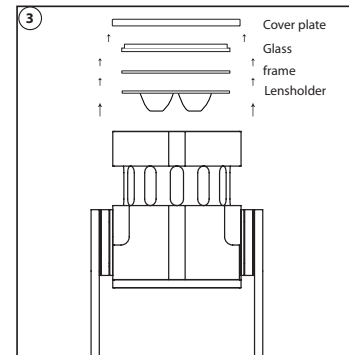
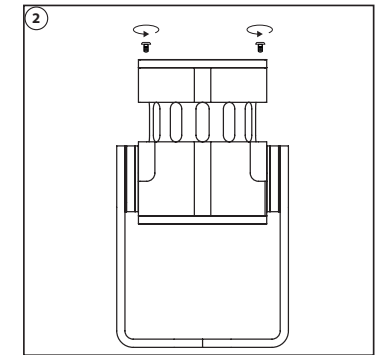
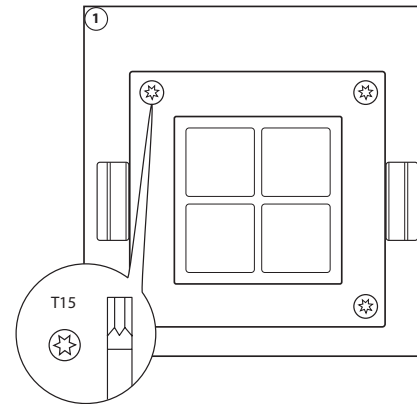
When DMX fails or is not present the programmed brightness will become active.  
 To configure the static function set DMX channel 3 to the desired brightness.  
 0 = no changes are made.  
 1 = function disabled.  
 2-255 = brightness of the fixture.

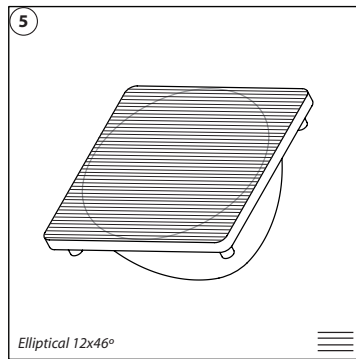
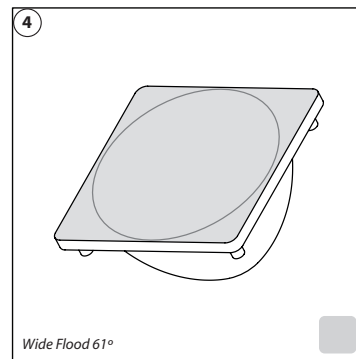
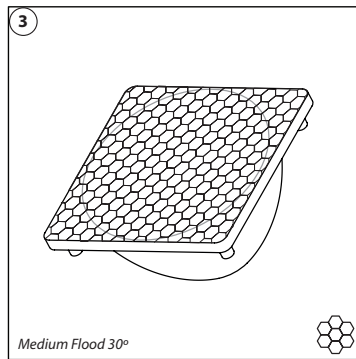
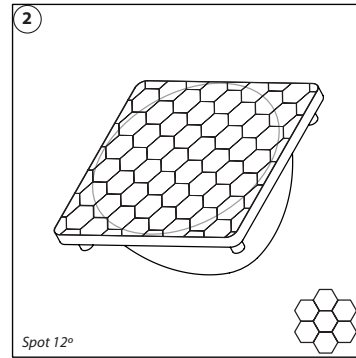
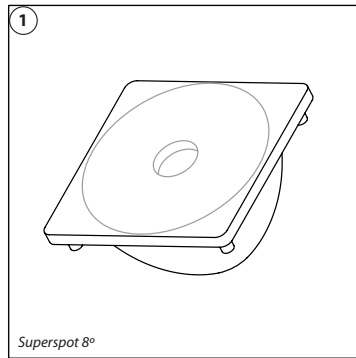
## Soft dim option

When active the REVO DMX will have soft dim curve.  
 To configure the soft dim function set data on DMX channel 4.

0 = no changes are made.  
 <127 = function turned off.  
 >127 = function turned on.

# LENS REPLACEMENT





2016 CLS-LED BV. All rights reserved.  
Information subject to change without notice,  
CLS-LED BV and all affiliated companies  
disclaim liability for injury, damage direct or  
indirect loss, consequential or economic loss  
or any other loss occasioned by the use of,  
inability to use or reliance on the informa-  
tion contained in this manual. No part of this  
manual may be reproduced, in any form or  
by any means, without permission in writing  
from CLS-LED BV. Other legal information  
can be found in our General conditions, found  
on the back of your CLS-LED BV invoice,  
inside the CLS catalogue or on our website  
[www.cls-led.com/General-Terms.pdf](http://www.cls-led.com/General-Terms.pdf)

	<b>Protection class</b> One, two or three		<b>IP value</b> Ingress Protection classifies the degrees of protection provided against the intrusion of the product
	<b>Application area</b> Indoor or outdoor		<b>Colour</b> Available colours; Amber, blue, red or green
	<b>Application area</b> Floor, wall or ceiling		<b>White colour temperature</b> In different Kelvin values; Cold white, neutral white, warm white or extra warm white
	<b>Swivel</b> Fixture is horizontally rotatable, indicated in degrees		<b>Colour changing</b> RGB, RGB-W, RGB-A, AWB or Tunable White
	<b>Swivel</b> Fixture is vertically rotatable, indicated in degrees		<b>Curve</b> Minimal bending curve in centimeters
	<b>Multiple connection</b> Daisychain connectivity		<b>Cutting length</b> Indicated by the cutting marks
	<b>Installation depth</b> In centimeters		<b>LED pitch</b> Pitch between the LEDs in millimeters
	<b>Installation size</b> In centimeters		<b>Power supply</b> In VDC, VAC or milliAmpere
	<b>Cable length</b> Maximum cable attached to the fixture in centimeters		<b>Power consumption</b> In VA or Watt
	<b>Driver</b> Inclusive or exclusive Internal or external		<b>Dimmable</b> 1-10 Volt, Phase, individual, DMX dimmable or DALI
	<b>Weight</b> In grams/kilograms		<b>Magno dimming</b> Accurate dimming from 100 - 1% by using a magnet
	<b>Pressure</b> Maximum pressure on the fixture in kg/cm <sup>2</sup>		<b>Dynamic Control</b> Dynamic Power Control or Dynamic Temperature Control
	<b>Lifespan</b> Of the light source in hours		<b>DMX input</b> Fixture works on DMX512 protocol
	<b>Lenses</b> Available lenses, indicated in degrees		<b>Combined product</b> Compose your own fixture
	<b>LEDs</b> Kind of LED used in the fixture		<b>Warranty</b> 3 or 5 years warranty on the product
	<b>Plug &amp; play</b> Easy connection using the SmartConnect system		<b>Conformité Européenne</b> CE marking for free marketability of industrial goods within the EU
			<b>Energy label</b>