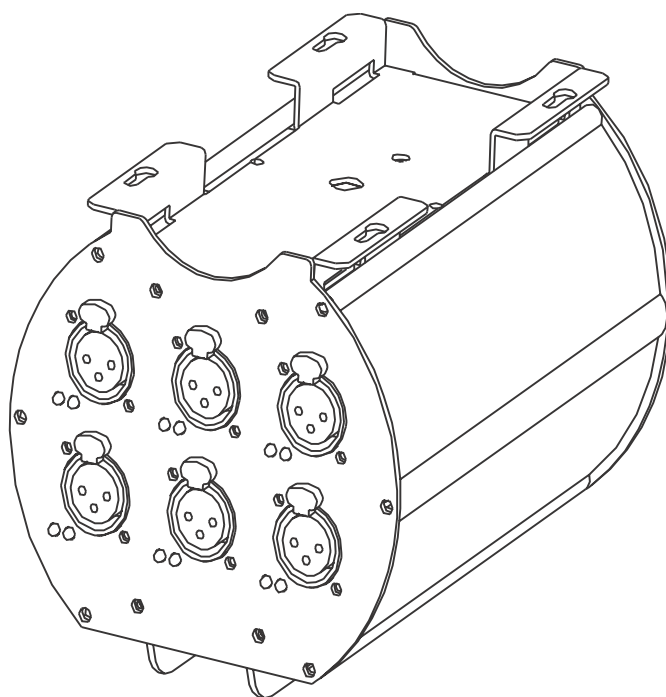


# SCENE SPLIT **6** TRUSS

1 Input / 6 Outputs  
DMX Distributor

---



## USER MANUAL MANUALE UTENTE

*Please read this manual carefully and proper take care of this manual.  
Leggete questo manuale e conservatelo per future consultazioni!*

## IMPORTANT SAFETY SYMBOLS



The symbol is used to indicate that some hazardous live terminals are involved within this apparatus, even under the normal operating conditions, which may be sufficient to constitute the risk of electric shock or death.



The symbol is used in the service documentation to indicate that specific component shall be replaced only by the component specified in that documentation for safety reasons.



Protective grounding terminal



Alternating current/voltage



Hazardous live terminal

**ON**

Denotes the apparatus is turned on

**OFF**

Denotes the apparatus is turned off

**WARNING:**

Describes precautions that should be observed to prevent the danger of injury or death to the operator.

**CAUTION:**

Describes precautions that should be observed to prevent danger of the apparatus.

## TAKING CARE OF YOUR PRODUCT

- ▶ Read these instructions
- ▶ Keep these instructions
- ▶ Heed all warning
- ▶ Follow all instructions

### WATER / MOISTURE

The apparatus should be protected from moisture and rain and can not be used near water; for example near a bathtub, a kitchen sink, a swimming pool, etc.

### HEAT

The apparatus should be located away from heat sources such as radiators, stoves or other appliances that produce heat.

### VENTILATION

Do not block areas of ventilation opening. Failure to do could result in fire. Always

install according to the manufacturer's instructions.

### **OBJECT AND LIQUID ENTRY**

Objects do not fall into and liquids are not spilled into the inside of the apparatus for safety.

### **POWER CORD AND PLUG**

Protect power cord from being walked on or pinched particularly at plugs, convenience receptacles, and the point where they exit from the apparatus. Do not defeat the safety purpose of the polarized or grounding-type plug. A polarized plug has two poles; a grounding-type plug has two poles and a third grounding terminal. The third prong is provided for your safety. If the provided plug does not fit into your outlet, refer to an electrician for replacement.

### **POWER SUPPLY**

In case of external power supply, the apparatus should be connected to the power supply only of the type as marked on the apparatus or described in the manual. Failure to do could result in damage to the product and possibly the user. Unplug this apparatus during lightning storms or when unused for long periods of time.

### **FUSE**

To prevent the risk of fire and damaging the unit, please use only of the recommended fuse type as described in the manual. Before replacing the fuse, make sure the unit turned off and disconnected from the AC outlet.

### **ELECTRICAL CONNECTION**

Always disconnect from the power source before servicing or replacing fuse and be sure to replace with same fuse size and type. Cut off power before moving, repairing and cleaning the unit. Improper electrical wiring may invalidate the product warranty.

To avoid electric shock, all fixtures must be connected to circuits with a suitable ground. Do not power on and power off the fixture in a short time.

### **DMX CONNECTION**

When use DMX controller, please make sure that there is no interference sources (e.g. intercom, high frequency radio waves and radiation source).

### **CLEANING**

Clean only with a dry cloth. Do not use any solvents such as benzene or alcohol.

### **SERVICING**

Do not implement any servicing other than those means described in the manual. Refer all servicing to qualified service personnel only. Only use accessories/attachments or parts recommended by the manufacturer.

## I. INTRODUCTION

Thank you for purchasing our SCENESPLIT 6 TRUSS. You now own a professional 1IN - 6OUTs DMX distributor with following features:

- ▶ Separate high voltage protection on each Outputs
- ▶ High quality power supply stage for maximum stability at wider range voltage input
- ▶ High quality Fairchild® optical coupler for maximum isolation
- ▶ Golden plated XLR Connector for improved conductivity

This user manual is made to provide both an overview of controls, as well as information on how to use them. In order to help you to understand the connections between the various controls, we have gathered in groups according to their functions.

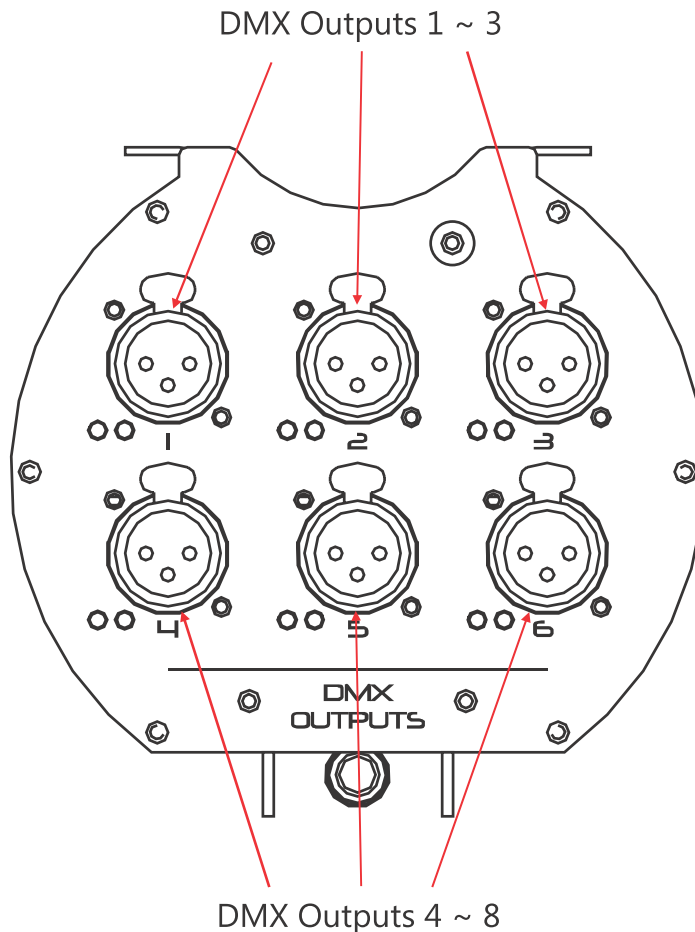
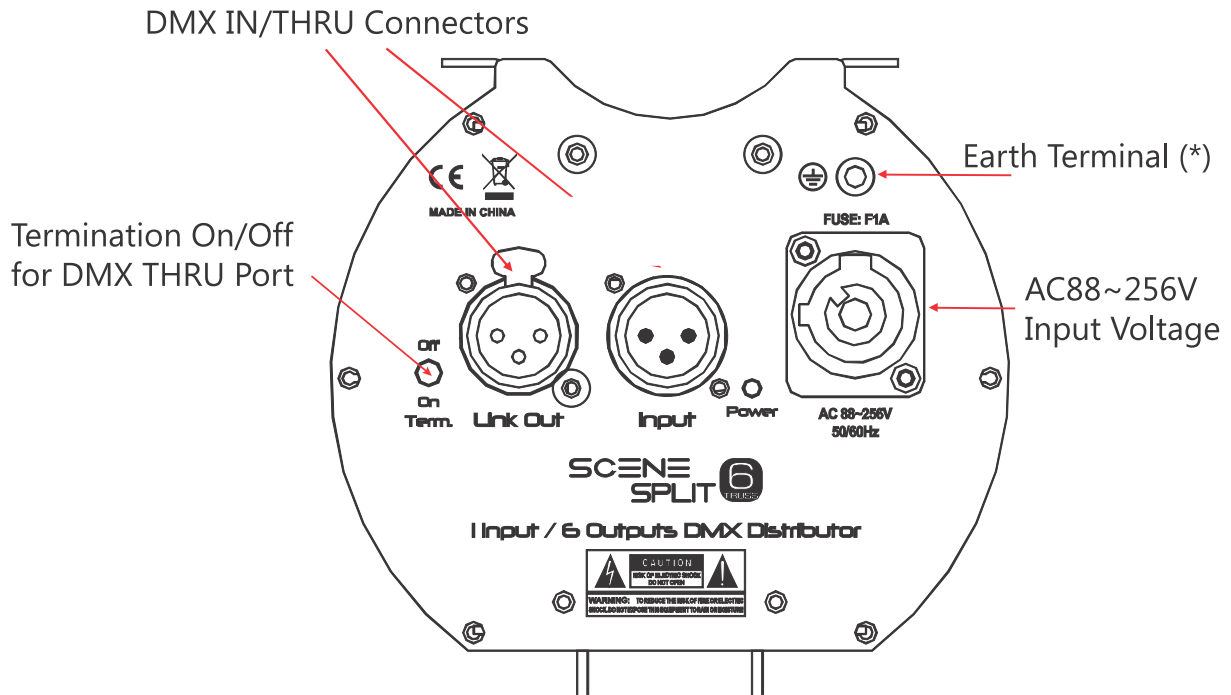
### I.I. Unpacking

Your SCENESPLIT 6 TRUSS splitter was carefully packed to ensure safe transport. Despite this, we recommend you to carefully examine the package and its contents for any signs of physical damage, which can occur during transport. It is composed by following parts:

- ▶ 1x SCENESPLIT 6 TRUSS unit
- ▶ 1x Power cable
- ▶ This User Manual

 **ATTENTION: Packaging bag is not a toy! Keep out of reach of children!!! Keep in a safe place the original packaging material for future use.**

## 2. FRONT & REAR PANEL



**NOTE (\*):** It is highly recommended to connect this terminal to main electrical earth for security reasons. Always pay attention to safety!

### 3. MAINS CONNECTIONS

Connect the device to the mains with the power-plug. The wire correspondence is as follow:

Cable	Pin	International
Brown	Live	L
Blue	Neutral	N
Yellow/Green	Earth	⊕

**👉 The earth must be connected! Pay attention to the safety! Before taking into operation for the first time, the installation has to be approved by an expert.**

### 4. DMX CONNECTION

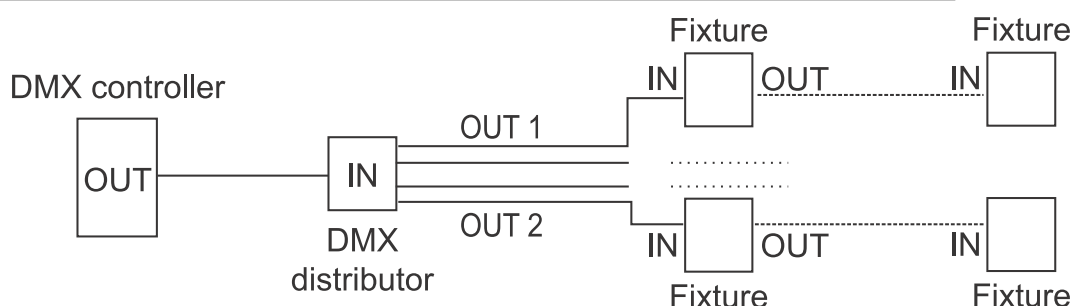
There are 512 channels in a DMX-512 connection. Channels may be assigned in any manner. A fixture capable of receiving DMX 512 will require one or a number of sequential channels. The user must assign a starting address on the fixture that indicates the first channel reserved in the controller. There are many different types of DMX controllable fixtures and they all may vary in the total number of channels required.

Choosing a start address should be planned in advance. Channels should never overlap. If they do, this will result in erratic operation of the fixtures whose starting address is set incorrectly. You can however, control multiple fixtures of the same type using the same starting address as long as the intended result is that of unison movement or operation. In other words, the fixtures will be slaved together and all respond exactly the same.

#### 4.1. Building a Serial DMX Chain

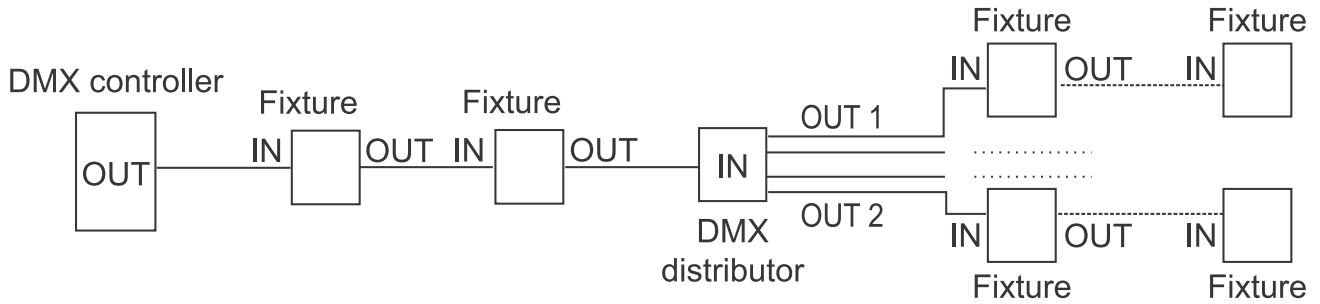
DMX fixtures are designed to receive data through a serial Daisy Chain. A Daisy Chain connection is where the DATA OUT of one fixture connects to the DATA IN of the next fixture. The order in which the fixtures are connected is not important and has no effect on how a controller communicates to each fixture. Use an order that provides for the easiest and most direct cabling.

#### CONNECT SPLITTER TO DMX CONSOLE DIRECTLY



**NOTE: 32 lighting fixtures maximum on each output**

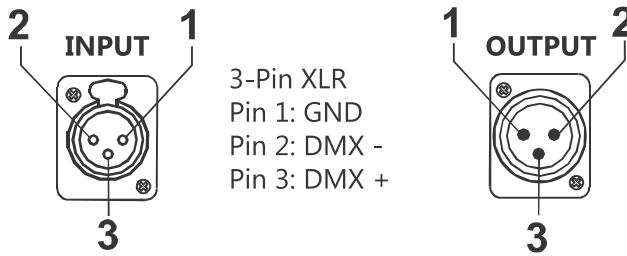
**CONNECT SPLITTER TO LIGHTING FIXTURES**



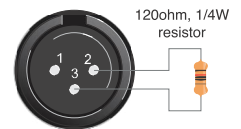
**NOTE: Fixtures cannot exceed 31 units before DMX distributor and 32 units on one output channel.**

Connect fixtures using shielded 2-conductor twisted pair cable with 3-pin XLR male to female connectors. The shield connection is pin 1, while pin 2 is Data Negative (S-), and pin 3 is Data positive (S+).

**DMX use of 3-Pin XLR Connectors**



**DMX Terminator**



**CAUTION: Wires must not come into contact with each other; otherwise the fixtures will not work at all, or will not work properly.**

**4.2. DMX Terminator**

DMX is a resilient communication protocol, however errors still occasionally occur. In order to prevent electrical noise from disturbing and corrupting the DMX control signals, a good habit is to connect DMX output of last fixture in the chain to a DMX terminator, especially over long signal cable runs.

The DMX terminator is simply an XLR connector with a 120Ω (ohm), 1/4 Watt resistor connected across Signal (-) and Signal (+), respectively, pins 2 and 3, which is then plugged into the output socket on last projector in the chain. The connections are illustrated below.

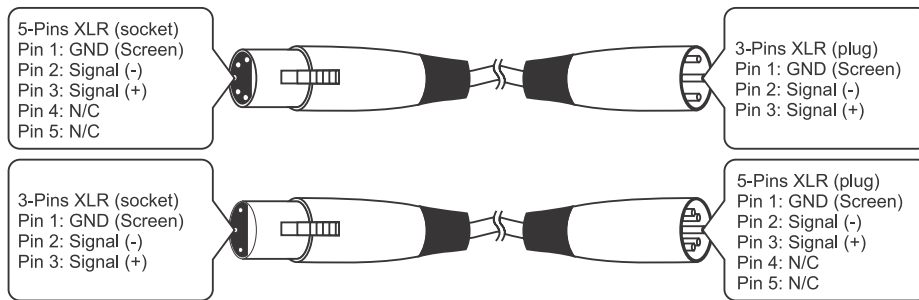
**4.3.3-Pin vs 5-Pin DMX cables**

DMX connection protocols used by controllers and fixtures manufacturers are not stan-

SCENESPLIT 6 TRUSS USER MANUAL

standardized around the world. However, two are the most common standards: 5-Pin XLR and 3-Pin XLR system. If you wish to connect SCENESPLIT 6 TRUSS to a 5-Pin XLR input fixture, you need to use an adapter-cable or make it by yourself.

Following the wiring correspondence between 3-Pin and 5-Pin plug and socket standards



## 5. SPECIFICATIONS

Power Input	AC88 ~ 256Vac 50/60Hz.
Fuse	F1A - 250V
Protocols	DMX-512
Data Input/Outputs	3-pin XLR male (In) female (out) sockets
Data Pin Configuration	Pin 1 shield, Pin 2 (-), Pin 3 (+)
Distributor Size (WxHxD):	186 x 124 x 128 mm
Net Weight	0.85 kg
Packing Dimension (WxHxD):	290 x 190 x 195 mm
Packing Gross Weight:	1.44 kg