



# SSY25KIT

## Mounting Bracket Kit for W2-112/312

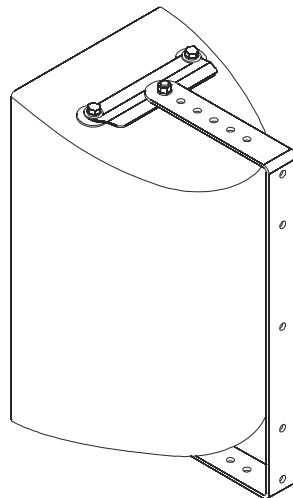
### Mounting bracket kit for Community loudspeaker models W2-112, W2-312

The SSY25KIT is designed to mount a W2-112, W2-312 loudspeaker in either a vertical or horizontal orientation, providing precise acoustic focusing.

The SSY25KIT consists of a yoke mounting bracket and two adapter plates, constructed entirely of brushed stainless steel.

The yoke bracket is fitted with a series of mounting holes that allow the installer to vary the distance from the enclosure to the mounting surface in order to suit the requirements of the installation. It is engineered to provide a high margin of safety when supporting a W2-112 or W2-312 loudspeaker.

All hardware required to attach the SSY25KIT to the loudspeaker enclosure is included in the kit. No additional hardware is provided to attach the yoke bracket to the mounting surface. Such hardware must be supplied by the installer and should be sized and rated for the weight load of the enclosure, keeping in mind that additional torque load may occur when focusing the loudspeaker within the yoke assembly. The installer is solely responsible for determining if the mounting surface is capable of safely supporting the weight load of the loudspeaker and bracket, and for selecting appropriate hardware to install it.



### SSY25KIT Parts List

Yoke Mounting Bracket (1)

Adapter Plate (2)

½" Hex Bolt (2)

½-13 x 1.25" Hex Bolt (2)

½" Lock Washer (2)

½" Flat Washer (2)

½" Hex Nut (2)

*The installer must supply all other hardware for the installation.*



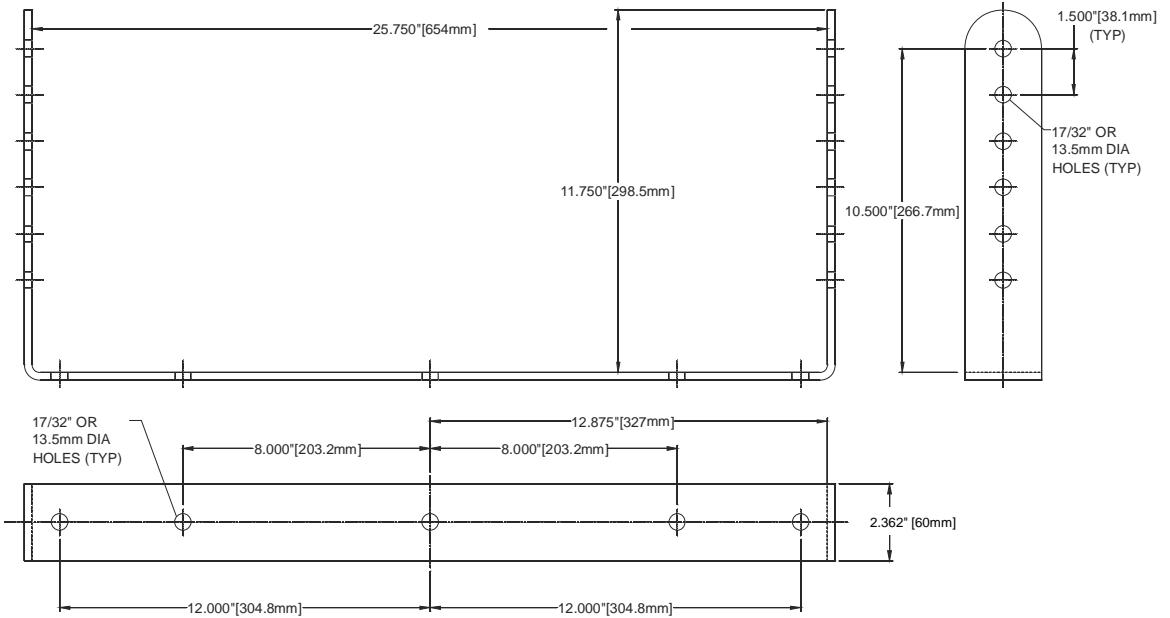
**Danger:** All rigging fittings must be fitted with either optional mounting hardware or they must remain sealed with the fasteners that come installed in the enclosure. These fasteners attach to internal steel rigging brackets, thereby providing structural integrity. Without these fasteners, the structural integrity of the enclosure would rely solely on the enclosure material and bonded joints, which over time could deteriorate. Therefore, ***all rigging fittings must have fasteners in place*** so that the enclosure may be safely 'flown' or suspended overhead.

Additionally, if the rigging fittings are not sealed, air leaks will occur in the enclosure that will compromise the low frequency performance with distortion and reduced output.

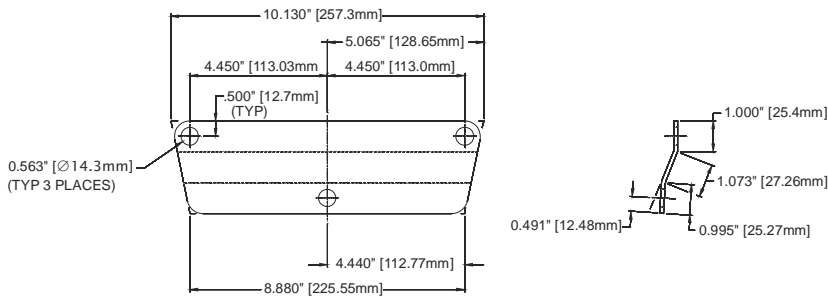


**Warning:** W SERIES loudspeaker rigging fittings are rated at a Working Load Limit of 150 lbs (68 kg) with a 15:1 safety margin. No single rigging fitting should ever be subjected to a load that is greater than 150 lbs. Failure to heed this warning could result in injury or death!

## SSY25KIT Dimensions

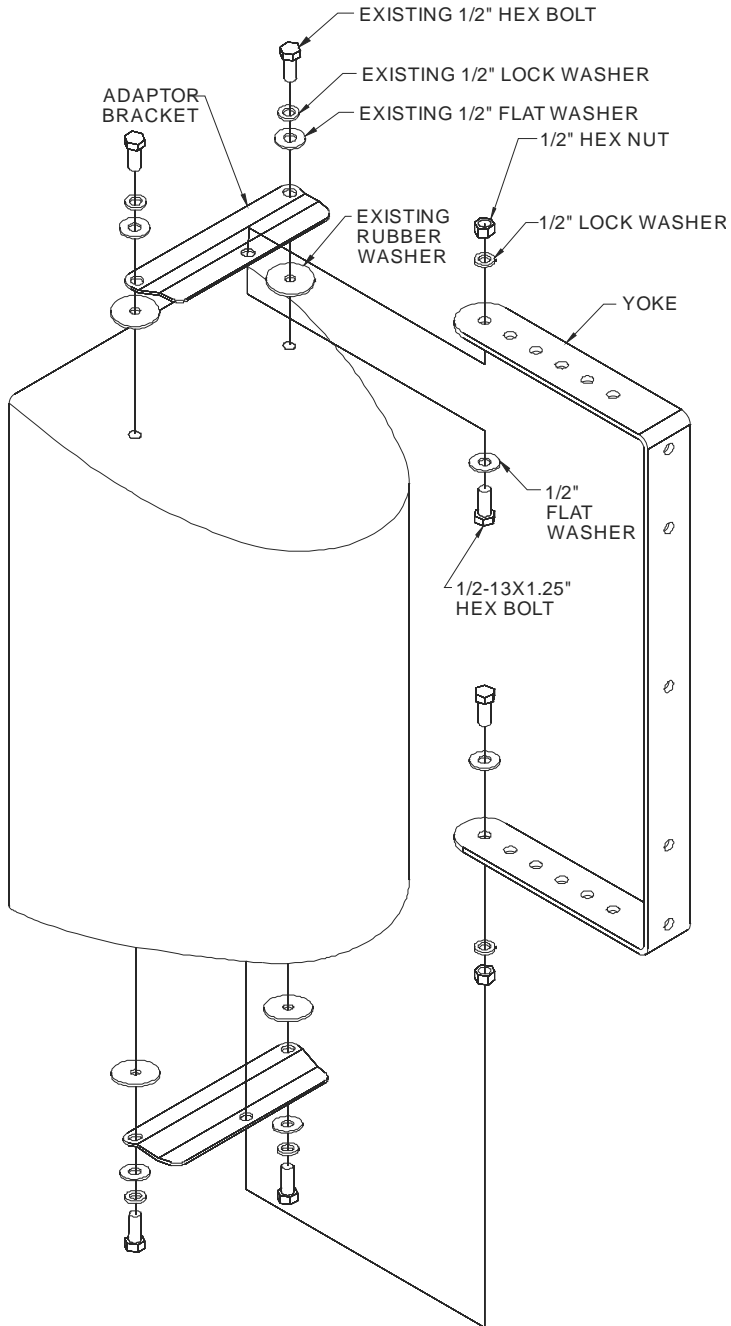


## Yoke



## Adapter Plate

# SSY25KIT Assembly



## SSY25KIT Assembly Instructions

1. First, remove the two ½" hex head bolts located towards the front of the enclosure on both of the two end panels (four total).
2. Next, attach one adapter plate to each end panel of the enclosure using the two ½-13 hex head bolts fitted with lock washers and flat washers. Make sure to install a large rubber washer between the adapter plate and the enclosure. Tighten these bolts to 15 foot-lbs using a torque wrench. Do not overtighten!
3. Now, attach the yoke to the mounting surface. No hardware is provided for this purpose. Such hardware must be supplied by the installer, and should be rated for the weight load of the enclosure. The installer is solely responsible for determining if the hardware used to mount the yoke is adequately sized and rated, and if the structure it is attached to is capable of safely supporting the weight load of the enclosure and bracket.
4. After attaching the yoke to the mounting surface, next attach the yoke to the two adapter plates on the loudspeaker enclosure using the two ½"-13 x 1.25" hex head bolts provided. Fit each hex head bolt with a flat washer and lock washer as shown in the exploded diagram (see previous page). Tighten the fasteners until snug. After focusing the loudspeaker in the desired position, the bolts should be tightened to a torque of 12 to 15 foot-lbs, using a torque wrench. Do not overtighten!

Note that a series of holes are provided in the yoke bracket, allowing the enclosure to be positioned at varying distances from the mounting surface. The closer the yoke is to the rear of the enclosure, the neater the installation will look; the farther away the rear of the enclosure is from the yoke, the greater the available range of motion will be.



**Caution:** Installation of loudspeakers should only be performed by trained and qualified personnel. It is strongly recommended that a licensed and certified professional structural engineer approve the mounting design. Severe injury and/or loss of life may occur if this product is improperly installed.



Community Professional Loudspeakers, 333 East Fifth Street, Chester, PA 19013 USA  
Phone (610) 876-3400 | Fax (610) 874-0190 | [www.communitypro.com](http://www.communitypro.com)  
2016 All Rights Reserved