

W2-Y33 and SSY33KIT

WET Series II
33-Inch Yoke Mounting Kits



*For W2-122, W2-125, W2-215, W2-315
and W2-322 Loudspeakers*

Instruction Guide



IMPORTANT SAFETY INFORMATION

Always follow these basic safety precautions when installing and using Community Model **W2-Y33** and **SSY33KIT** Yoke Mounting Kits:

1. Read these instructions.
2. Keep these instructions.
3. Heed all warnings.
4. Wear safety eyewear.
5. Follow all instructions, particularly those pertaining to mounting.
6. Only use accessories that are specified and approved by the manufacturer.
7. As a backup to the main mount, we highly recommend using an additional safety cable that can independently support the loudspeaker.
8. Inspect all components regularly, as required by local conditions and regulations.

APPROVED USAGE

The **W2-Y33** and **SSY33KIT** yoke mounting kits must only be used with **Community Loudspeakers** and only the following model loudspeakers: **W2-122, W2-125, W2-215, W2-315 and W2-322**



The **W2-Y33** and **SSY33KIT** Yoke Mounting Kits are suitable for indoor and outdoor use in non-corrosive atmosphere applications.



CAUTION: Installation of loudspeakers should be performed only by trained and qualified personnel. It is strongly recommended that a licensed and certified professional structural engineer approve the mounting design.

High Wind Load Usage

The “working load limit” and “safety factor” ratings for the **W2-Y33** and **SSY33KIT** are provided for static (unchanging) vertical (downward) loads only. These ratings do not apply to forces in any direction other than vertical (downward) and they do not apply to dynamic (rapidly changing) loads.

Storms or other high wind conditions can produce high dynamic (rapidly changing) loads on loudspeakers and brackets suspended outdoors. These wind-caused loads may be in any direction, not just in the vertical (downward) direction. Thus, for installations in areas that may experience high winds, the “Working Load Limit” and “Safety Factor” for the **W2-Y33** and **SSY33KIT** must be derated appropriately. To calculate an appropriately derated Working Load Limit and Safety Factor, Community recommends the services of a licensed structural engineer familiar with wind conditions at the installation site. Community can provide EPA (effective projected area) and other product information to aid the structural engineer in making these calculations.

ABOUT THIS MANUAL: Due to ongoing technical advances, changes or modifications may have occurred that are not covered in this publication. The latest version of this manual and the most recent product information published by Community is always available at <http://www.communitypro.com>.

UNPACK and INSPECT

INCLUDED PART	QTY
ADHESIVE SHIM GASKET	6
YOKE SHIM	2
MOUNTING YOKE	1
½-INCH STAINLESS STEEL FLAT WASHER	6
½-INCH STAINLESS STEEL LOCK WASHER	6
1/2-13X2.5 STAINLESS STEEL BOLTS	6
ALCOHOL WIPES	2

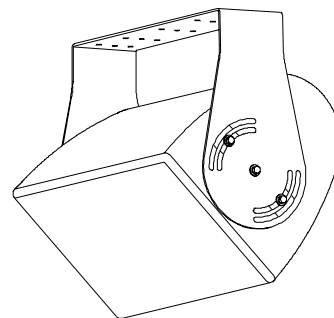
The installer must supply all other tools and hardware for the installation.

WAIVER OF LIABILITY

Whenever Community Light and Sound, Inc. (CLS), dba Community Professional Loudspeakers is requested to provide advice or material regarding the design or installation of its equipment such advice or material is intended and provided for information purposes only. The advice or material is only intended to familiarize the user with various options for design, coverage and installation. User expressly agrees that CLS shall not be liable for any damages, whether in tort, contract, strict liability or otherwise consequential, incidental or otherwise to person or property as a result, directly or indirectly, of the use of any advice or material. The user of any advice or material provided by CLS assumes all risk and liability for the use thereof. Without limitation to the above, CLS does not accept liability or responsibility for the performance of any manufacturer, design, method, use, material or technique employed by the acoustic designer and/or installation company. All advice, information or material is subject to field variations and environmental conditions. All advice, information, or material given is offered on the assumption that common or standard practices for installation used in the construction trades is applied to all phases of the user's project. Actual assembly or configuration must be performed only by persons with knowledge of mechanical trades and rigging, where applicable. Any installation method must be certified by a Professional Engineer licensed in the state in which assembly or configuration is located.

OVERVIEW

The **W2-Y33** and **SSY33KIT** are optional 33-inch long yoke mounting bracket kits designed to mount WET Series II loudspeaker models **W2-122**, **W2-125**, **W2-215**, **W2-315** and **W2-322**. The mounting yoke offers 15 mounting points on the yoke spine allowing for varied installation options, as well as limitless aiming increment options through the use of variable adjustment slots on the yoke arm that also provide six (6) locking points to secure the aiming angle.



The **W2-Y33** yoke is manufactured of dual-layer powder coated steel and is available in either black or white finishes to match the color of the loudspeaker enclosure. It is suitable for use in indoor and outdoor non-corrosive atmosphere applications. A stainless steel version of the yoke (part no. **SSY33KIT**) can be special ordered for installation in extreme weather conditions such as cruise ships and marine applications. These brackets are engineered to provide a high margin of safety when supporting compatible WET Series II loudspeakers.

YOKE MODEL NO.	DESCRIPTION
W2-Y33B	Plain steel yoke mounting kit for W2-122, W2-125, W2-215, W2-315 and W2-322 loudspeakers, black finish
W2-Y33W	Plain steel yoke mounting kit for W2-122, W2-125, W2-215, W2-315 and W2-322 loudspeakers, white finish
SSY33KIT	Stainless steel yoke mounting kit for W2-122, W2-125, W2-215, W2-315 and W2-322 loudspeakers, black finish
SSY33KITWHT	Stainless steel yoke mounting kit for W2-122, W2-125, W2-215, W2-315 and W2-322 loudspeakers, white finish



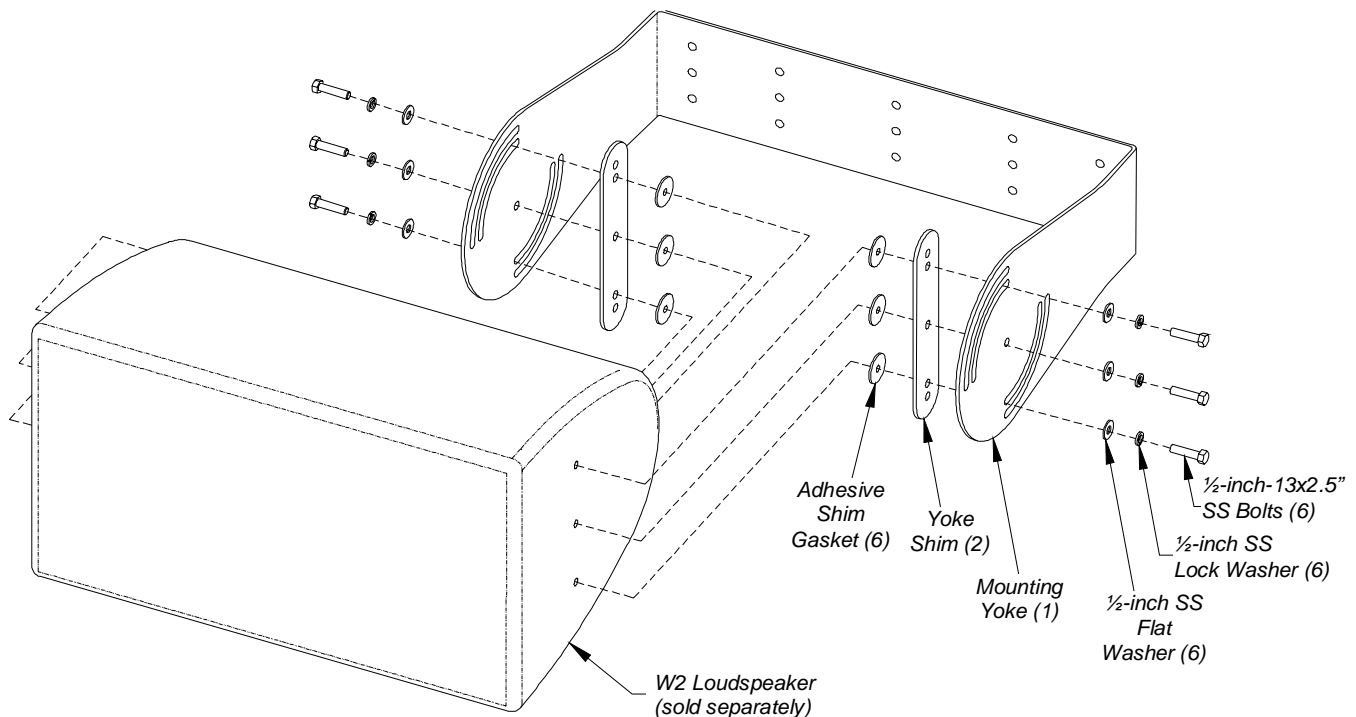
Note that the U-shaped yoke is NOT designed or intended to mount to a single point (such as a cantilever arm attached to a pole). The yoke is intended to be installed so that a substantial portion of the surface area of the yoke's base or rear panel (i.e. bottom of the U-shape) is fastened to a rigid, flat surface using multiple secure fasteners. The yoke bracket is provided with the hardware required to attach it to the loudspeaker enclosure. No additional hardware is provided to attach the yoke bracket to the mounting surface. Such hardware must be supplied by the installer and should be sized and rated for the weight load of the loudspeaker and yoke. The installer is solely responsible for determining if the mounting surface is capable of safely supporting the weight load of the loudspeaker, and for selecting appropriate hardware to install it.

ASSEMBLY INSTRUCTIONS

Read instructions before assembly.

1. Before installing the loudspeaker, the **Mounting Yoke** should first be attached to the mounting surface, taking note that the orientation of the slots on the yoke arm will allow for the desired aiming direction when the loudspeaker is installed. No hardware is provided for attaching the yoke to the mounting surface; such hardware must be supplied by the installer, and should be rated for the weight load of the enclosure and yoke. The installer is solely responsible for determining if the hardware used to mount the yoke is adequately sized and rated, and if the structure it is attached to is capable of safely supporting the weight load of the enclosure.
2. Remove and set aside the hardware provided with the loudspeaker; such hardware will not be needed. Degrease the surface around the cabinet's mounting points using the included rubbing alcohol wipes. Attach three (3) **Adhesive Shim Gaskets** to each **Yoke Shim** by removing one side of the release paper on the Gaskets. Refer to [Figure 2](#) for the correct locations on the **Yoke Shim**, depending on which loudspeaker cabinet the yoke is being used.
3. Remove the second side of the release paper on the Gaskets, and using an awl, centering tool or comparable tool, align the Gasket/Shim assembly to the loudspeaker cabinet, and press into place, ensuring the holes align. The Gaskets should hold the Yoke Shim in place on the loudspeaker cabinet.
4. Next, move the loudspeaker into place in between the arms of the **Mounting Yoke**. Align the center mounting points using the included hardware as shown in [Figure 1](#). Do not tighten the center hardware completely; leave some play for rotation. Repeat this process for the four remaining mounting points by installing the hardware through the adjustment slots and thread it far enough to still allow for rotation. (**NOTE:** Do not use the hardware included with the loudspeaker to mount the yoke; use the hardware provided with this mounting yoke kit only!)
5. Adjust the aiming angle of the loudspeaker to the final desired position, and then secure all six (6) mounting bolts in place.

Figure 1: Yoke Assembly Diagram





WARNING! Be careful not to over or under tighten fasteners. Sufficient torque must be applied to ensure a secure assembly. Over tightening can lead to damaged fasteners thus weakening the component(s). Either scenario can lead to risk of assembly separation leading to injury, death, or property damage.

Figure 2: Yoke Shim Preparation

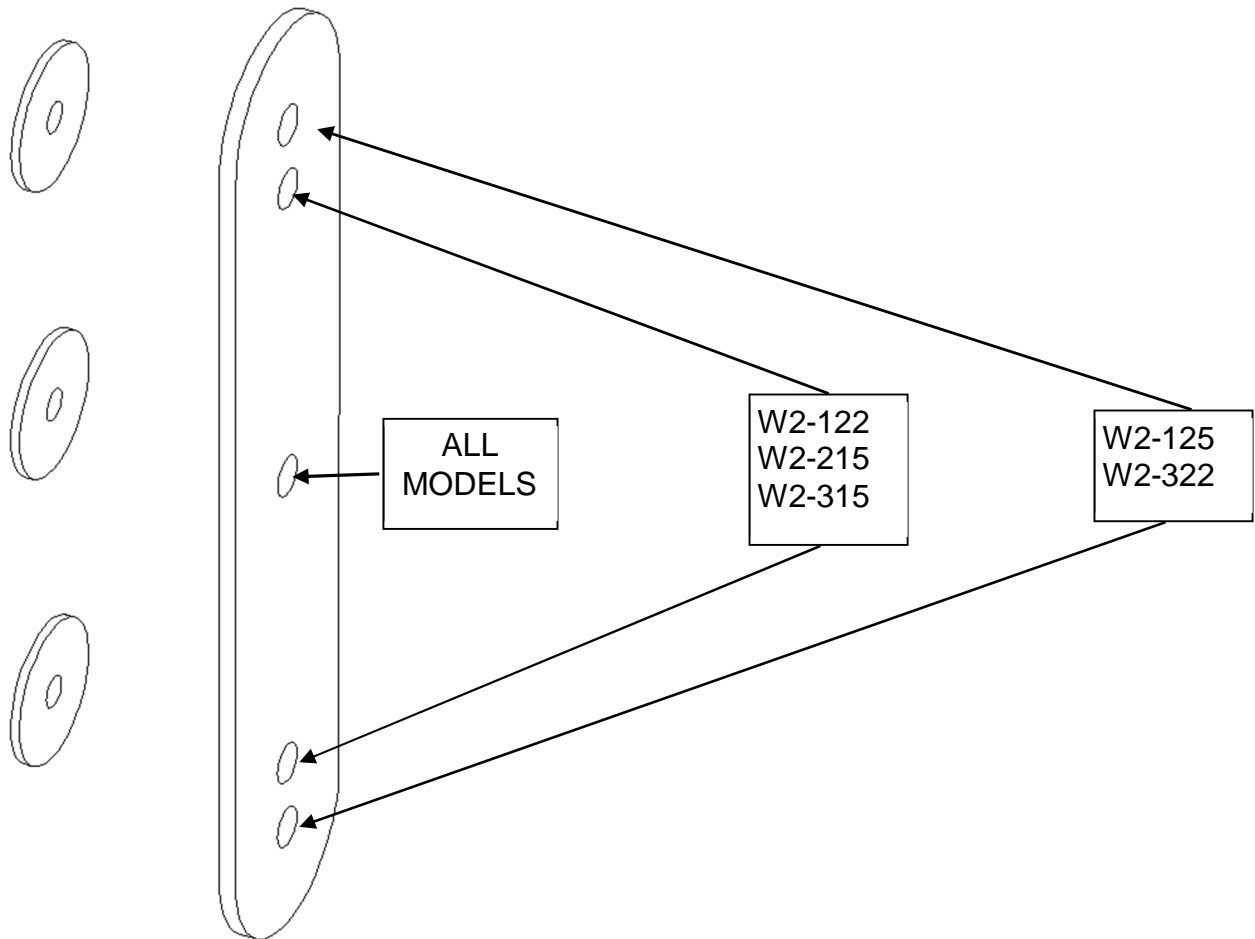
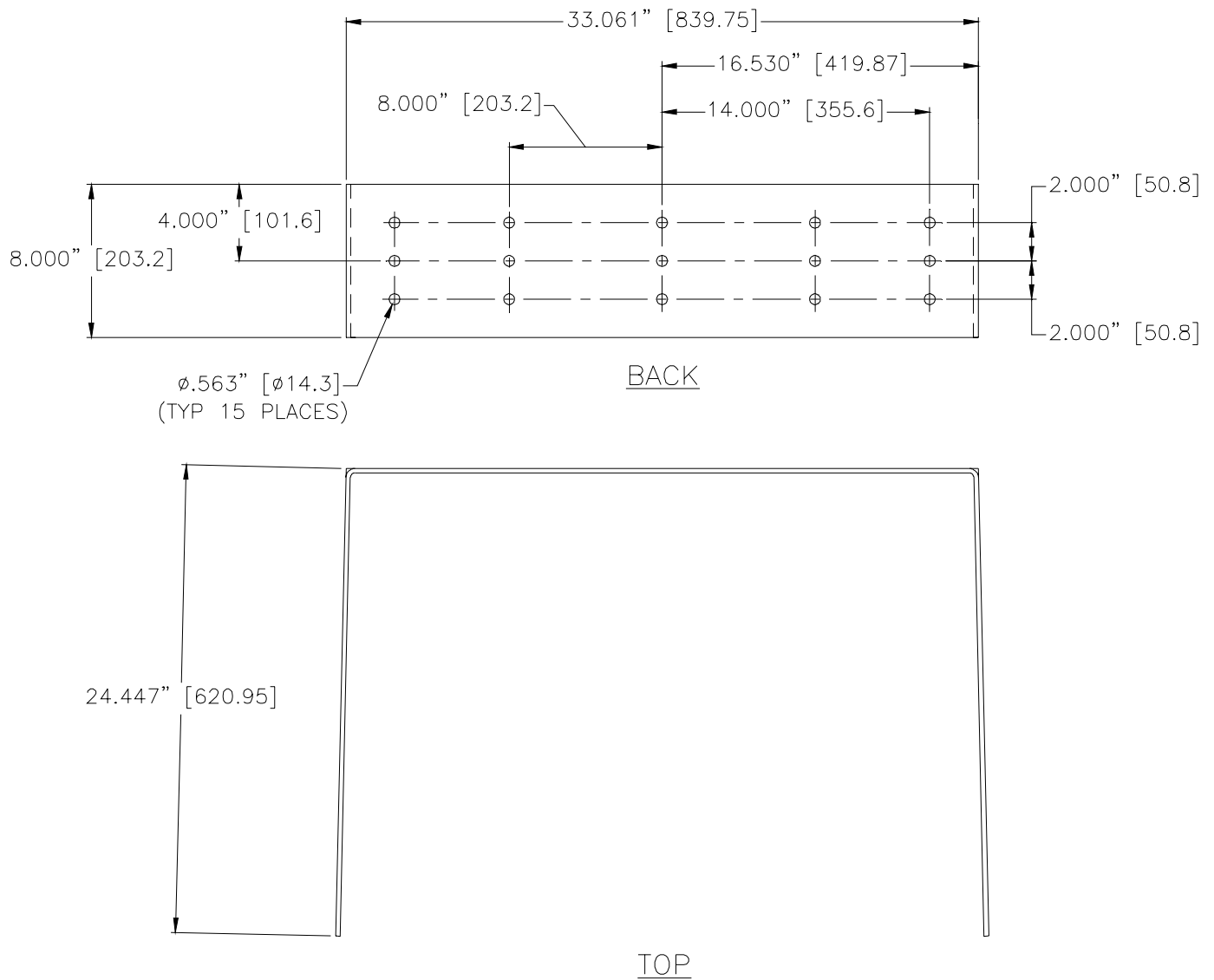


Figure 3: Yoke Dimensional Diagram



Installation of loudspeakers should be performed only by trained and qualified personnel. It is strongly recommended that a licensed professional structural engineer approve the mounting design.



Community Professional Loudspeakers
333 East Fifth Street, Chester, PA 19013-4511 USA
Tel: 1-(610) 876-3400 | Fax: 1-(610) 874-0190
www.communitypro.com

© 2012 All Rights Reserved
25SEP2012