

SUBWOOFER SERIES

User Manual



Systems:

Sub 12	Sub 12A
Sub 15	Sub 15A
Sub 18	Sub 18A
Sub 28	Sub 28A
Sub 12i	
Sub 15i	
Sub 18i	
Sub C15	
Sub H25	
Sub H28	

Contents

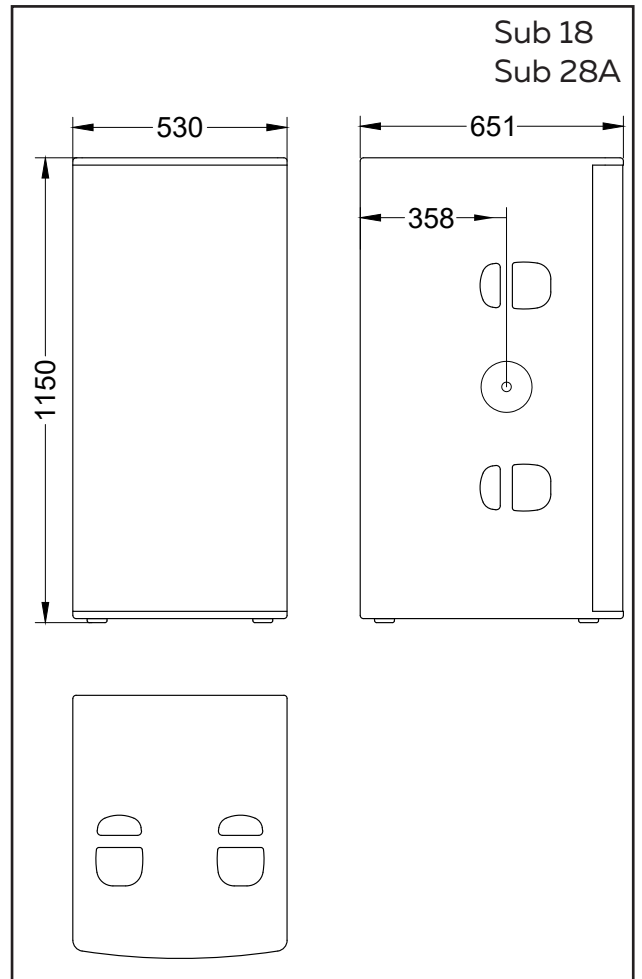
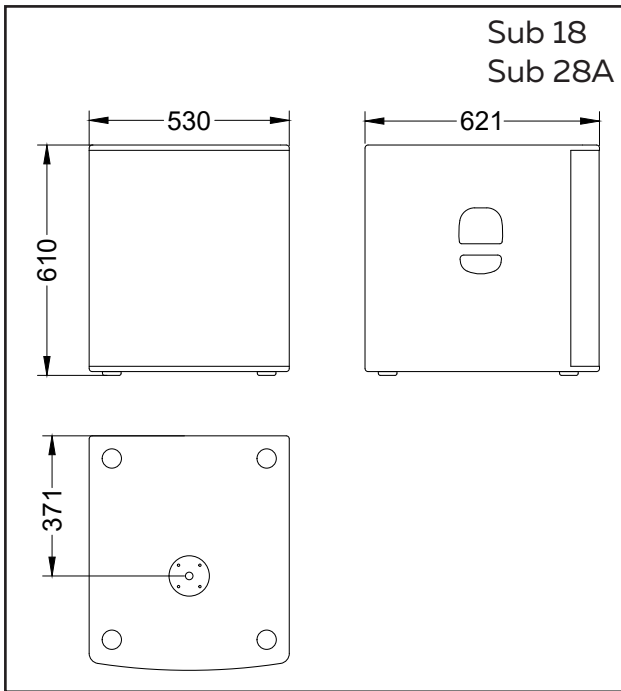
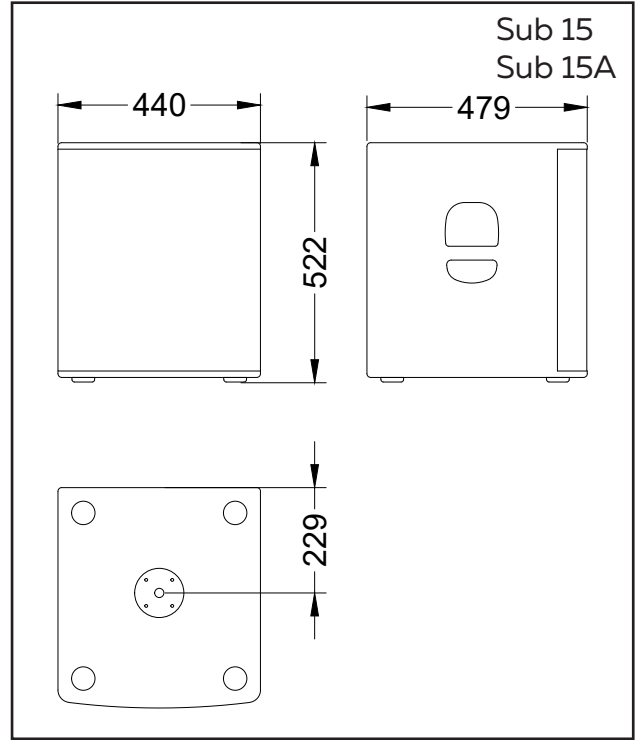
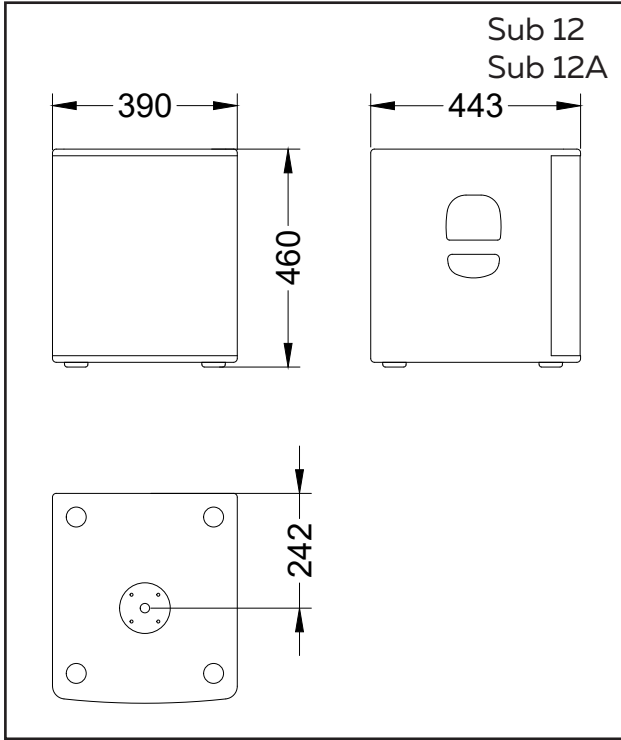


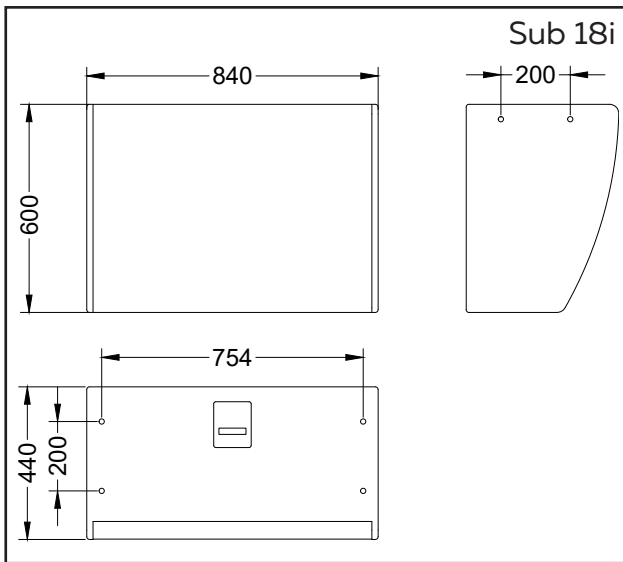
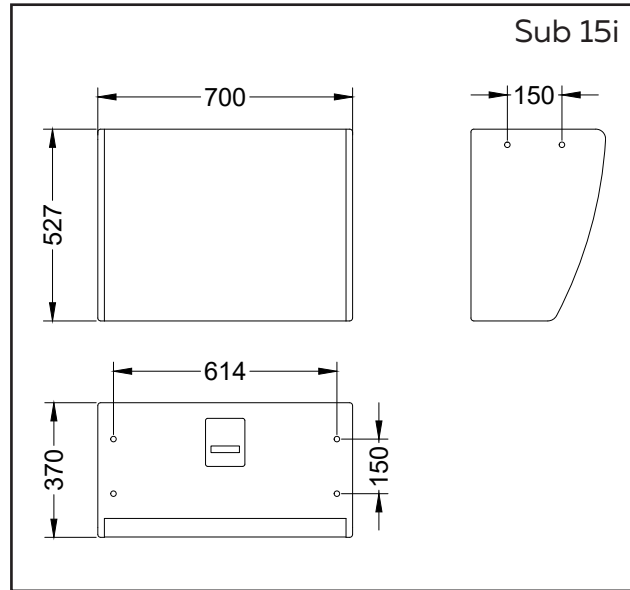
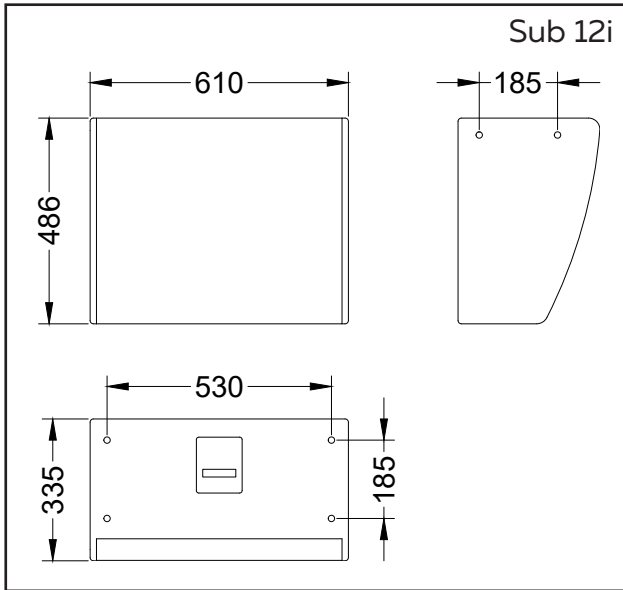
Contents.....	2
Panel A. Dimensions	4
1. Safety instructions.....	7
2. Regulatory information.....	8
3. SUBWOOFER series.....	9
3.1 Introduction.....	9
3.2 SUBWOOFER series speaker models.....	9
4. Specifications.....	10
5. System operation.....	12
5.1. Rigging.....	12
5.2. Flying Sub 15 or Sub 18 with M10 mounting points.....	12
5.3. Eye-bolt orientation.....	12
5.4. Flying a Sub 15 or Sub 18 stack with array mount adapters	13
5.5. Flying a Sub 15 or Sub 18 stack via flying frame	13
5.6. Wall mounting of Sub 12i, Sub 15i and Sub 18i.....	14
5.7. Passive speakers.....	15
5.7.1. Passive connections.....	15
5.8. Powered speakers.....	17
5.8.1. Mains connection.	19
5.8.2. Signal connections.	19
5.8.3. Sub 28A presets	19
6. Standard contents.....	20
7. Accessories	21
8. Warranty and assistance	22
8.1. Product warranty.....	22
8.2. Assistance.....	22

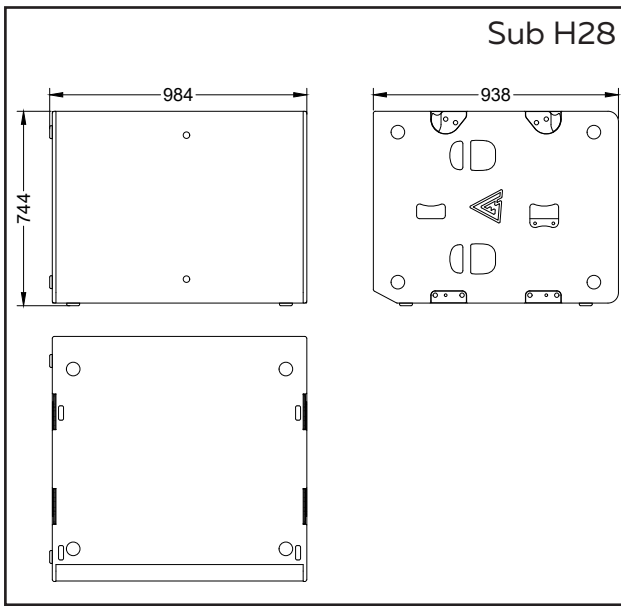
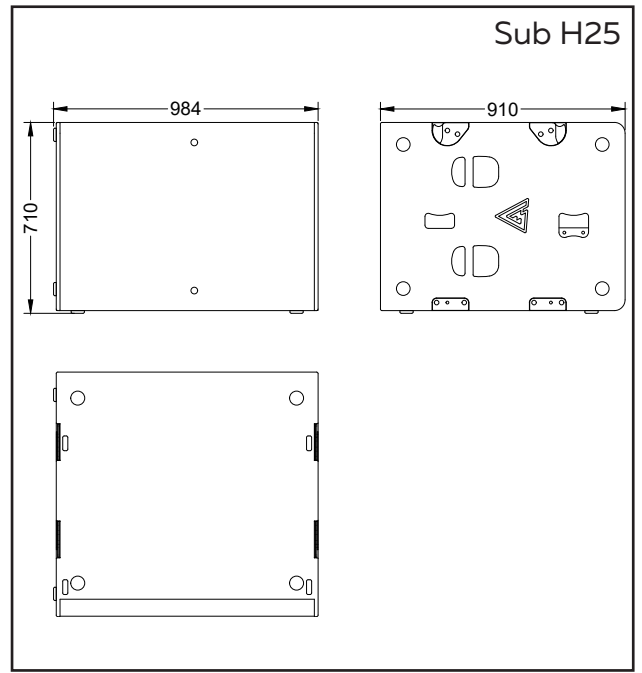
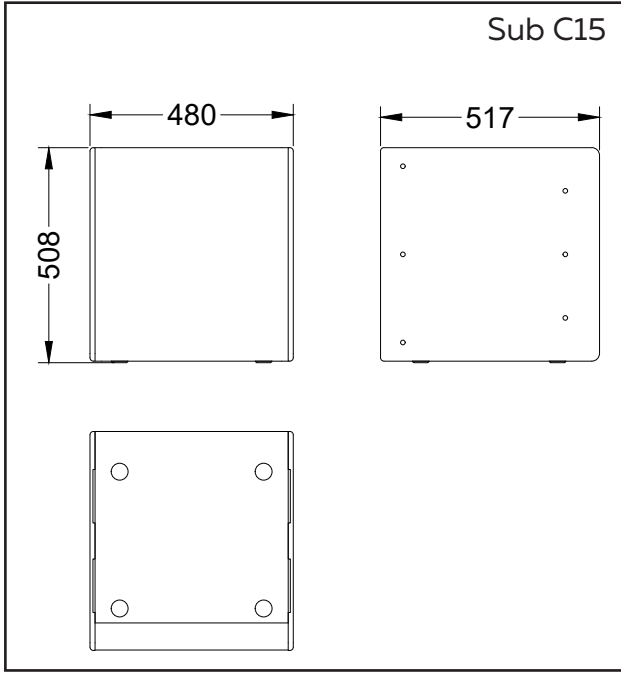


This page has been intentionally left blank

Panel A. Dimensions










1. Safety instructions





EXPLANATIONS OF GRAPHICAL SYMBOLS


 The triangle with the lightning bolt is used to alert the user to the risk of electric shock.


 The triangle with the exclamation point is used to alert the user to important operating or maintenance instructions.


 The CE-mark indicates the compliance with the low voltage and electromagnetic compatibility.

 Symbol for earth/ground connection.


 Symbol indicating that the equipment is for indoor use only.


 Symbol for conformity with Directive 2002/96/EC and Directive 2003/108/EC of the European Parliament on waste electrical and electronic equipment (WEEE).

 **WARNING: TO REDUCE THE RISK OF ELECTRIC SHOCK, DO NOT ATTEMPT TO OPEN ANY PART OF THE UNIT. NO USER-SERVICEABLE PARTS INSIDE. REFER SERVICING TO QUALIFIED SERVICE PERSONNEL.**

 **TO COMPLETELY DISCONNECT THIS APPARATUS FROM THE AC MAINS, DISCONNECT THE POWER SUPPLY CORD PLUG FROM THE AC RECEPTACLE.**

 **THE MAINS PLUG OF THE POWER SUPPLY CORD MUST REMAIN READILY ACCESSIBLE.**

 **DO NOT EXPOSE THIS EQUIPMENT TO RAIN OR MOISTURE, DRIPPING OR SPLASHING LIQUIDS. OBJECTS FILLED WITH LIQUIDS, SUCH AS VASES, SHOULD NOT BE PLACED ON THIS APPARATUS.**

 **CONNECTIONS TO THE MAINS SHALL BE DONE ONLY BY AN ELECTROTECHNICALLY SKILLED PERSON ACCORDING TO THE NATIONAL REQUIREMENTS OF THE COUNTRIES WHERE THE UNIT IS SOLD.**

IMPORTANT SAFETY INSTRUCTIONS

1. Read these instructions carefully.
2. Keep these instructions.
3. Heed all warnings.
4. Follow all instructions.
5. Do not use this equipment near water.
6. Clean only with dry cloth.
7. Do not block any ventilation openings. Install in accordance with the manufacturer's instructions.
8. Do not use near heat sources such as stoves, heat registers, radiators or other equipment (including amplifiers) that produces heat.
9. Do not use the unit near open fire sources.
10. Connect the unit only to the electric network with grounding. Use only electric plugs that provide grounding.
11. Protect the power cord from being walked on, pinched, or otherwise damaged.
12. Use only accessories specified by the manufacturer.
13. Unplug this unit during lightning storms or when unused for long periods of time.
14. Refer all servicing to qualified service personnel. Servicing is required when the system has been damaged in any way, such as power supply cord or plug is damaged, liquid has been spilled or objects have fallen into the unit, the unit has been exposed to rain or moisture, does not operate normally, or has been dropped.
15. **WARNING: TO REDUCE THE RISK OF FIRE OR ELECTRIC SHOCK, DO NOT EXPOSE THIS SYSTEM UNIT TO RAIN OR MOISTURE.**

THIS UNIT CONTAINS POTENTIALLY LETHAL VOLTAGES. TO PREVENT ELECTRIC SHOCK OR HAZARD, DO NOT REMOVE THE AMPLIFIER MODULE. NO USER SERVICEABLE PARTS INSIDE. REFER SERVICING TO QUALIFIED SERVICE PERSONNEL.

INSTALLING OF THIS UNIT MUST BE PERFORMED ONLY BY QUALIFIED TRAINED PERSONNEL FOLLOWING APPLICABLE SAFETY RULES. DO NOT ALLOW INSTALLATION OF THIS UNIT IF INSTALLATION HARDWARE IS BROKEN, BENT, PARTS ARE MISSING OR IS OTHERWISE DAMAGED.

2. Regulatory information

FCC COMPLIANCE NOTICE

This device complies with part 15 of the FCC rules. Operation is subject to the following two conditions: (1) This device may not cause harmful interference, and (2) this device must accept any interference received, including interference that may cause undesired operation.

CAUTION: Changes or modifications not expressly approved by the party responsible for compliance could void the user's authority to operate the equipment.

NOTE: This equipment has been tested and found to comply with the limits for a Class B digital device, pursuant to part 15 of the FCC Rules. These limits are designed to provide reasonable protection against harmful interference in a residential installation. This equipment generates, uses, and can radiate radio frequency energy and, if not installed and used in accordance with the instruction manual, may cause harmful interference to radio communications. However, there is no guarantee that interference will not occur in a particular installation. If this equipment does cause harmful interference to radio or television reception, which can be determined by turning the equipment off and on, the user is encouraged to try to correct the interference by one or more of the following measures:

- Reorient or relocate the receiving antenna.
- Increase the distance between the equipment and receiver.
- Connect the equipment to an outlet on a circuit different from that to which the receiver is connected.
- Consult the dealer or an experienced radio/TV technician for help.

EC DECLARATION OF CONFORMITY

Manufacturer:

MAG Audio LLC
Merezhna 2
Bila Tserkva, Kyiv region
09112 Ukraine

We declare that under our sole responsibility the products:

Model Names: Sub 12-4, Sub 12-8,
Sub 15-4, Sub 15-8,
Sub 18-4, Sub 18-8,
Sub 28, Sub 12A, Sub 15A,
Sub 18A, Sub 28,
Sub 12i-4, Sub 12i-8,
Sub 15i-4, Sub 15i-8,
Sub 18i-4, Sub 18i-8,
Sub C15, Sub H25, Sub H28

Intended use: Professional Speaker System

Are in conformity with the provisions of the following EC Directives, including all amendments, and with the national legislation implementing these directives:

- 2006/95/EC Low Voltage Directive
- 2004/108/EC Electromagnetic Compatibility Directive
- 2002/95/CE RoHs Directive

The following harmonized standards are applied:

EN 55103-1:2009 /A1:2012
EN 55014-1:2006 /A1:2009 /A2:2011
EN 55022:2010 /AC:2011
EN 61000-3-2:2006 /A1:2009 /A2: 2009
EN 61000-3-3:2013
EN 61000-3-11:2000
EN 61000-3-12:2011
EN 55103-2:2009 /IS:2012
EN 61000-4-2:2009
EN 61000-4-3:2006 /A1:2008 /IS1:2009 /A2:2010
EN 61000-4-4:2012
EN 61000-4-5:2006
EN 61000-4-6:2014
EN 61000-4-11:2004
EN 60065:2002 /A1:2006 /A11:2008 /A2:2010 /A12:2011

Bila Tserkva,
22 January 2019

Alexey Asanov
CEO

For compliance questions: info@mag-audio.com

3. SUBWOOFER series

3.1 Introduction

Subwoofer series serves as an ultimate low frequency reinforcement range that represents all-purpose solutions, capable to meet the specific demands of any and all innovative projects.

Series includes conventional passive and powered boxes for mobile and stationary use, installation-ready cabinets with several mounting possibilities and weatherproof option, and special-purpose subwoofers for low-frequency clusters in touring and concert applications.

3.2 SUBWOOFER series speaker models

SUBWOOFER series includes following speaker models:

Sub 12-4 part number 00-0004616
Sub 12-8 part number 00-0005856

Sub 15-4 part number 00-0005854
Sub 15-8 part number 00-0004613

Sub 18-4 part number 00-0005855
Sub 18-8 part number 00-0004478

Sub 28-4 part number 00-0004617

Sub 12A part number 00-0004615
Sub 15A part number 00-0004614
Sub 18A part number 00-0004328
Sub 28A part number 00-0004618

Sub 12i-4 part number 00-0006521
Sub 12i-8 part number 00-0004550

Sub 15i-4 part number 00-0006522
Sub 15i-8 part number 00-0004535

Sub 18i-4 part number 00-0006523
Sub 18i-8 part number 00-0004536

Sub C15 part number 00-0004611
Sub H25 part number 00-0004612
Sub H28 part number 00-0004396



4. Specifications



System	Sub 12 Passive subwoofer	Sub 15 Passive subwoofer	Sub 18 Passive subwoofer	Sub 28 Passive subwoofer
Frequency Response (-10dB)	45 - 300 Hz	37 - 300 Hz	33 - 300 Hz	30 - 220 Hz
Max SPL ¹	130,5 dB	133 dB	138 dB	143 dB
Sensitivity (1W/1m)	95 dB	94 dB	98 dB	100 dB
LF Driver	12", 3" VC	15", 4" VC	18", 4" VC	2x 18", 4" VC
Impedance	4 Ohm (Sub 12-4) 8 Ohm (Sub 12-8)	4 Ohm (Sub 15-4) 8 Ohm (Sub 15-8)	4 Ohm (Sub 18-4) 8 Ohm (Sub 18-8)	4 Ohm
Nominal power ²	450 W	1000 W	1300 W	2600 W
Connectors	2x Neutrik Speakon	2x Neutrik Speakon	2x Neutrik Speakon	2x Neutrik Speakon
Dimensions (W×H×D), mm	390x463x443 mm	440x523x479 mm	530x613x621 mm	530x1153x651 mm
Net weight, kg	29 kg	37 kg	42 kg	78 kg
Shipping weight, kg	32 kg	40 kg	45 kg	81 kg
Mounting	M20 distance pole adapter	M20 distance pole adapter	M20 distance pole adapter	Two M20 distance pole adapters
Enclosure material	Plywood; wear-resistant paint	Plywood; wear-resistant paint	Plywood; wear-resistant paint	Plywood; wear-resistant paint
Grill	Steel grill, acoustically transparent foam	Steel grill, acoustically transparent foam	Steel grill, acoustically transparent foam	Steel grill, acoustically transparent foam

¹ - peak value, calculated according to AES 2 - 2012

² - based on transducer power measured according to AES 2 - 2012

System	Sub 12i Installation subwoofer	Sub 15i Installation subwoofer	Sub 18i Installation subwoofer
Frequency Response (-10dB)	45 - 300 Hz	37 - 300 Hz	33 - 300 Hz
Max SPL ¹	130,5 dB	133 dB	138 dB
Sensitivity (1W/1m)	95 dB	94 dB	98 dB
LF Driver	12", 3" VC	15", 4" VC	18", 4" VC
Impedance	4 Ohm (Sub 12i-4) 8 Ohm (Sub 12i-8)	4 Ohm (Sub 15i-4) 8 Ohm (Sub 15i-8)	4 Ohm (Sub 18i-4) 8 Ohm (Sub 18i-8)
Nominal power ²	450 W	1000 W	1300 W
Connectors	Barrier strip	Barrier strip	Barrier strip
Dimensions (W×H×D), mm	616x486x335 mm	700x527x370 mm	840x600x440 mm
Net weight, kg	29 kg	36 kg	50 kg
Shipping weight, kg	33 kg	41 kg	55 kg
Mounting	10x M10 mounting point; VESA 200x200	10x M10 mounting point; VESA 200x200	10x M10 mounting point; VESA 200x200
Enclosure material	Plywood; wear-resistant paint	Plywood; wear-resistant paint	Plywood; wear-resistant paint
Grill	Steel grill, acoustically transparent foam	Steel grill, acoustically transparent foam	Steel grill, acoustically transparent foam

¹ - peak value, calculated according to AES 2 - 2012

² - based on transducer power measured according to AES 2 - 2012



System	Sub 12A Powered subwoofer	Sub 15A Powered subwoofer	Sub 18A Powered subwoofer	Sub 28A Powered subwoofer
Frequency Response (-10dB)	43 - 170 Hz	35 - 170 Hz	31 - 170 Hz	30 - 250 Hz
Max SPL (calculated)	127,5 dB	131 dB	134 dB	139,5 dB
LF Driver	12", 3" VC	15", 4" VC	18", 4" VC	2x 18", 4" VC
Amplifier power	650 W	1400 W	1400 W	3000 W
Amplifier	Class D, fan cooling, DSP	Class D, fan cooling, DSP	Class D, fan cooling, DSP	Class D, fan cooling, DSP
Input sensitivity	0 dBV (1 V RMS)	0 dBV (1 V RMS)	0 dBV (1 V RMS)	0 dBV (1 V RMS)
Connectors	XLR input, XLR output, Powercon mains	XLR input, XLR output, Powercon mains	XLR input, XLR output, Powercon mains	XLR input, XLR output, Powercon mains
Dimensions (W×H×D), mm	390x463x443 mm	440x523x479 mm	530x613x621 mm	530x1153x651 mm
Net weight, kg	32 kg	40 kg	45 kg	81 kg
Shipping weight, kg	35 kg	43 kg	48 kg	84 kg
Mounting	M20 distance pole adapter	M20 distance pole adapter	M20 distance pole adapter	Two M20 distance pole adapters
Enclosure material	Plywood; wear-resistant paint	Plywood; wear-resistant paint	Plywood; wear-resistant paint	Plywood; wear-resistant paint
Grill	Steel grill, acoustically transparent foam	Steel grill, acoustically transparent foam	Steel grill, acoustically transparent foam	Steel grill, acoustically transparent foam

System	Sub C15 Passive arrayable subwoofer	Sub H25 Passive hybrid-horn subwoofer	Sub H28 Passive hybrid-horn subwoofer
Frequency Response (-10dB)	37 - 300 Hz	37 - 120 Hz	28 - 120 Hz
Max SPL ¹	133 dB	146,5 dB	149,5 dB
Sensitivity (1W/1m)	94 dB	105 dB	106 dB
LF Driver	15", 4" VC	2x 15", 4" VC	2x 18", 4,5" VC
Impedance	8 Ohm	4 Ohm	4 Ohm
Nominal power ²	1000 W	1700 W	2900 W
Connectors	Barrier strip	4x Neutrik Speakon	4x Neutrik Speakon
Dimensions (W×H×D), mm	456x509x513 mm	700x980x900 mm	700x980x938 mm
Net weight, kg	38 kg	92 kg	115 kg
Shipping weight, kg	41 kg	96 kg	120 kg
Mounting	Integrated flying hardware	Integrated mounting hardware	Integrated mounting hardware
Enclosure material	Plywood; wear-resistant paint	Plywood; wear-resistant paint	Plywood; wear-resistant paint
Grill	Steel grill, acoustically transparent foam	Steel grill, acoustically transparent foam	Steel grill, acoustically transparent foam

¹ - peak value, calculated according to AES 2 - 2012

² - based on transducer power measured according to AES 2 - 2012

5. System operation

5.1. Rigging

Several SUBWOOFER series systems are equipped with M10 mounting points for flown installation.

Rigging must be performed only by trained personnel following the established safety rules.

MAXIMUM WEIGHT RESTRICTIONS MUST BE FOLLOWED AT ALL TIMES!

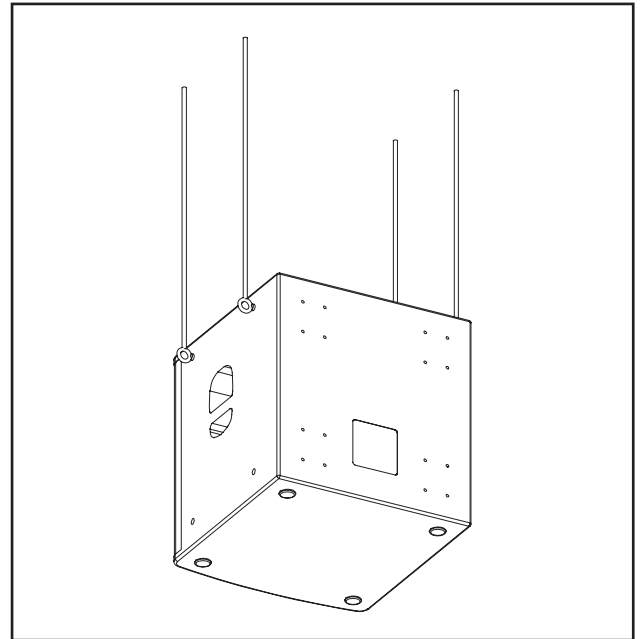
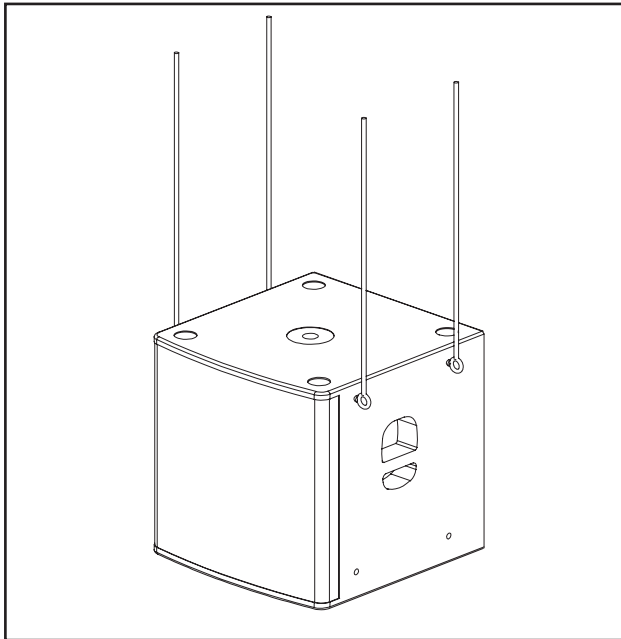
MAKE SURE THE SUPPORT STRUCTURE IS CAPABLE OF HOLDING THE APPLIED WEIGHT WHILE SUSPENDING THE SYSTEM!

5.2. Flying Sub 15 or Sub 18 with M10 mounting points

Required accessories:

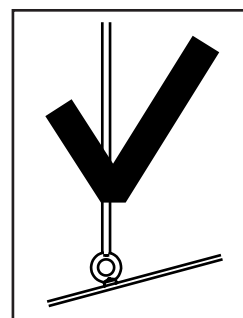
VA-0016 (part No. 00-00003695)

Sub 15 and Sub 18 are fit with eight M10 mounting points, allowing for suspended mounting with M10 eyebolts.

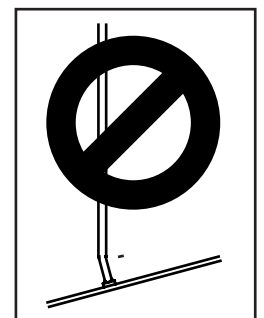


5.3. Eye-bolt orientation

While flying, applied force must be in the plane of the VA-0016 eyebolt's ring. It is prohibited to arrange the rig in the way that force is at the angle from the eyebolt's ring plane.



Right



Wrong

5.4. Flying a Sub 15 or Sub 18 stack with array mount adapters

Accessories:

VA-0010 (part No. 00-00002878) - 4 pcs

AM-Sub-15 (part No. 00-0006742)

- 4 pcs or

AM-Sub-18 (part No. 00-0006741)

- 4 pcs

1. Remove 8 pcs of M10 mounting bolts for cabinet's mounting sockets (Pic 1).

2. Align 4 pcs of AM-Sub-15 (For Sub 15) or 4 pcs of AM-Sub-18 (For Sub 18) array mounts with M10 mounting sockets of the cabinet (Pic 2).

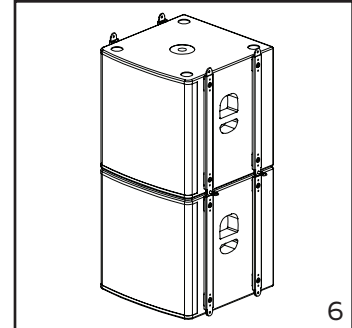
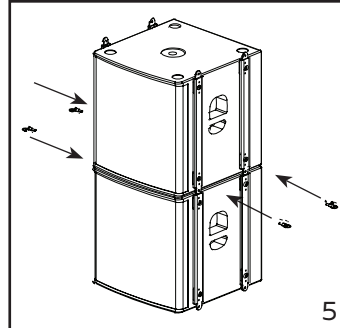
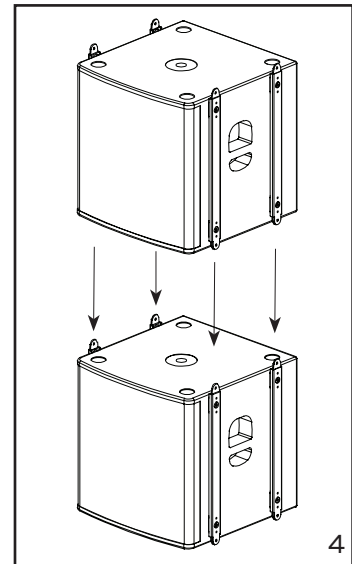
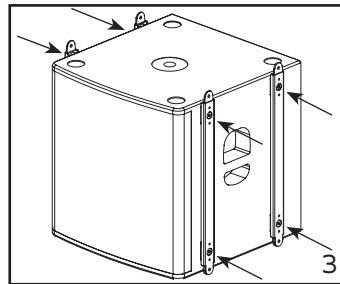
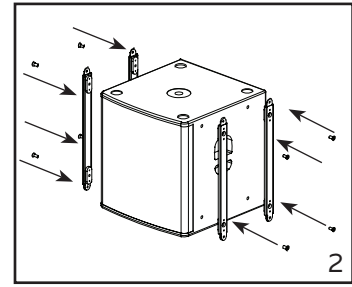
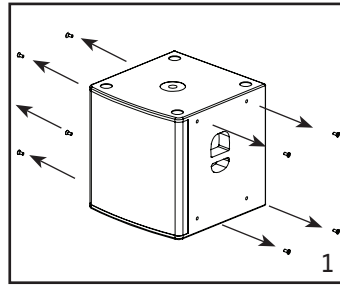
3. Use 8 pcs of M10 mounting bolts to secure array mounts onto the cabinets (Pic 3).

4. Align a pair of Sub 15 or a pair of Sub 18 cabinets with array mounts attached. Insert array mounts' links into corresponding sockets (Pic 4).

5. Secure connection with 4 pcs of VA-0010 8mm pins (Pic 5, 6).

6. Attach additional cabinets if necessary

NO MORE THAN 4 PCS OF SUB 15 OR SUB 18 CABINETS MAY BE FLOWN WITH AM-SUB-15 OR AM-SUB-18 ARRAY MOUNTS.



5.5. Flying a Sub 15 or Sub 18 stack via flying frame

Required accessories:

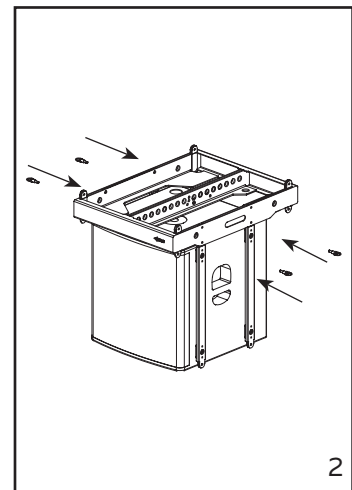
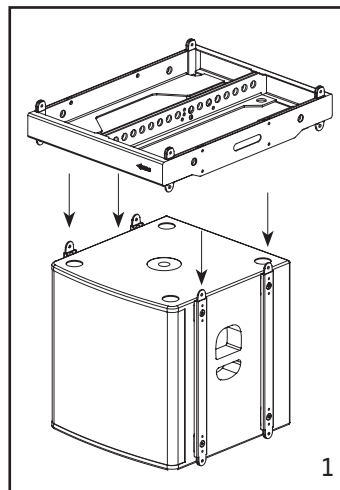
VA-0010 (Part No. 00-00002878) - 4 pcs

WSF-01 (Part No. 00-0004068) - 1 pcs

1. Assemble a stack of Sub 15 or Sub 18 as per paragraph 5.4.

2. Align the upper subwoofer with WSF-01 flying frame. Array mounts' link should fit into the frame's sockets. (Pic. 1).

3. Secure connection with four VA-0010 pins. (Pic. 2).



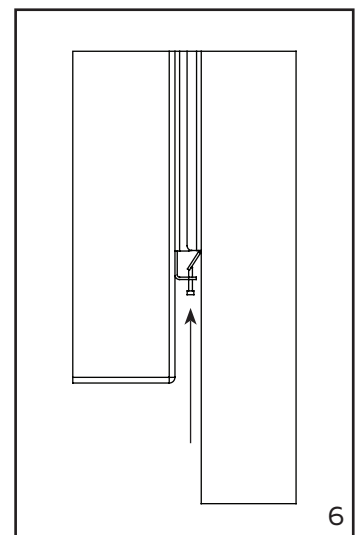
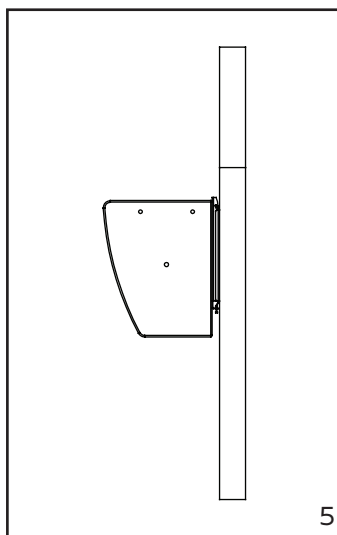
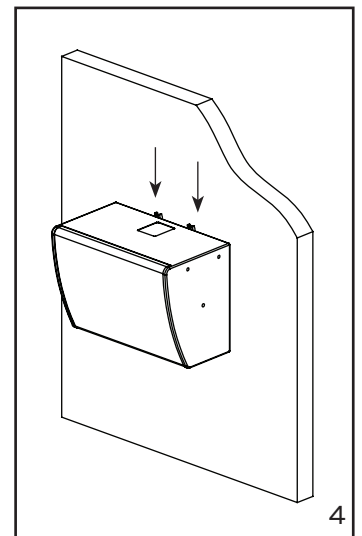
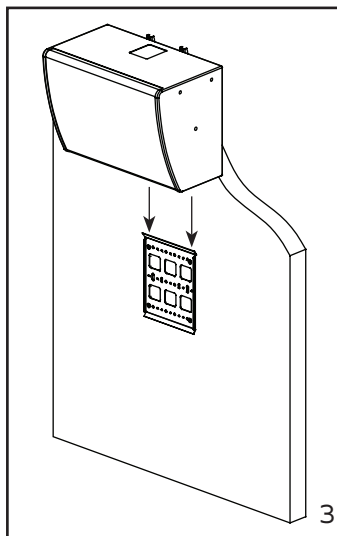
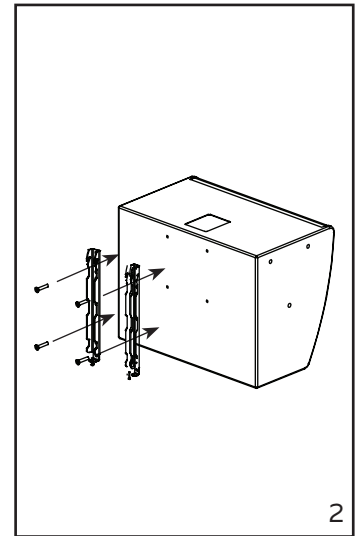
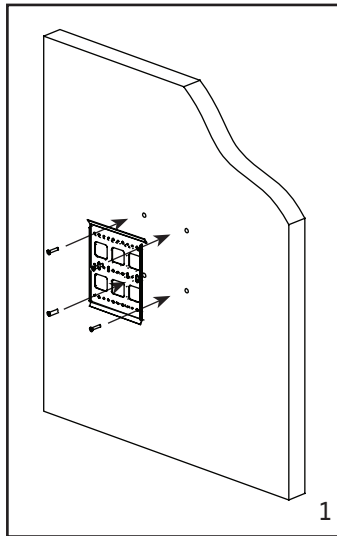


5.6. Wall mounting of Sub 12i, Sub 15i and Sub 18i

Accessories:

LLS (part No. 00-00002647) - 1 pcs

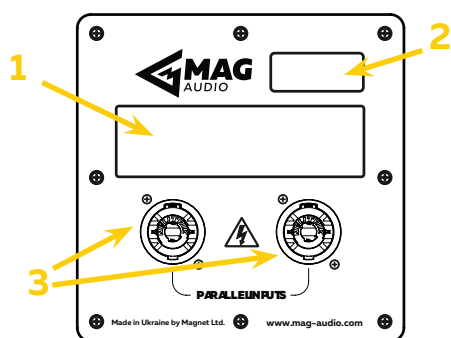
1. Attach the mounting plate of the LLS mounting bracket to the wall using fixing holes provided (Pic 1).
2. Attach two mounting planks of the LLS mounting bracket to VESA 200x200 mounting holes of the cabinet using M6 bolts. (Pic 2).
3. Hang the cabinet with attached mounting planks onto the mounting plate (Pic 3, 4).
4. Use a hex key to secure the mounting bracket by tightening two M6 on the bottom of the LLS (Pic 5, 6).





5.7. Passive speakers

Sub 12, Sub 15, Sub 18, Sub 28, Sub C15, Sub H25, Sub H28 connection plate



1. LABEL FIELD. Name of the system, along with its basic parameters is noted here.

2. SERIAL NUMBER FIELD. Sticker with the systems serial number is located here. NEVER REMOVE THE SERIAL FROM THE SYSTEM, AS IT IS IMMEDIATE WARRANTY VOID.

5.7.1. Passive connections

Suggested accessories:

CN-0031 (part No. 00-00004271)

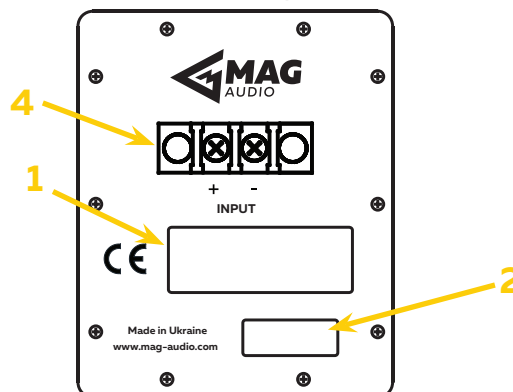
CN-0032 (part No. 00-00004272)

Use power amplifier with DSP or power amplifiers with external speaker processor with SUBWOOFER series passive systems.

MAKE SURE TO USE HIGH PASS FILTER FOR ALL SUBWOOFER SERIES SYSTEMS TO PREVENT EXCESSIVE CONE MOVEMENT, RESULTING IN TRANSDUCER DAMAGE OR FAST DETERIORATION.

Recommended HPF settings, suggested power amplifier ratings, and connection pins are found in table below:

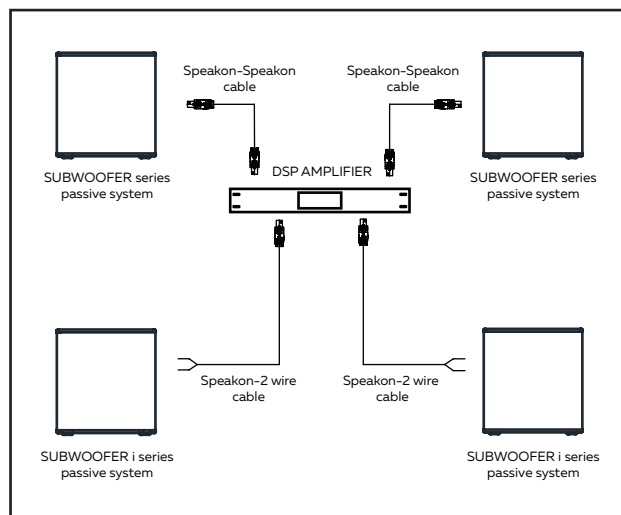
Sub 12i, Sub 15i, Sub 18i connection plate



3. PARALLEL INPUTS. The pair of parallel Neutrik® Speakon connectors. Use this connectors to connect power amplifier and to feed the signal to the parallel system (optional).

4. INPUT. Pair of screw terminals. Use these to connect power amplifier.

SUBWOOFER series passive connection diagram



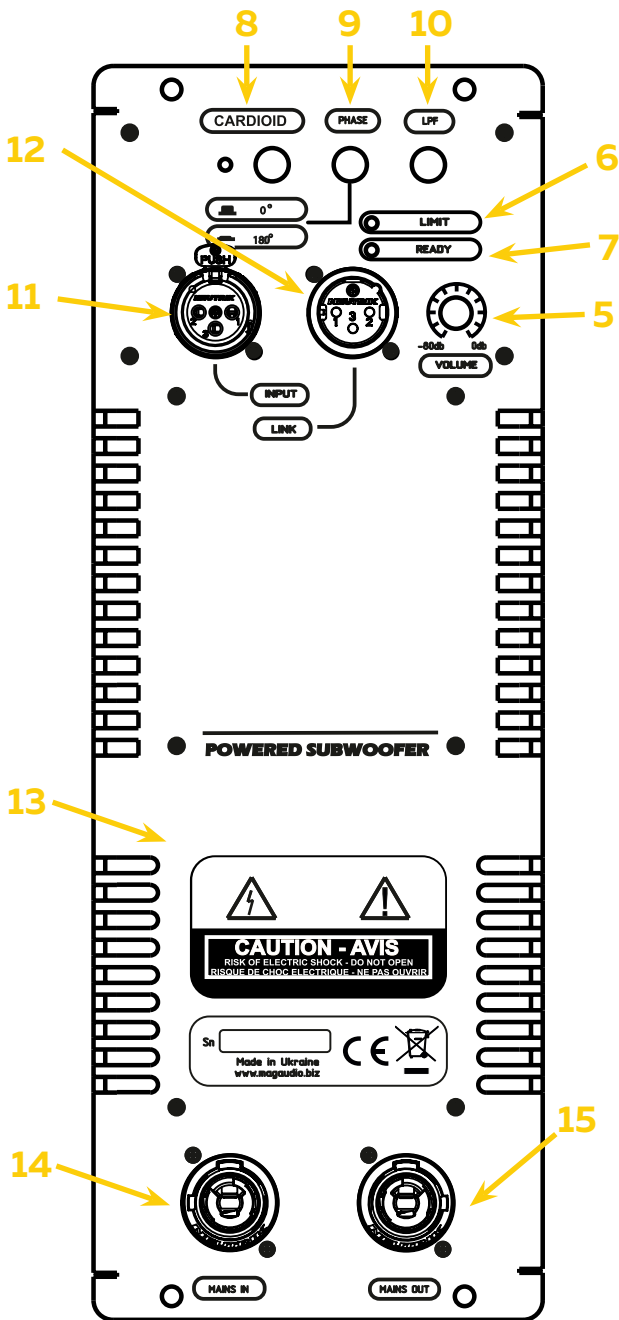
System	Amplifier power	Amplifier impedance	Connection pins	Recommended HPF
Sub 12-4	450 - 900 W	4 Ohm	+1 -1	40 Hz or higher, 18 dB/oct min
Sub 12-8	450 - 900 W	8 Ohm	+1 -1	40 Hz or higher, 18 dB/oct min
Sub 15-4	1000 - 2000 W	4 Ohm	+1 -1	35 Hz or higher, 18 dB/oct min
Sub 15-8	1000 - 2000 W	8 Ohm	+1 -1	35 Hz or higher, 18 dB/oct min
Sub 18-4	1300 - 2600 W	4 Ohm	+1 -1	30 Hz or higher, 18 dB/oct min
Sub 18-8	1300 - 2600 W	8 Ohm	+1 -1	30 Hz or higher, 18 dB/oct min
Sub 28-4	2600 - 5200 W	4 Ohm	+1 -1	27 Hz or higher, 18 dB/oct min
Sub 12i-4	450 - 900 W	8 Ohm	+1 -1	40 Hz or higher, 18 dB/oct min
Sub 12i-8	450 - 900 W	4 Ohm	+1 -1	40 Hz or higher, 18 dB/oct min
Sub 15i-4	1000 - 2000 W	8 Ohm	+1 -1	35 Hz or higher, 18 dB/oct min
Sub 15i-8	1000 - 2000 W	4 Ohm	+1 -1	35 Hz or higher, 18 dB/oct min
Sub 18i-4	1300 - 2600 W	8 Ohm	+1 -1	30 Hz or higher, 18 dB/oct min
Sub 18i-8	1300 - 2600 W	4 Ohm	+1 -1	30 Hz or higher, 18 dB/oct min



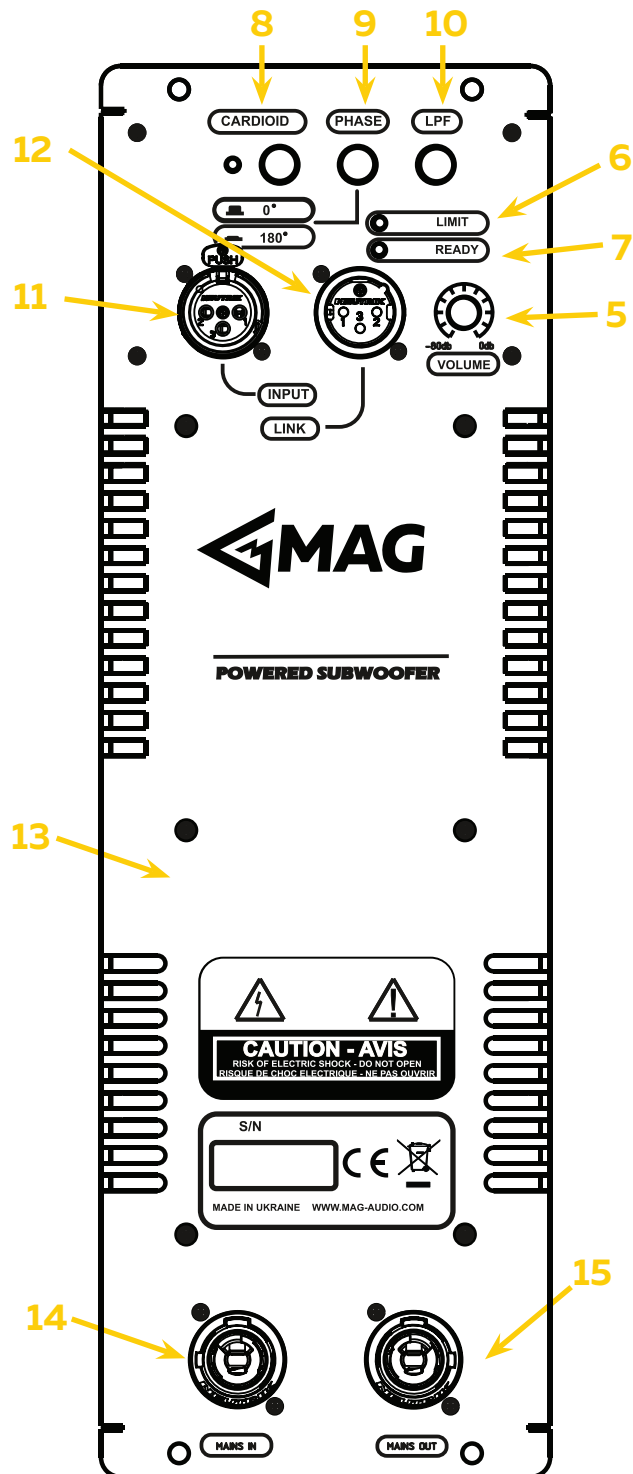
System	Amplifier power	Amplifier impedance	Connection pins	Recommended HPF
Sub C15-8	1000 - 2000 W	8 Ohm	+1 -1	35 Hz or higher, 18 dB/oct min
Sub H25		Link	Front +1 -1	35 Hz or higher, 18 dB/oct min
Sub H25	1700 - 3400 W	4 Ohm	Front +2 -2	35 Hz or higher, 18 dB/oct min
Sub H25	1700 - 3400 W	4 Ohm	Rear +1 -1	35 Hz or higher, 18 dB/oct min
Sub H25		Link	Rear +2 -2	35 Hz or higher, 18 dB/oct min
Sub H28		Link	Front +1 -1	25 Hz or higher, 18 dB/oct min
Sub H28	2900 - 5800 W	4 Ohm	Front +2 -2	25 Hz or higher, 18 dB/oct min
Sub H28	2900 - 5800 W	4 Ohm	Rear +1 -1	25 Hz or higher, 18 dB/oct min
Sub H28		Link	Rear +2 -2	25 Hz or higher, 18 dB/oct min

5.8. Powered speakers

Sub 12A amplifier



Sub 15A, Sub 18A amplifier



5. VOLUME KNOB. Used for adjusting the volume of the system. Remember to turn the volume down before connecting/disconnecting INPUT or LINK connectors.

6. LIMIT LED. Is lit when limiter is operational, indicating excessive signal through the system.

7. READY LED. Is lit when system is fully operational.

8. CARDIOID BUTTON. Engaged on reversed subwoofer, creates a cardioid coverage of a subwoofer array.

9. PHASE BUTTON. Switches the polarity.

10. LPF BUTTON. Engages a 100 Hz Low pass filter.

11. INPUT CONNECTOR. Used for connecting the system to the signal source (mixing console etc.)

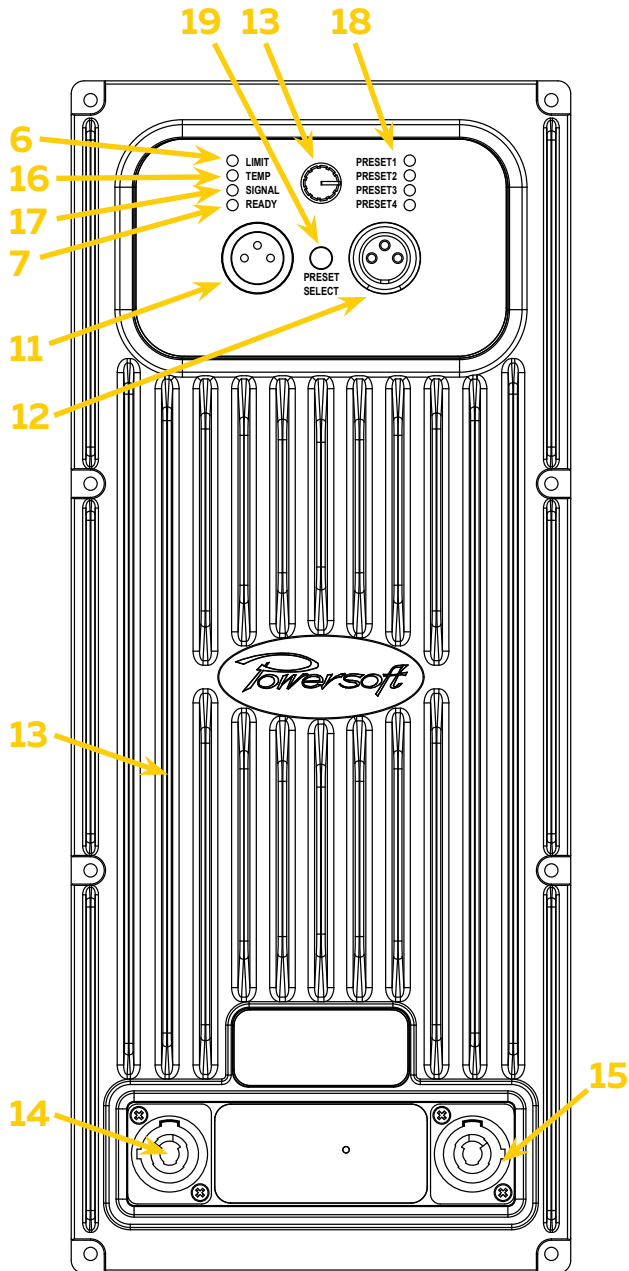
12. LINK CONNECTOR. Used for linking additional compatible system to the same signal source.

13. HEAT SINK. Do not close the ventilation openings on the heat sink, as it may cause the system to overheat and switch off by itself.





Sub 28A amplifier



- 14. MAINS IN. Used for connecting mains supply to the system.
- 15. MAINS OUT. Used for feeding the mains supply to the additional system.
- 16. TEMP LED. Is flashing when amplifier is at the possibility of overheating. Is lit when thermal shutdown is engaged.

- 17. SIGNAL LED. Indicated if the signal is present at the module's input.
- 18. PRESET LED. Shows currently used preset.
- 19. PRESET SELECT BUTTON. Switches currently selected preset.



5.8.1. Mains connection.

SUBWOOFER series powered systems are supplied with CN-0010 PowerCon-E/F CEE 7/7 mains cable (part number 00-00005561). Use only original or supplied by manufacturer mains cables!

SUBWOOFER series powered systems are equipped with PowerCon B mains power outlets for mains link to additional SUBWOOFER series powered system.

SUBWOOFER series systems' nominal mains power specifications: AC 220V, 50/60 Hz.

Nominal voltage tolerance: 100 - 250 V.

To power up the system, connect the mains cable to the system, then to the power outlet.

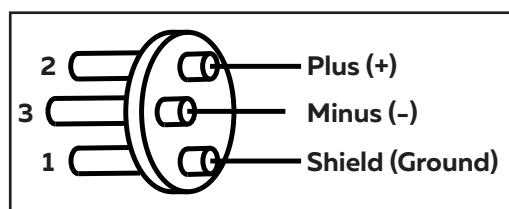
To completely power down the system, disconnect the mains cable from the power outlet.

5.8.2. Signal connections.

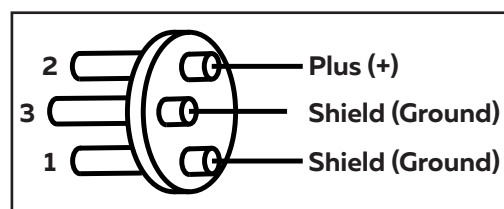
SUBWOOFER series systems are equipped with XLR INPUT an XLR LINK connectors for signal connection.

Use of balanced XLR connector cables is recommended. In case when balanced XLR connections are not available, unbalanced XLR connection is acceptable.

For linking the additional system to the same signal bus LINK connector may be used.



Balanced XLR Plug connections



Unbalanced XLR Plug connections

Amplifier controls. Use several available SUBWOOFER series speaker system's amplifier controls to set up the entire system:

LPF 100Hz: Provides a 100Hz low-pass filter to seamlessly couple a powered subwoofer with full-range systems.

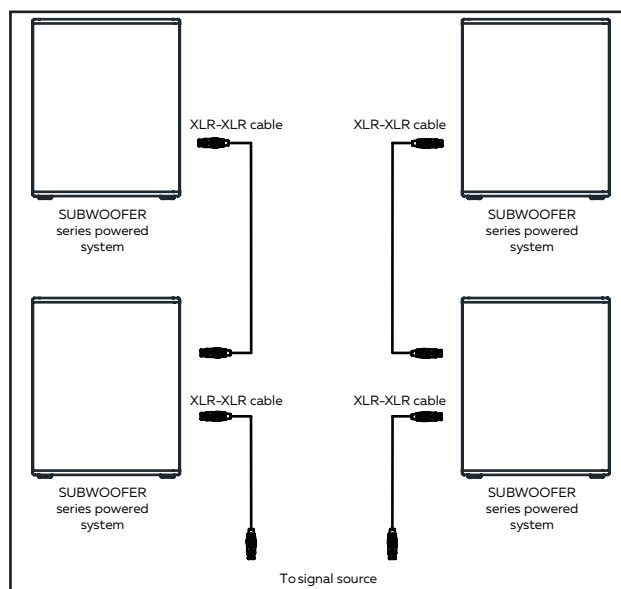
PHASE: Switches the polarity of the subwoofer for better coupling with the rest of the sound system.

CARDIOID: Enables the inversed subwoofer mode, allowing creation of subwoofer arrays with cardioid coverage.

5.8.3. Sub 28A presets.

Powered Sub 28A subwoofer is fit with four presets for choosing the best performance in different situations:

- PRESET 1: MAIN. Primary preset with HPF and LPF filters.
- PRESET 2: MAIN 180: Primary preset with HPF and LPF, phase switched 180 degrees.
- PRESET 3: CARDIOID: Used on inverted subwoofer to create cardioid low-frequency arrays.
- PRESET 4: MAIN NO LPF: Primary preset with HPF only. LPF is off for use with external processing.



SUBWOOFER series powered signal connection diagram

6. Standard contents

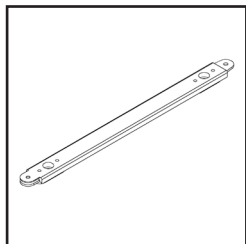
Please check the complement of your SUBWOOFER series system upon receiving the package.

Standard contents of SUBWOOFER series systems:

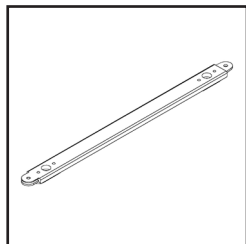
System	Supplied SUBWOOFER series system	SUBWOOFER series user manual	CN-0010 mains cord	Polyethylene bag	Cardboard box
Sub 12-4	Sub 12 4 Ohm passive system	+		+	+
Sub 12-8	Sub 12 8 Ohm passive system	+		+	+
Sub 15-4	Sub 15 4 Ohm passive system	+		+	+
Sub 15-8	Sub 15 8 Ohm passive system	+		+	+
Sub 18-4	Sub 18 4 Ohm passive system	+		+	+
Sub 18-8	Sub 18 8 Ohm passive system	+		+	+
Sub 28-4	Sub 28 4 Ohm passive system	+		+	+
Sub 12i-4	Sub 12i 4 Ohm passive system	+		+	+
Sub 12i-8	Sub 12i 8 Ohm passive system	+		+	+
Sub 15i-4	Sub 15i 4 Ohm passive system	+		+	+
Sub 15i-8	Sub 15i 8 Ohm passive system	+		+	+
Sub 18i-4	Sub 18i 4 Ohm passive system	+		+	+
Sub 18i-8	Sub 18i 8 Ohm passive system	+		+	+
Sub C15-8	Sub C15 8 Ohm passive system	+		+	+
Sub H25-4	Sub H25 4 Ohm passive system	+		+	+
Sub H28-4	Sub H28 4 Ohm passive system	+		+	+
Sub 12A	Sub 12A powered system	+	+	+	+
Sub 15A	Sub 15A powered system	+	+	+	+
Sub 18A	Sub 18A powered system	+	+	+	+
Sub 28A	Sub 28A powered system	+	+	+	+

7. Accessories

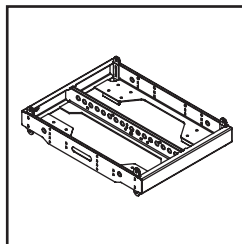
Various accessories are available for SUBWOOFER series systems:



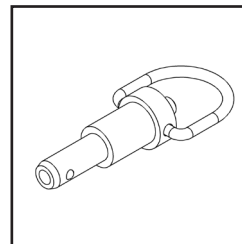
AM-Sub-15
array mount
Part No. 00-0006742



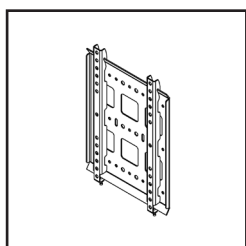
AM-Sub-18
array mount
Part No. 00-0006741



WSF-01 versatile
frame
Part No. 00-0004068



VA-0010 8mm pin
Part No. 00-00002878



LLS
mounting bracket
Part No. 00-00002647



- SUB12-TB - Sub 12 transportation bag Part No. 00-0006747
- SUB12A-TB - Sub 12A transportation bag Part No. 00-0006746
- SUB15-TB - Sub 15 transportation bag Part No. 00-0006749
- SUB15A-TB - Sub 15A transportation bag Part No. 00-0006748
- SUB18-TB - Sub 18 transportation bag Part No. 00-0006750
- SUB18A-TB - Sub 18A transportation bag Part No. 00-0006696
- SUB28-TB - Sub 28 transportation bag Part No. 00-0006751
- SUB28A-TB - Sub 28A transportation bag Part No. 00-0006752
- SUBH28-TB - Sub H28 transportation bag Part No. 00-0006753



8. Warranty and assistance



8.1. Product warranty

1. By this warranty MAG Audio grants that all equipment manufactured under the MAG Audio trademark is free from defects in material, components and factory workmanship under the normal use and maintenance for the time as specified below.

2. All warranty repairs and maintenance of MAG Audio products shall be carried out at MAG Audio production sites or by MAG Audio authorized personnel at no cost for the product purchaser.

3. Warranty period for cone transducers, high frequency drivers and crossovers, whether sold separately or as a component of a speaker system, is 60 months from the production date.

4. Warranty period for enclosures, grills, connection plates and accessories, whether sold separately or as a component of a speaker system, is 60 months from the production date.

5. Warranty period for built-in power amplifiers, whether sold separately or as a component of a speaker system, is 36 months from the production date.

6. Warranty repairs or maintenance will be performed only if a) MAG Audio product was purchased from an official MAG Audio distributor / dealer and b) warranty card with specified serial number, production date, realization date, vendor's signature and stamp is presented.

7. Warranty shall not cover the following: damage caused by accident, misuse or failure to follow exploitation rules stated in technical manual; repairs performed by non-authorized personnel; mechanical damage caused by shipping accidents and normal tear and wear.

8. Warranty shall not be applicable to any product with defaced, removed, or modified serial number.

9. If your MAG Audio product needs repairing or maintaining, contact your official MAG Audio distributor / dealer. Please do not ship your MAG Audio product without prior authorization.

8.2. Assistance

There are no user-serviceable parts in your device. Refer servicing to qualified technical personnel. In addition to in-house service department, MAG Audio supports the chain of distributors, authorized in repairs and service. If your device needs repairing, contact your MAG Audio dealer or distributor.

Occasionally, due to the nature of the failure, it might be necessary to return defective products to MAG Audio for repair. In this case, before shipping, please kindly contact your MAG Audio distributor or dealer, or MAG Audio directly. You will be provided the RMA number code and detailed instructions regarding your particular case. Please do not send products without a prior authorization.

Thank you for your understanding, cooperation and choice of MAG Audio products.



info@mag-audio.com
www.mag-audio.com

Tel./Fax: +38 044 277-47-89

2 Merezhna str., Bila Tserkva,
Kyiv region, 09100, Ukraine
Tel./Fax.: +38 044 2774789
e-mail: info@mag-audio.com
www.mag-audio.com