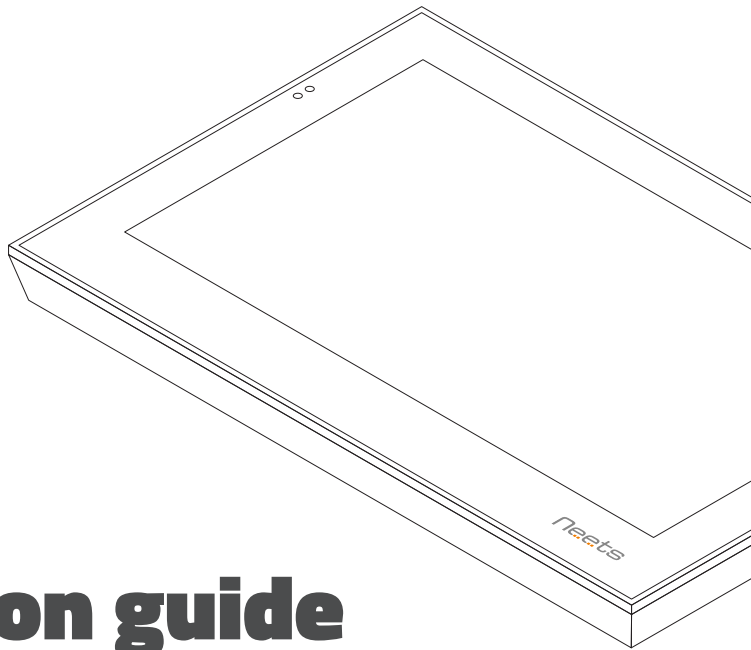


neets



Installation guide

Neets Touch Panel™

Thank you!

Thank you for including the Neets Touch Panel as part of the user interface strategy for your customer.

Specifications

Physical Dimensions:

H: 120 mm

W: 180 mm

D: 41,4 mm

In wall: 25,4 mm

On wall: 17,7 mm

Shipping dimensions:

65 mm x 280 mm x 240 mm (HxWxD)

Weight:

Product: 0,33 Kg

Wall Bracket: 0,175 Kg

Shipping: 0,85 Kg

Connections:

RJ45 with POE – For both Power and Ethernet communication

Switches:

Pen hole switch:

- 1: Access to Admin settings
- 2: Factory Reset switch
- 3: For FW upgrade only

Touch Screen:

5-point capacitive touch screen

Scratch resistant glass-on-glass touch screen

Display:

7" IPS Display,

Resolution: 1024x595 pixels

Brightness: 350 nits (cd/m²)

Sensors:

Proximity sensor – For automatic display activation

Ambient Light sensor – For automatic backlight dimming

Power:

Power Over Ethernet (POE), IEEE802.3af, 48V (PoE injector not included)

Environment:

Operating Temp: 0 to 40 °C / 32 to 104 °F

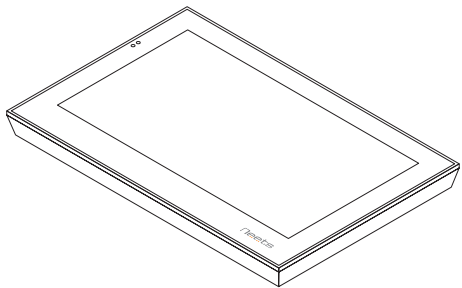
Storage Temp: 0 to 60 °C / 32 to 140 °F

Operation moisture: Humidity: 10% to 90% RH

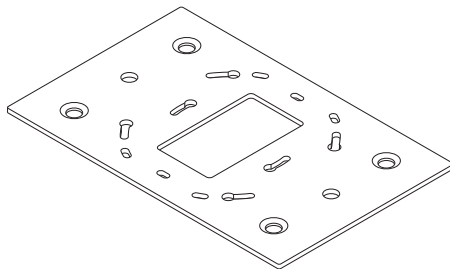
Compliance:

CE, FCC

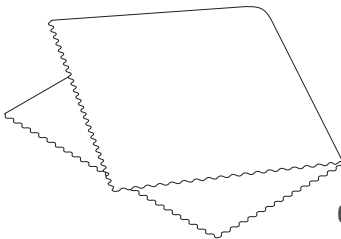
What's in the box



7" Touch Panel



Wall mount bracket



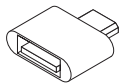
Cloth



**Ejector pin for
menu settings**



4 x Screws

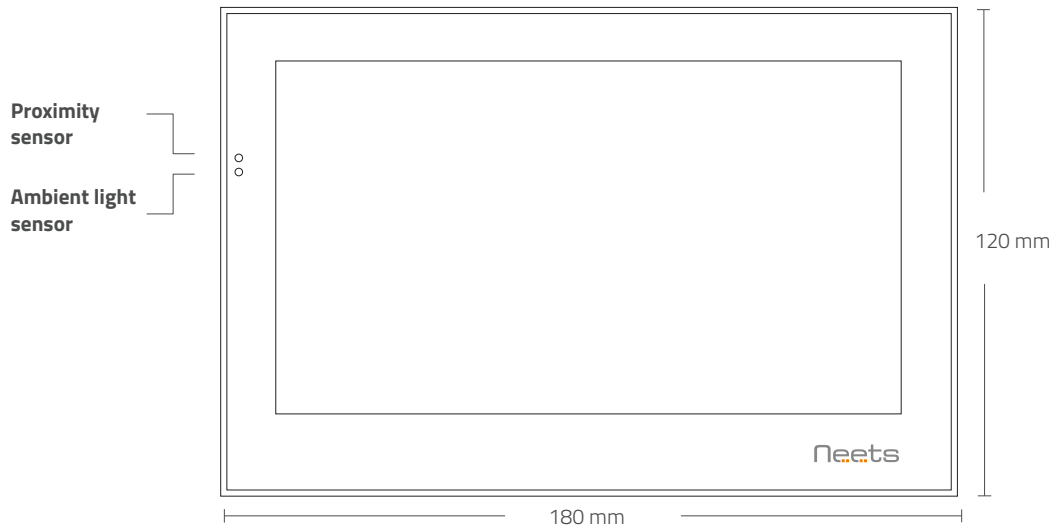


**USB OTG adapter (for application
and firmware upgrade)**

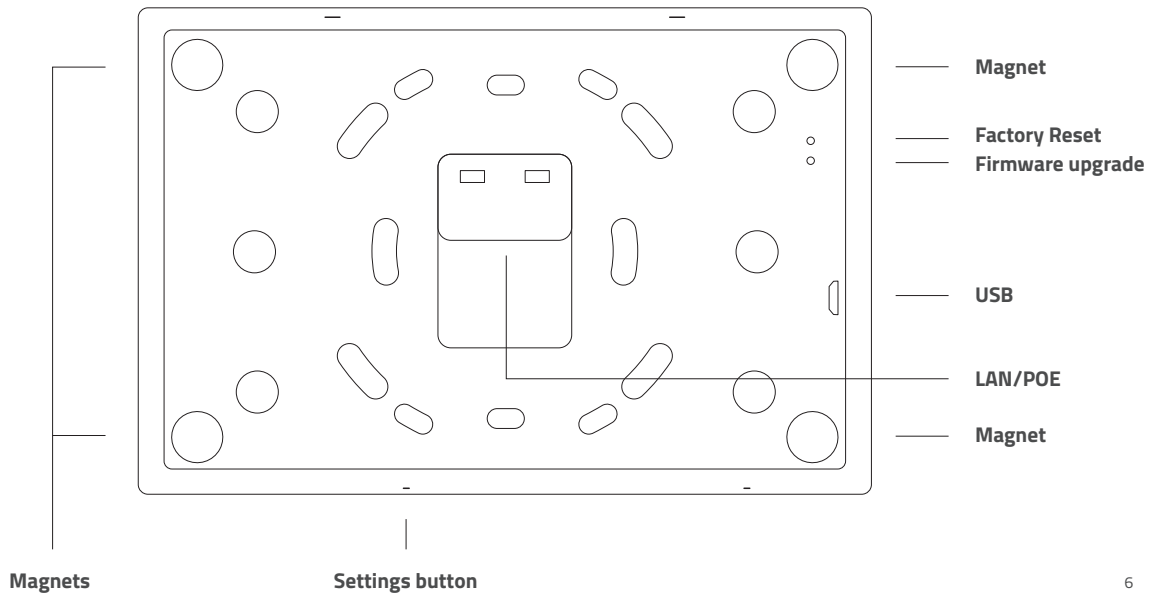


4 x Wall plugs

Front



Back

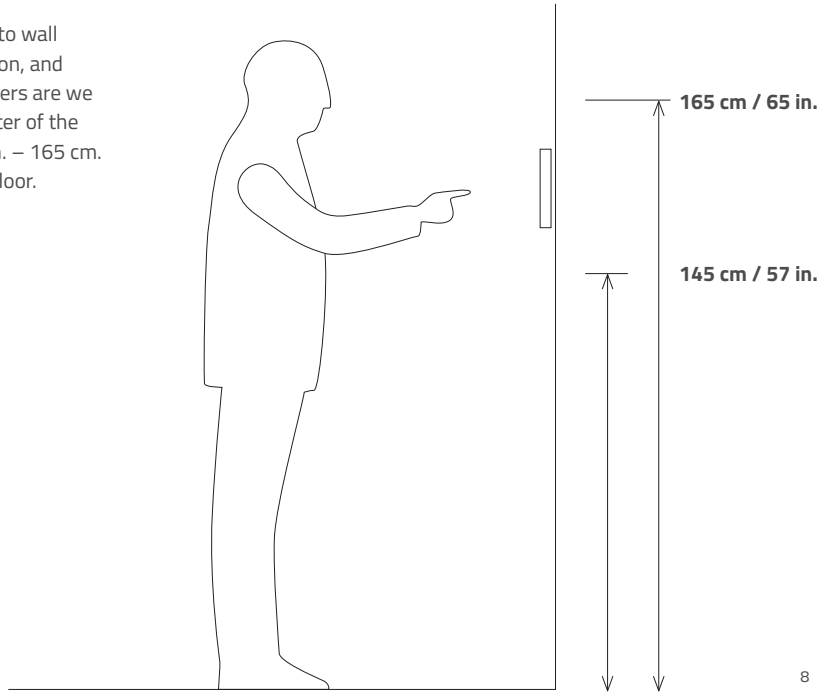


Steps

- 1 Touch Panel position
- 2 Bracket details
- 3 Mounting the bracket
- 4 Connect LAN/PoE
- 5 Mount Touch Panel on bracket
- 6 Connect PoE injector
- 7 First start up

1 Touch Panel position

The Touch Panel is designed to wall mount in landscape orientation, and depending on how tall the users are we recommend locating the center of the touch panel between 145 cm. – 165 cm. (57" – 65") above the finish floor.



2 Bracket details

The Touch Panel is designed to mount into a 1- or 2-gang back box in EU, US or DK standards or can be mounted without a back box.

When using EU and US standards use the threads that are already in the back box and secure the bracket with fitting screws.

When using a DK standard back box use the holes marked with "W" for mounting directly on the wall.

To mount the Touch Panel without back box use holes marked with "W".

The numbers on the bracket refers to the back box it is intended for.

1 EU 1-gang back box

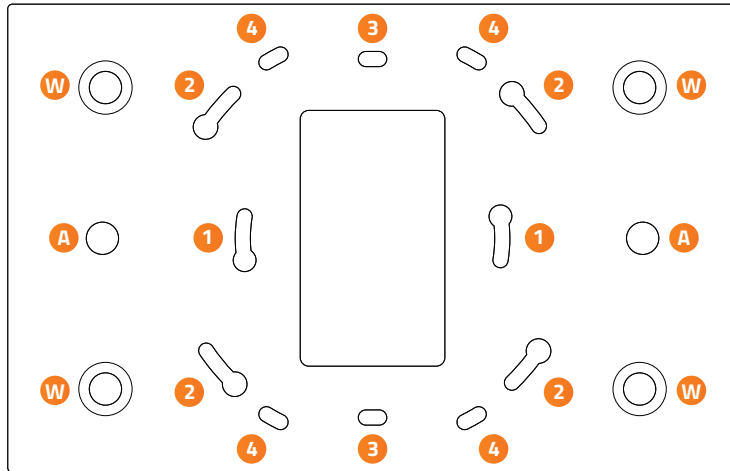
2 EU 2-gang back box

3 US 1-gang back box

4 US 2-gang back box

W Holes for mounting directly into the wall

A Alignment holes – do not use these for screws



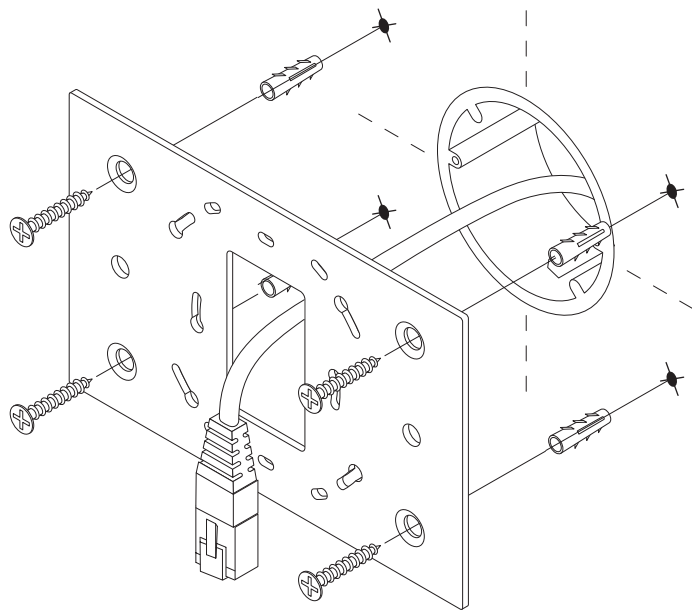
3 Mounting the bracket

When mounting the Touch Panel into a EU/US back box follow the steps below.

In case you are not mounting on a EU/US back box skip step 1.

Before you start make sure the wall is even to prevent distorting the bracket.

- 1 Mount the bracket onto the back box using the screws and screw holes for the specific type of back box (see page 10)
- 2 Level the bracket on the wall (When mounting onto a back box do this before tightening the screws)
- 3 Mark the center of the W-holes in the bracket
- 4 Remove the bracket again
- 5 Drill and insert wall plugs
- 6 Mount the bracket and tighten the screws into the wall

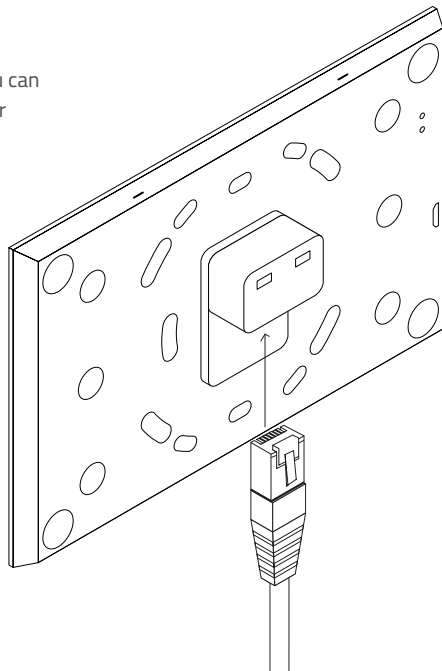


4

Connect LAN / PoE

Connect the PoE cable from the wall to the Touch Panel.

Note: PoE is not included, but you can use the PoE Injector (Part number 302-000508).

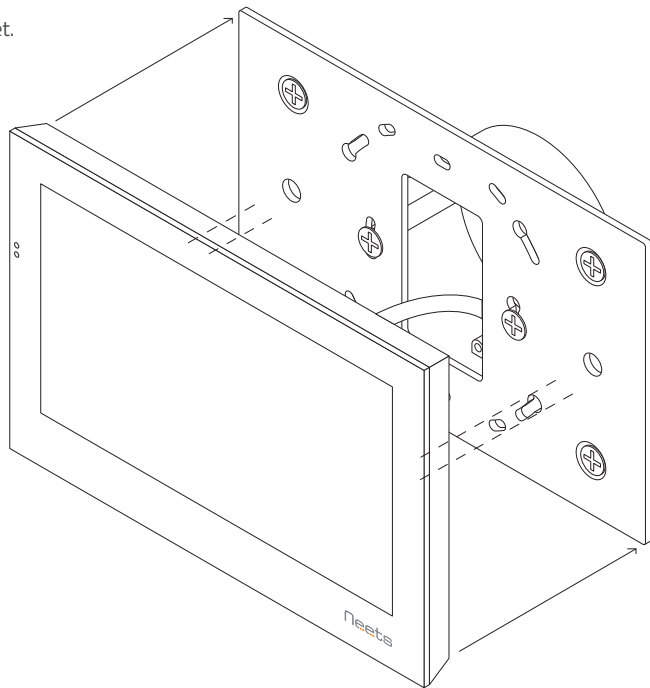


5

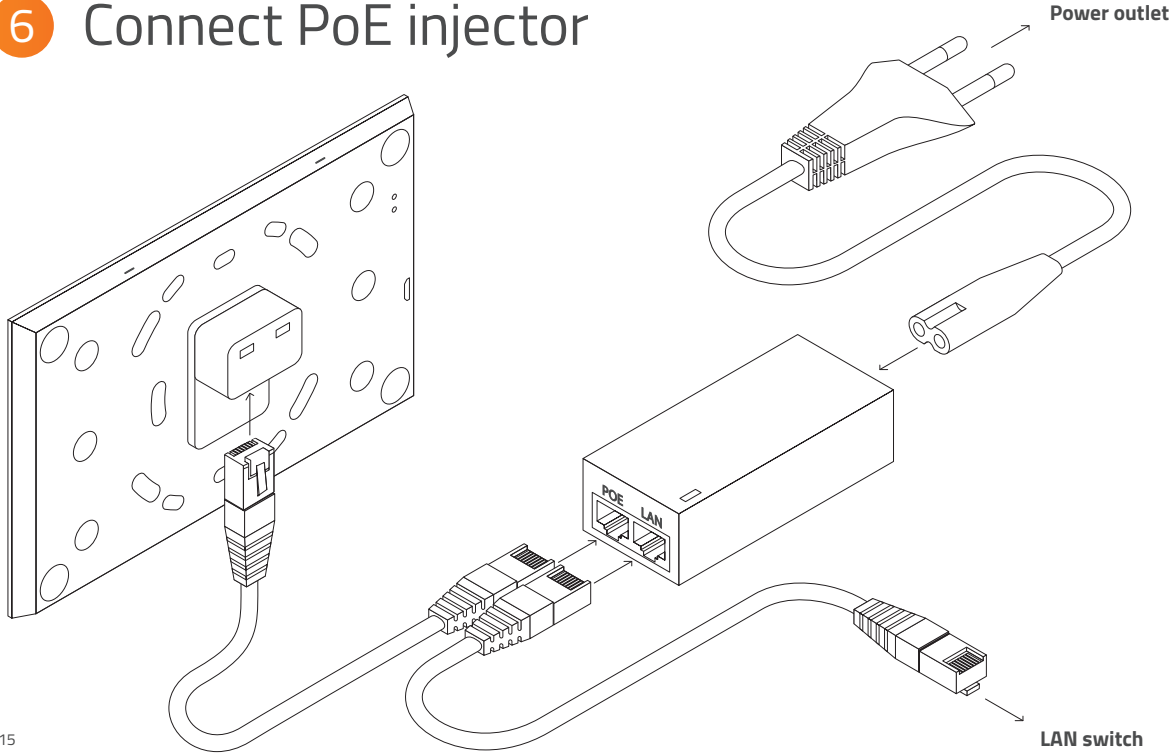
Mount Touch Panel on bracket

Place the Touch Panel onto the bracket.

Make sure it is placed correctly and the alignment holes are free to fix the Touch Panel to all four magnets.



6 Connect PoE injector



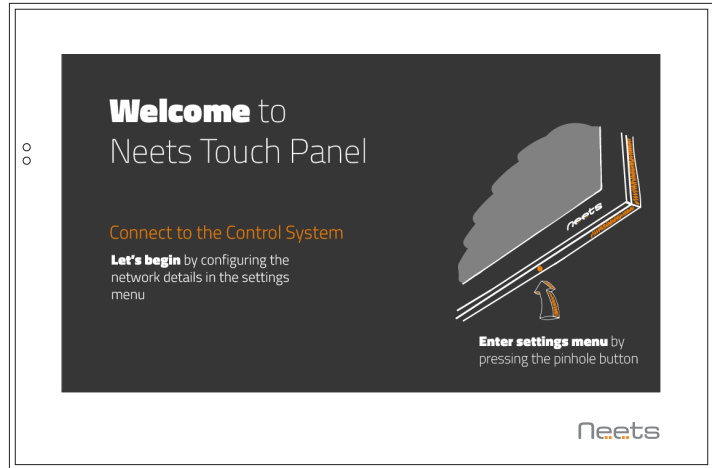
7 First start up

The Touch Panel will automatically power on when power is applied. Wait for the unit to start up and follow the instructions.

For a complete configuration guide please go to:

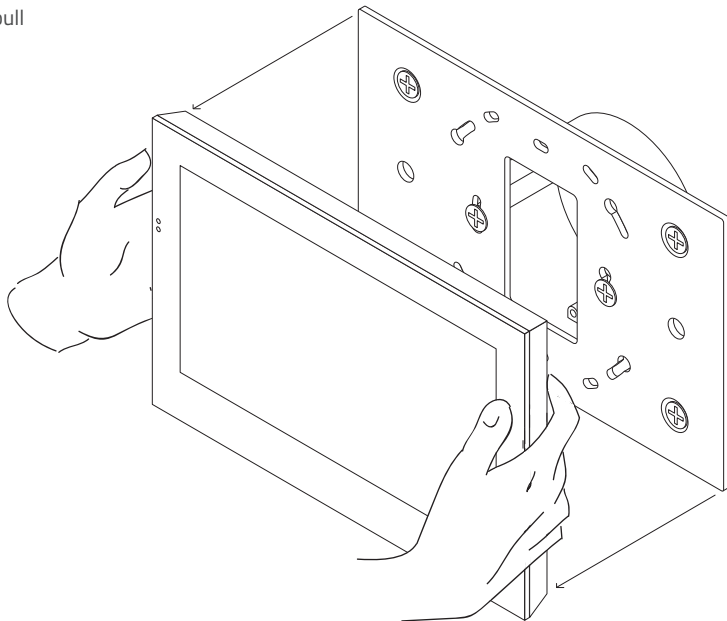
www.neets.dk/products/touch-panels/155

You will find the instructions for firmware updates the same place.



Removing the Touch Panel

Using two hands grasp on each side of the Touch Panel and pull straight out from the wall.



Learn more at neets.dk

Visit our website neets.dk for additional information about the product and the latest firmware.