

TS 100 Series

www.dynacord.com



- High power multi-functional 2-way cabinet
- 150 Watts / 16 Ω
- DH-3 Titanium diaphragm driver
- Rotatable CAD optimized 90 x 40 CD horn
- Neodymium DND 6130-16 woofer

Both the acoustic and the mechanical design of the TS 100 two-way full range cabinet, with its power handling of 150 W RMS, are optimized for multifunctional applications. Its certified mounting accessories and discrete styling make the TS 100 suitable for even the most elegant surroundings. The range of applications of the TS 100 is all-embracing, ranging from entertainment installations in bistros, clubs and restaurants to AV applications in places like boardrooms, trade fairs and hotels as well as front-fill in theatres. Due to their nominal impedance of 16 Ω , up to four TS 100 cabinets can be operated by a single power amplifier channel. With a weight of only 7.1 kg, the TS 100 displays its true metal in mobile use as well, forming an extremely light PA system (in combination, for example, with the PowerSub 312) with very high sound pressure levels and while maintaining outstanding sound quality. For the low- and medium frequency ranges, the extremely low-distortion DND 6130-16 neodymium chassis is used. The high frequencies are handled by an HPT94 constant directivity horn that can be rotated through 90° with extreme ease for horizontal applications. The HF driver, an Electro-Voice DH-3, is remarkable for its brilliant high-frequency reproduction. All loudspeakers are electronically protected from thermal overload. The base of the cabinet is equipped with a top-hat to receive a mounting pole. For installation applications,

a second end-cap without an opening is included which is very simple to replace one type of end-cap with the other to maintain an aesthetically desirable result.

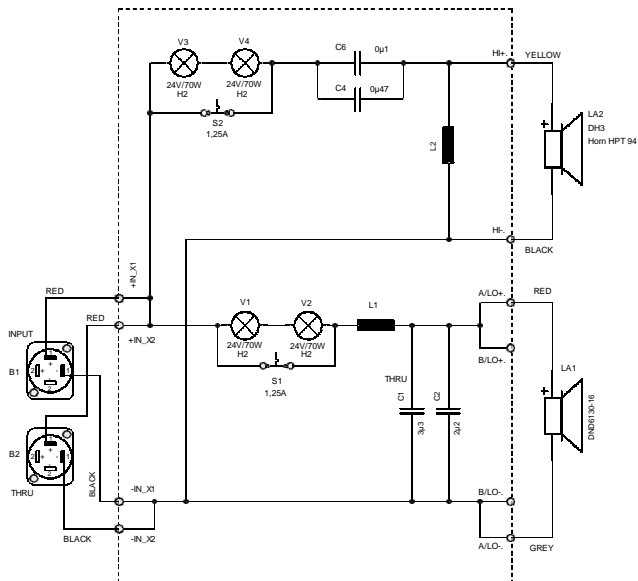
The TS 100 is available in either black or white (TS 100W). For fixed installation, the WMK-10 (WMK-10W) wall mounting kit is available. The optional FB-TS400 flying kit facilitates suspension of the device safely from a truss. Another highly practical accessory is the SH-TS100 carrying bag. Linear phase FIR (finite impulse response) factory presets are available as well as presets for conventional digital controllers.

Technical specifications

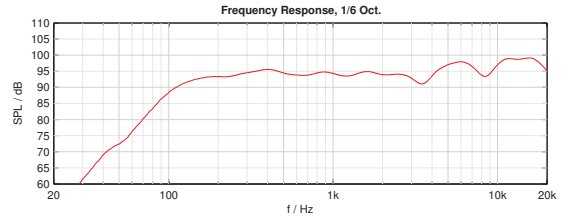
Color	
• TS 100	Black (RAL 9005, jet black)
• TS 100W	White (RAL 9010, pure white)
Cabinet	Full-range
Configuration	Passive 2-Way
Nominal impedance	16 Ω
Power handling: Full-range	
• Rated power RMS	150 W

• Program power	300 W
• Peak power	600 W
SPL 1 W/1 m	94 dB
Max. SPL at 1 m (calculated with peak power)	122 dB
Frequency range (-10 dB)	80–20000 Hz
Nominal coverage angle	90° x 40°
X-Over frequency	2200 Hz
Voice coil tracking protection	Halogen
Component HIGH	Electro-Voice DH-3
Component LOW	DND 6130-16
Connector	
• Model	2 x NEUTRIK speakON NL4
• Contacts full-range	1+, 1-
• Contacts wired through	1+, 1-
Product dimensions (Width x Height x Depth)	199 x 350 x 239.5 mm
Net weight	7.1 kg
Enclosure material	Aluminum
Grille	Steel
Suspension	4 x M6

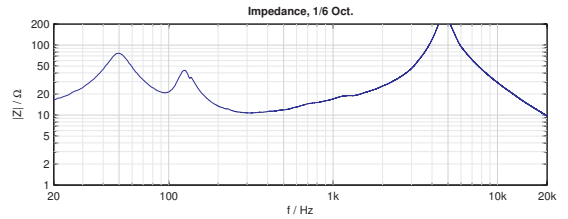
NEUTRIK and speakON are registered trademarks of Neutrik AG.



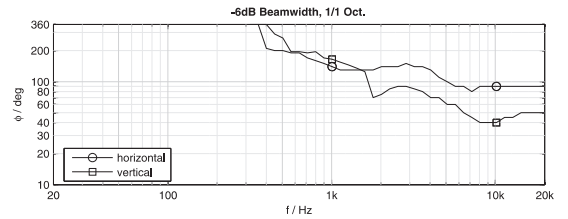
Circuit diagram



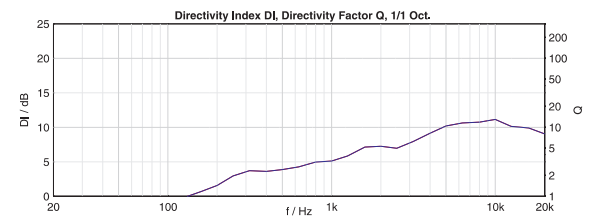
Frequency response



Impedance

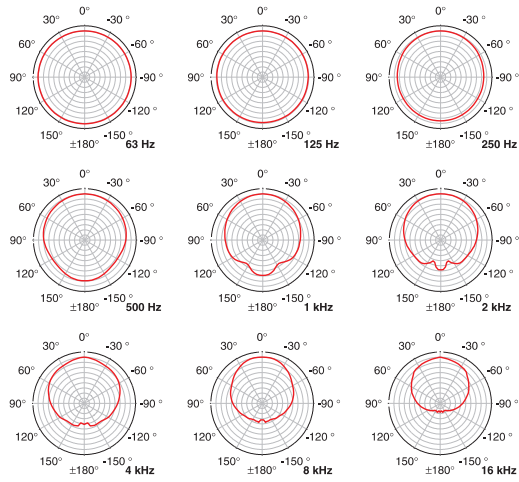


Beamwidth



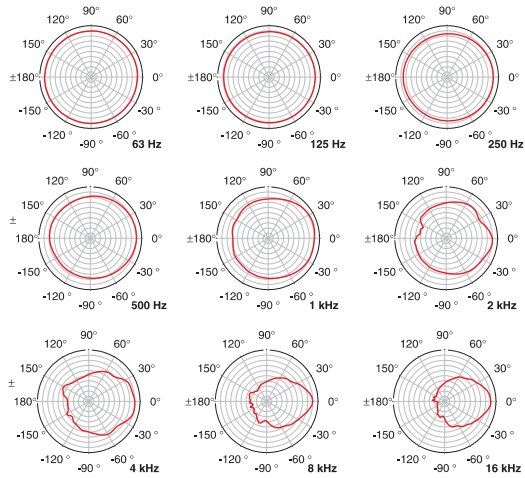
Directivity Index

Horizontal Directivity, 5dB/Div, 50dB Radius, 1/1 Oct.

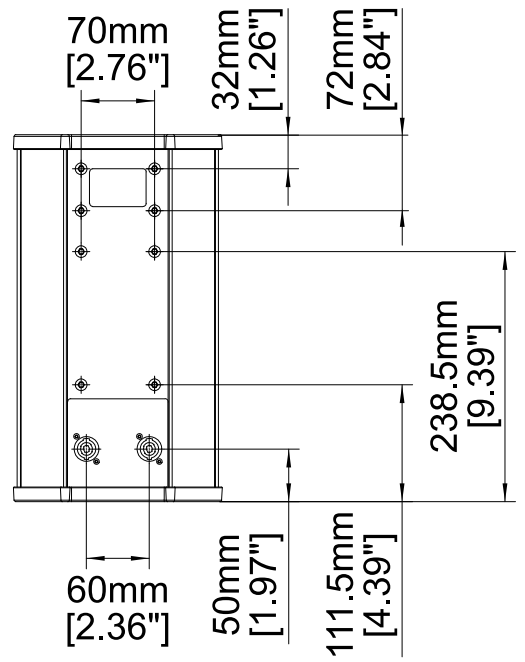
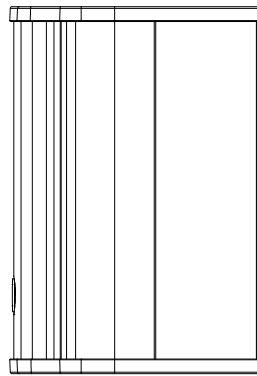
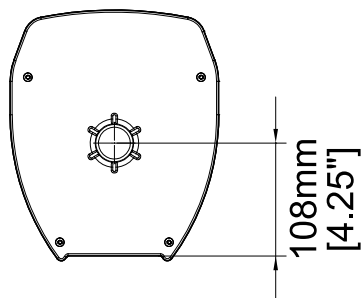
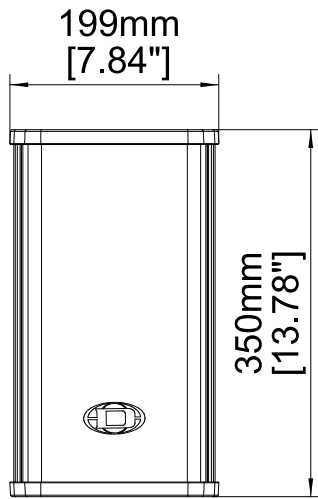
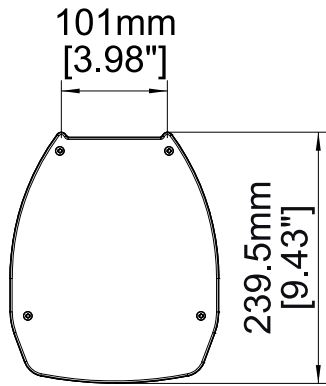


Horizontal directivity

Vertical Directivity, 5dB/Div, 50dB Radius, 1/1 Oct.



Vertical directivity



Dimensions

Installation/configuration notes

Warning!



We expressly point out that the relevant safety regulations must be observed for “flying” loudspeaker systems. It is imperative that qualified expert advice is sought.

Warning!

Use of speaker stands

Be sure to observe speaker stands' maximum load-bearing capacity. Note that for reasons of design and construction, most speaker stands are approved to bear centric loads only; that is, the speakers' mass has to be precisely centered and balanced. Ensure speaker stands are set up stably and securely. Take appropriate added measures to secure speaker stands, for example when the floor or ground surface does not provide a stable, secure base or they are extended to heights that impede stability or high wind pressure may be expected or there is the risk that they may be knocked over by people or vehicles. Special measures may become necessary as precautions against unsafe audience behavior. Do not set up speaker stands in evacuation routes and emergency exits. Ensure corridors are wide enough and put proper barriers and markings in place when setting speaker stands up in passageways. Mounting and dismounting are especially hazardous tasks. Use aids suitable for this purpose. Always observe the given national or local regulations when doing so.



Notice!

Consult a certified structural engineer before any attempt to suspend this loudspeaker!



Loudspeaker can fall from improper suspension, resulting in severe injury and damage of property. Do not suspend or mount any other product or device from this loudspeaker enclosure! Use grade 5 hardware or better only!

Notice!

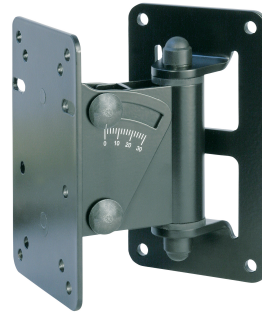


This loudspeaker system can permanently damage hearing! Use extreme care when setting sound pressure levels!

Optional accessories



Tilt adaptor (TA-TS400)



Wall mount kit (WMK-10, black version shown)



Flying kit (FB-TS400)



Carrying bag (SH-TS100)



TV spigot (FB-TV)



Truss clamp (TC-02)



Truss clamp to TV spigot adaptor (TC-TV)

System example



VA 312-100 system (2 x TS 100, 1 x PowerSub 312)

Ordering information

TS 100

1 x 6" / 1" full-range cabinet; aluminum housing;
600W/150W (peak/RMS); 16 Ω; black
Order number **F.01U.283.235**

Accessories

FB-TS400

Flying Kit for TS-Series Speakers
Order number **F.01U.267.862**

FB-TV

TV Spigot for Flying-Brackets for: PM-TV or TC-TV
Order number **F.01U.100.845**

SH-TS100

Dust cover/bag for TS 100
Order number **F.01U.283.242**

TA-TS400

Tilt adaptor for TS-Series Speakers
Order number **F.01U.267.861**

TC-02

Truss clamp 43-50 mm
Order number **F.01U.100.657**

TC-TV

Truss Clamp > TV Spigot 2" Truss Adapter
Order number **F.01U.100.727**

WMK-10

Rotatable Wall-Mount-Kit, black; max.10 kg
Order number **F.01U.119.022**

TS 100W

1 x 6" / 1" full-range cabinet; aluminum housing;
600W/150W (peak/RMS); 16 Ω; white
Order number **F.01U.283.236**

Accessories

FB-TS400

Flying Kit for TS-Series Speakers
Order number **F.01U.267.862**

FB-TV

TV Spigot for Flying-Brackets for: PM-TV or TC-TV
Order number **F.01U.100.845**

SH-TS100

Dust cover/bag for TS 100
Order number **F.01U.283.242**

TA-TS400

Tilt adaptor for TS-Series Speakers
Order number **F.01U.267.861**

TC-02

Truss clamp 43-50 mm
Order number **F.01U.100.657**

TC-TV

Truss Clamp > TV Spigot 2" Truss Adapter
Order number **F.01U.100.727**

WMK-10W

Rotatable Wall-Mount-Kit, white, max. 10 kg
Order number **F.01U.119.032**

Bosch Sicherheitssysteme GmbH
Robert-Bosch-Ring 5
85630 Grasbrunn
Germany

www.dynacord.com

© Bosch Sicherheitssysteme GmbH, 2013 | Data subject to change without notice
Document Number F01U284602 | Vs1 | 05. Sep 2013