



UABIAST

UABIAST In-line Power Supply

The Shure UABIAST in-line power supply user guide.
Version: 5 (2020-E)

Table of Contents

UABIASTUABIAST In-line Power Supply	3	Connecting to a Device	3
UABIAST In-line Power Supply	3	Specifications	3

UABIAST

UABIAST In-line Power Supply

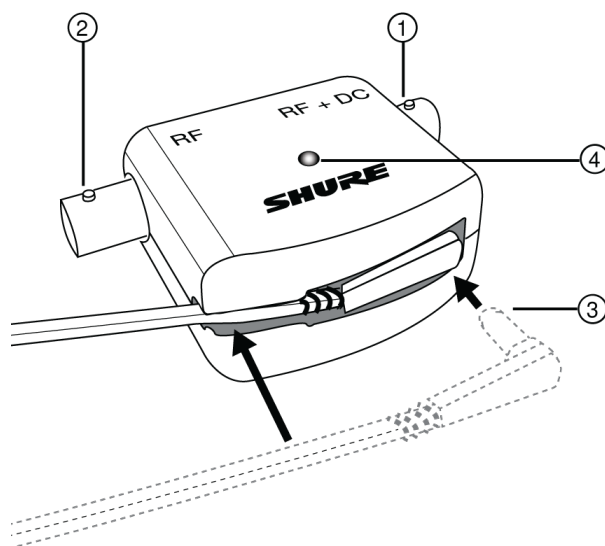
UABIAST In-line Power Supply

The Shure UABIAST is an in-line adapter that provides 12V DC Bias power to an active antenna or in-line accessory when a receiver's antenna input jack does not provide the necessary power. The UABIAST receives power from a wall outlet using a Shure PS24 power supply, and passes the RF signal while supplying power to an active antenna or other in-line device. It is capable of supplying power to three in-line amplifiers (Shure UA834), or two in-line amplifiers and one active antenna (Shure UA874).

Note: For cable runs exceeding 25 feet (7.6 meters), an in-line amplifier (Shure UA834) may be required to compensate for signal loss.

Connecting to a Device

Using Shure 50 Ohm BNC-BNC coaxial cables is recommended when making connections.



1. Connect the active device that requires DC power into the UABIAST input (marked "RF + DC").
2. Connect the UABIAST output (marked "RF only") to the antenna input of the wireless receiver.
3. Plug in a power adapter (Shure PS24) to the DC power input.
4. The green LED illuminates to verify the 12VDC is active.

Specifications

Frequency Range
100–2000 MHz

Maximum Input Power*12.4 V DC, 400 mA***+3 dB+10 dB****Insertion Loss****<1 dB****Connector Type****BNC, Female****Impedance****50 Ω** **Bias Voltage****12 V DC****Dimensions****25 x 67 x 49 mm (H x W x D)****Net Weight****49 g (1.73 oz.)****Operating Temperature Range****-7°C (45°F) to 38°C (100°F)**