

Parlé Video / Audio Conferencing Bars

Installation & Operation Guide



Connecting people through extraordinary audiovisual experiences™



Models

VBC 2500

ABC 2500



Wall and Table mounting options included

PRODUCT DESCRIPTION

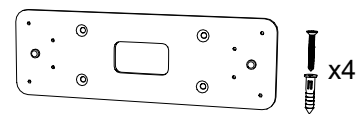
Parlé VBC 2500 and ABC 2500 are all-in-one conferencing bars featuring Biamp Audio Intelligence to deliver premium audiovisual experiences for small and medium conference rooms.

FEATURES

- Beamtracking microphone technology actively tracks and intelligently mixes conversations
- Deep learning noise reduction algorithm for clear voice reproduction
- Stereo smart speakers
- LED indicators for audio and video status
- Biamp Launch automated tuning system to optimize audio
- VBC 2500 - Electric Pan/Tilt/Zoom with 5x zoom and auto framing technology to keep participants in frame

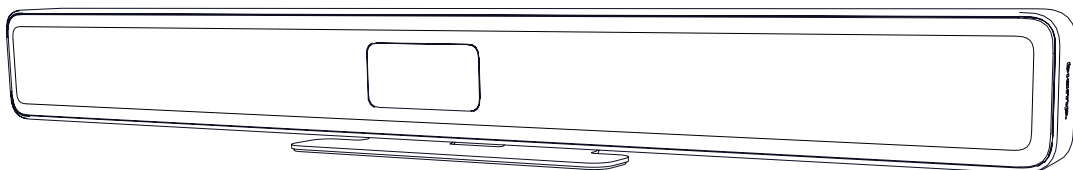
CONTENTS

- Parlé VBC 2500 or ABC 2500 conferencing bar
- Table stand (attached)
- Wall bracket and hardware
- USB-C cable



Wall Mount

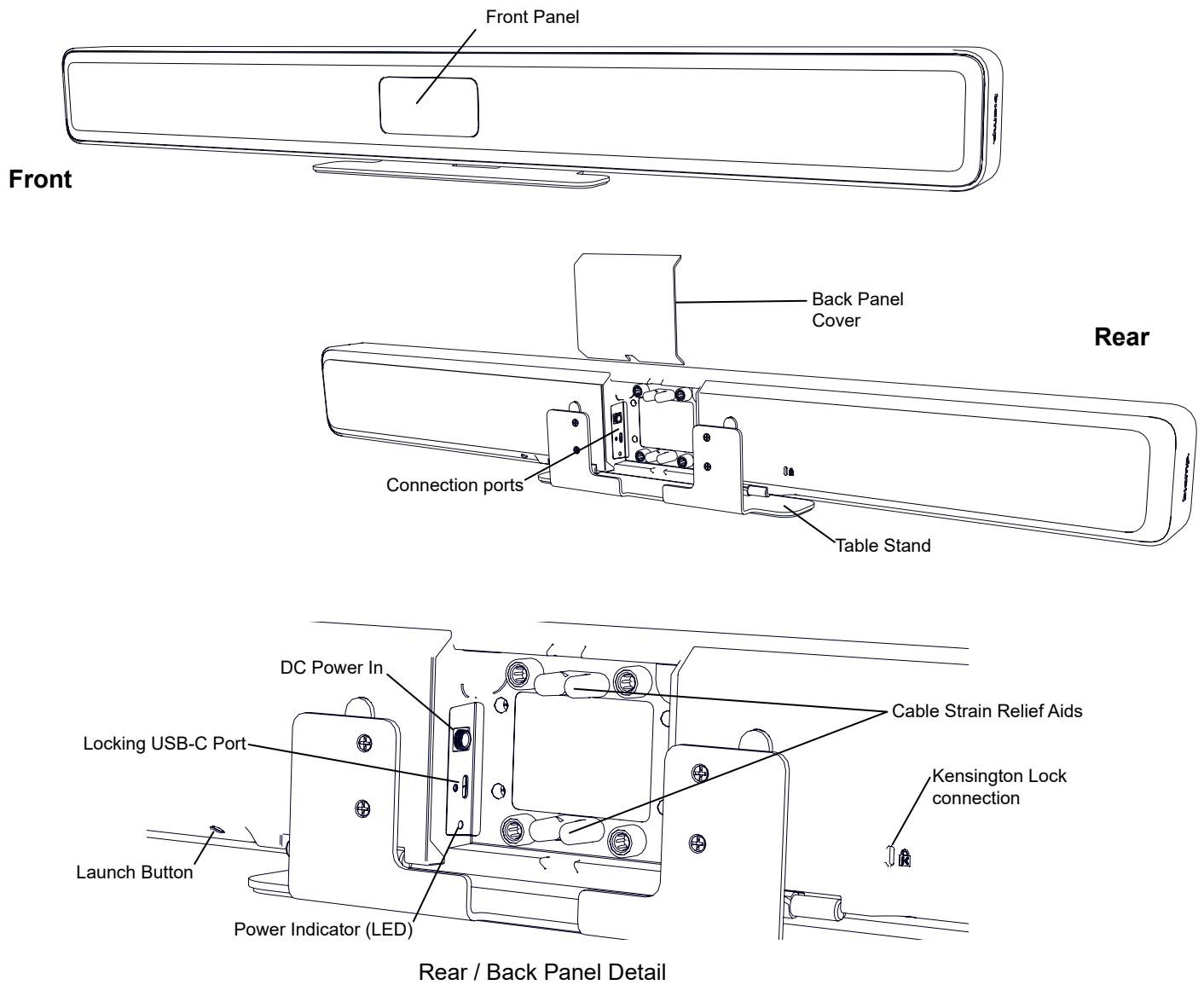
* **Power Supply:** (PS-12-60) 60 W power supply with cord is included in Europe



A: 9300 S.W. Gemini Drive Beaverton, OR 97008 USA

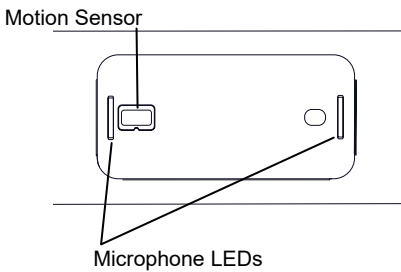
W: www.biamp.com

PRODUCT DETAILS



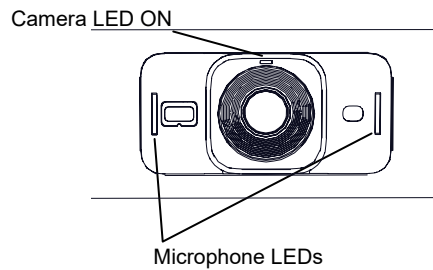
Front Panel / Status Indicators

ABC Bar

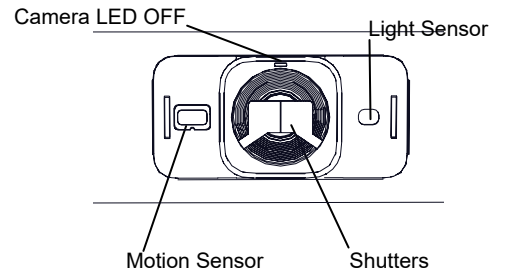


VBC Bar

Camera Stream Active



Camera Stream Inactive

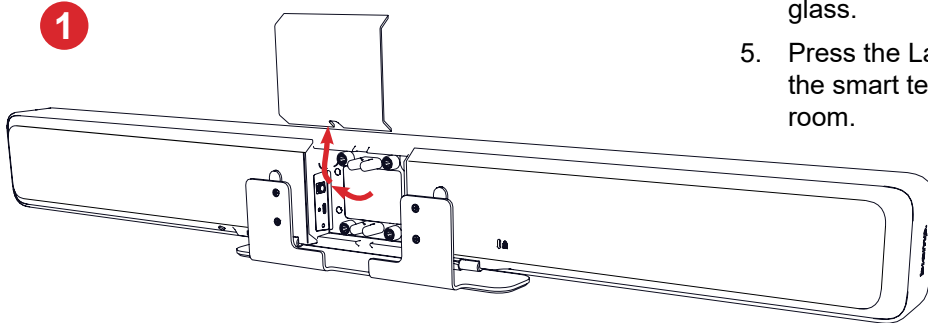


See [Status Indicators](#) section (pg 5) for behavior and the associated LED state.

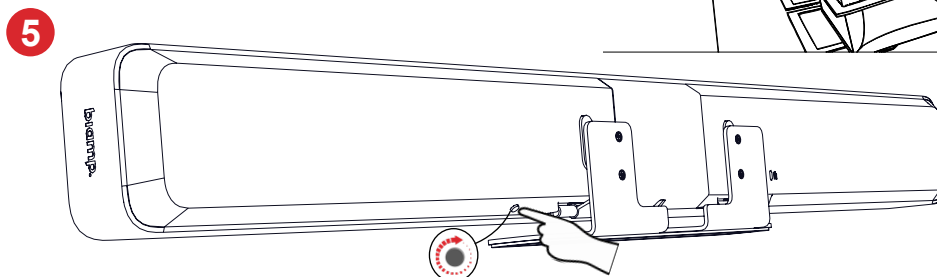
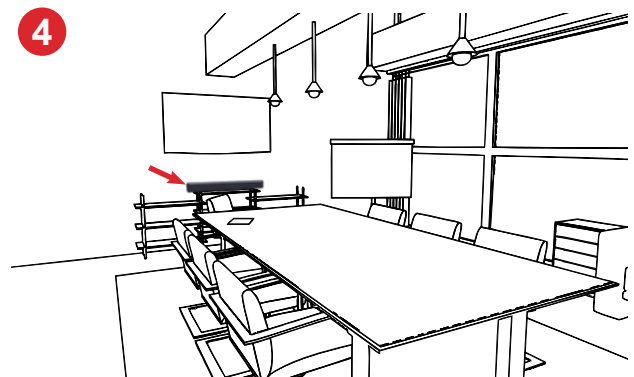
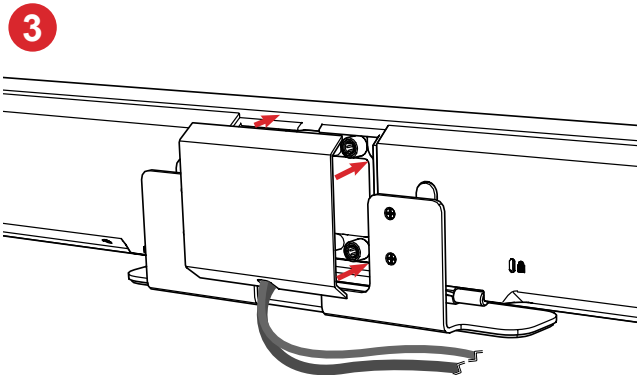
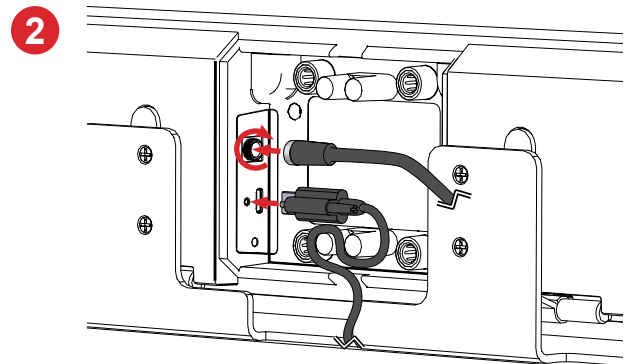
Tabletop Installation

The bar is shipped with the table mount attached. Clear an area on a table or stand (usually under the video display). Remove the bar from its packaging. The bars can be powered through the USB-C port, but the host device must be able to supply 60W over USB-C. If the host device cannot provide 60W, the Biamp auxiliary power supply (PS-12-60) must be used (included with the order).

1. Pull out and remove the back panel cover to expose the power connections.

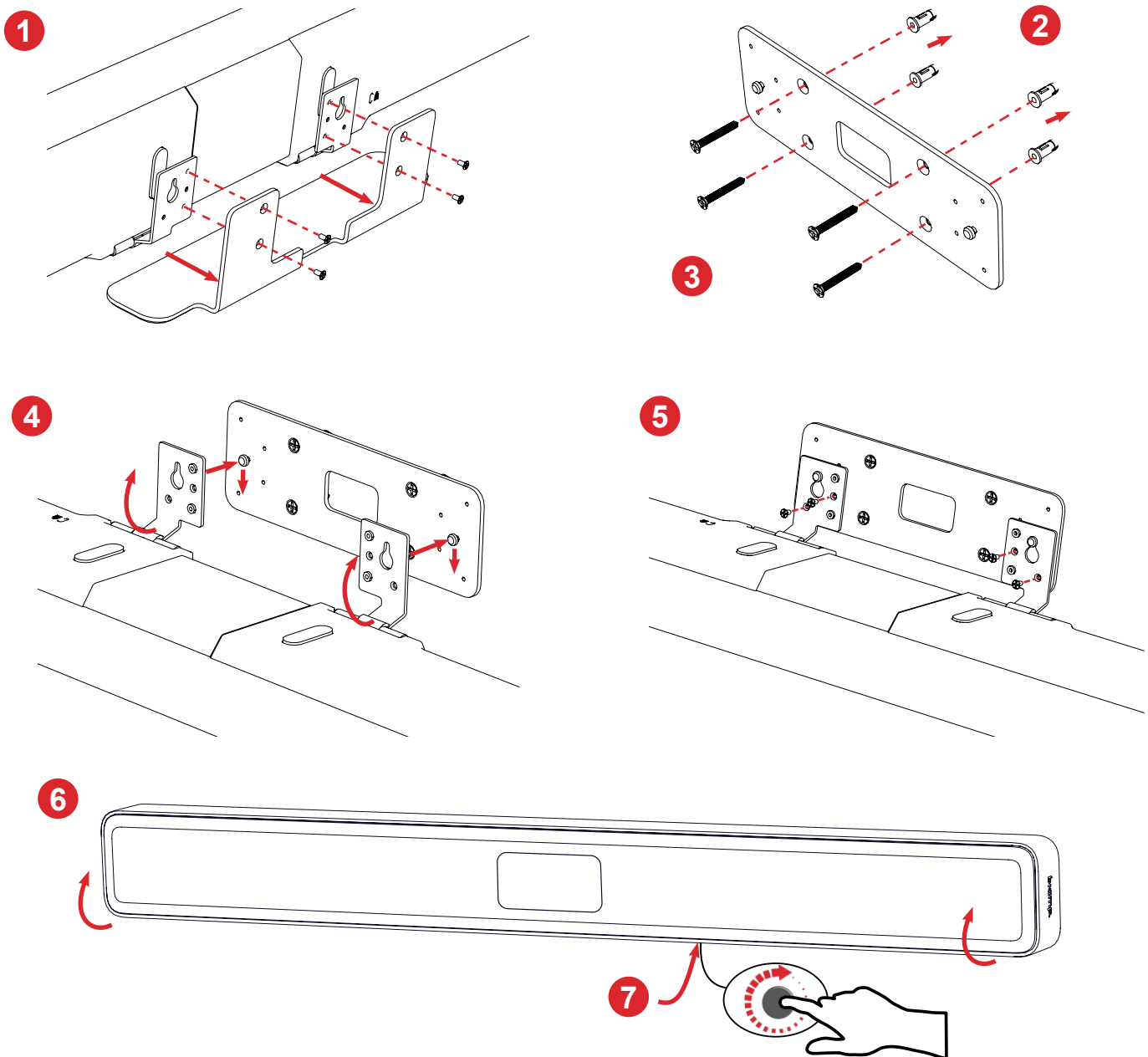


2. Connect the USB-C cable and secure with the screw. Connect the other end to the host device. If auxiliary power is necessary, connect and **fully screw** the power supply onto the threaded port, then plug the power supply into the wall.
3. Reinstall the input cover, routing the cords through the plastic stubs and the opening at the bottom of the cover. The stubs will provide strain relief for the cables.
4. Position the bar facing the conference table / occupants, and remove the film covering the center glass.
5. Press the Launch button (location shown), and allow the smart technology to optimize the audio for the room.



Wall Installation

1. Remove the table stand as shown. Reserve the (4) screws for reattachment to the wall plate.
2. Use the wall plate to mark the locations, and install the anchors in the wall.
3. Attach the plate to the wall.
4. Position the bar face down and rotate the hinge plates up 90°. Hang the bar on the wall plate knobs and move it down to capture the knobs.
5. Secure the bar with screws as shown (2 on each hinge).
- Note:** Connect cables and power as noted in Steps 1-3 on the previous page.
6. Rotate the bar up - back into position, and remove the film covering the center glass.
7. Press the Launch button (location shown), and allow the smart technology to optimize the audio for the room.



Operation

The Parlé Conference bars act as USB peripherals that are connected to USB host devices. Audio and video control is available to the connected host device's operating system and conferencing apps.

Biamp's Camera Controller software can be downloaded ([Mac](#) or [PC](#)). This software is used to facilitate firmware updates to both bar models, and can provide additional camera controls for the VBC bar. The file must be downloaded from the Biamp website first and then the firmware update can be initiated from the software.

Biamp Launch is the smart technology to optimize the audio for the room. Pressing the Launch button customizes the audio coverage based on the room's characteristics.

Status Indicators (Images page 2)

Audio - Microphone LEDs: center front (behind the glass)

Active with mic UNMUTED - Green

Active with mic MUTED - Red

Inactive - OFF

Video - Camera LED: VBC only - above camera (behind the glass)

Active with camera ON - LED ON - White, shutter open

Active with camera OFF - LED OFF, shutter open

Inactive - LED OFF, shutter closed

Optional Accessories

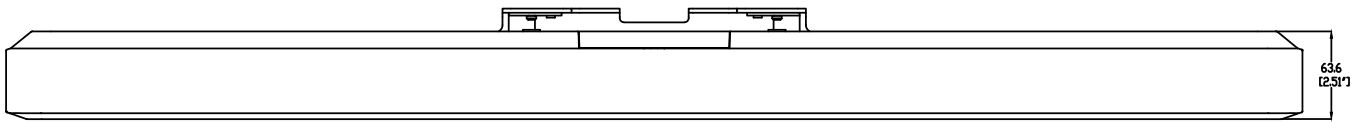
Display Mount: (PMA 2000-DM) allows bar to be mounted on a video display

Maintenance

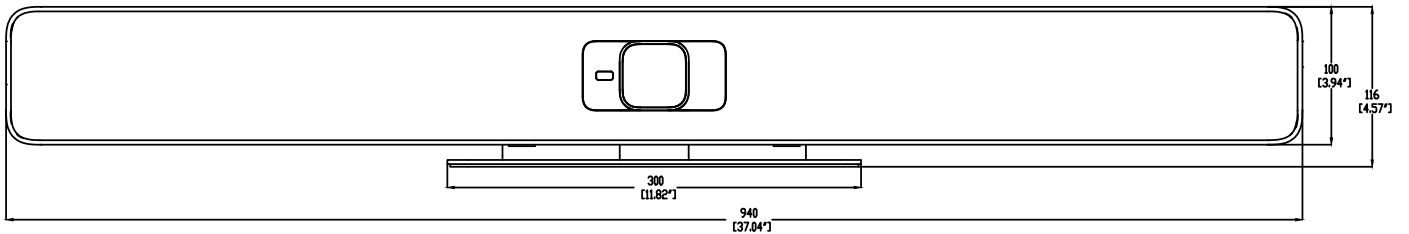
Factory reset: Press & hold the Launch button for 10 seconds to revert the bar to factory settings.

Cleaning: Use a soft cloth to wipe off dust. Do not spray any cleaning product directly on the bar.

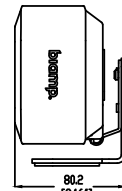
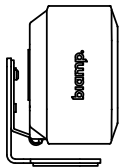
TECHNICAL DRAWINGS



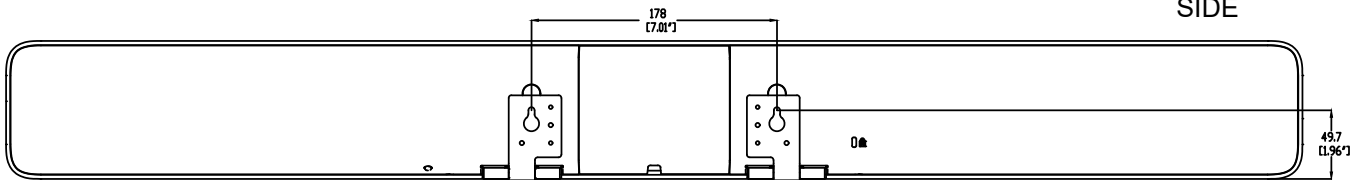
TOP



FRONT

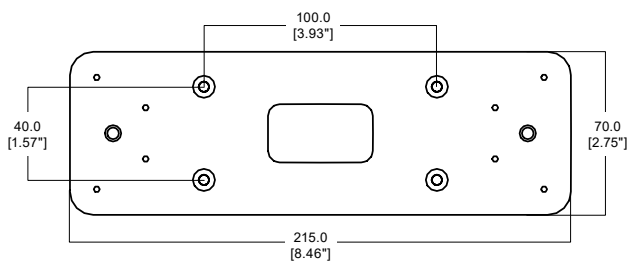


SIDE

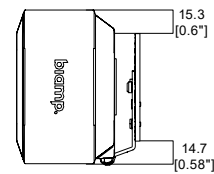


REAR

VBC 2500 shown attached to table mount



WALL PLATE



SIDE

Shown attached to wall mount

CONTACT US

Email: support@biamp.com

Warranty: biamp.com/legal/warranty-information

Web: support.biamp.com

Safety & Compliance: biamp.com/compliance