

Parlé
Video / Audio Conferencing Bars
Installation & Operation Guide



Models

VBC 2500 series

ABC 2500 series



Wall and Table mounting options included

PRODUCT DESCRIPTION

Parlé VBC 2500 and ABC 2500 series models are all-in-one conferencing bars featuring Biamp Audio Intelligence to deliver premium audiovisual experiences for small and medium conference rooms.

Parlé VBC/ABC 2500 series bars have 3 mounting options:

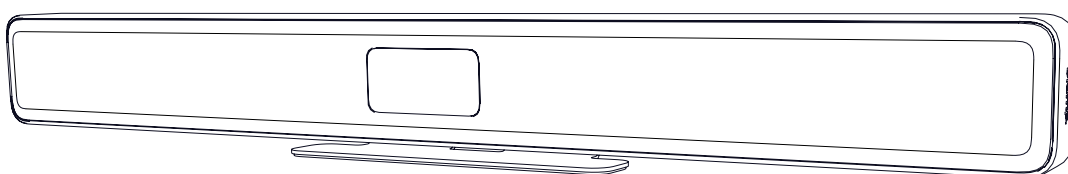
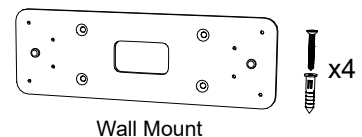
- **Table Mount** - comes attached to the bar in the box
- **Wall Mount Plate** - (included) Allows the bar to be permanently mounted to the wall (*table stand must be removed for attachment*).
- **Display Mount (optional accessory)** - Allows the bar to be positioned above or below a TV, Monitor or other video device.

FEATURES

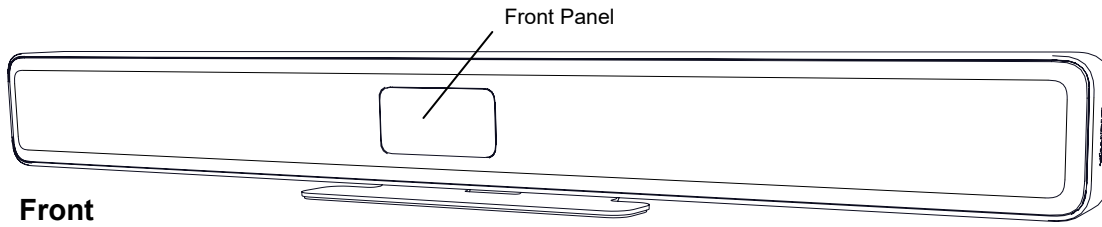
- Beamtracking microphone technology actively tracks and intelligently mixes conversations
- Deep learning noise reduction algorithm for clear voice reproduction
- Stereo smart speakers
- LED indicators for audio and video status
- Biamp Launch automated tuning system to optimize audio
- VBC 2500 series - Electric Pan/Tilt/Zoom with 5x zoom and auto framing technology to keep participants in frame
- VBC/ABC 2500a models include support and connectivity for Assisted Listening Systems (ALS) (3.5mm jack)

CONTENTS

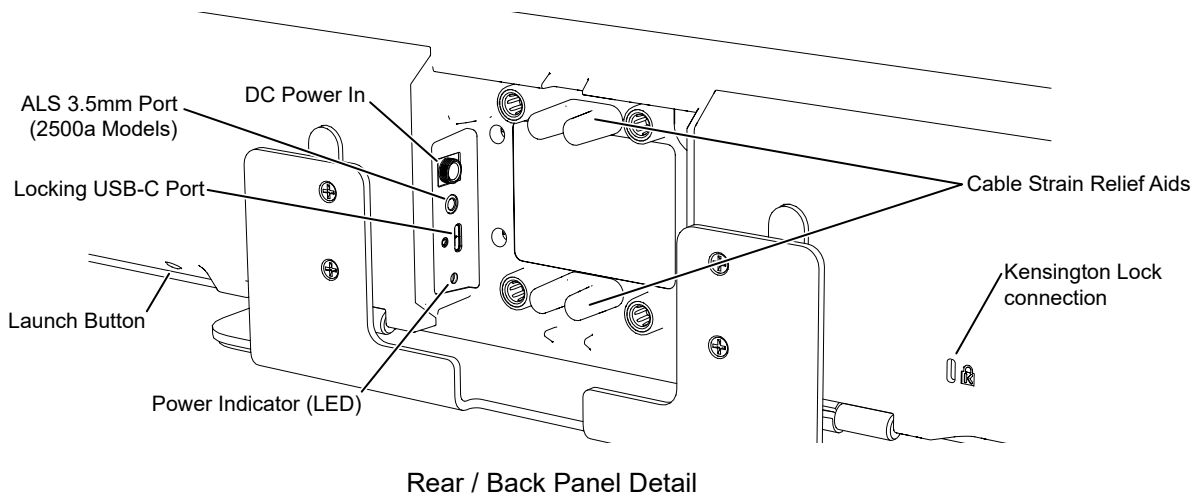
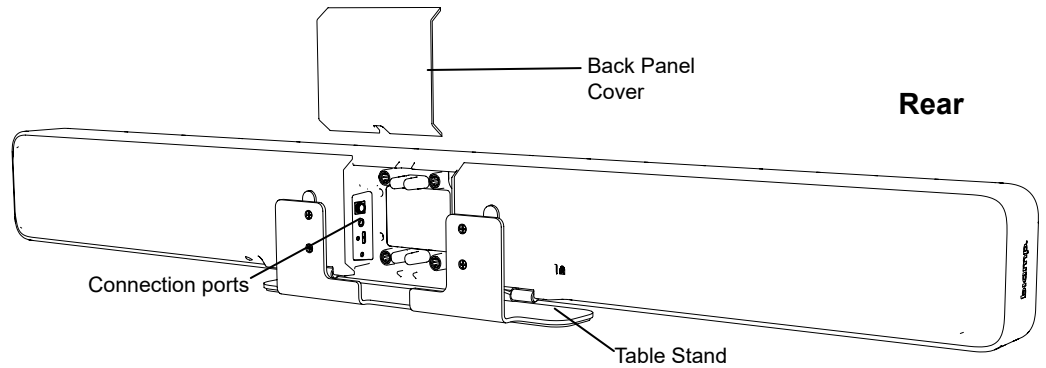
- Parlé VBC or ABC 2500 series conferencing bar
- Table stand (attached)
- Wall bracket and hardware
- USB-C cable
- 60W Power supply with cord



PRODUCT DETAILS

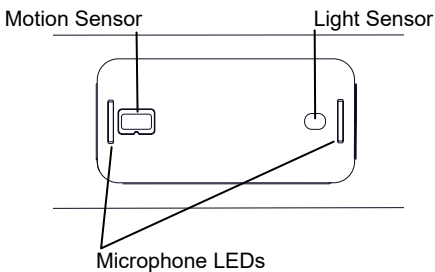


The bars can be powered through the USB-C port, but the host device must be able to supply 60W over USB-C. If the host device cannot provide 60W, the included Biamp auxiliary power supply (PS-12-60) must be used.

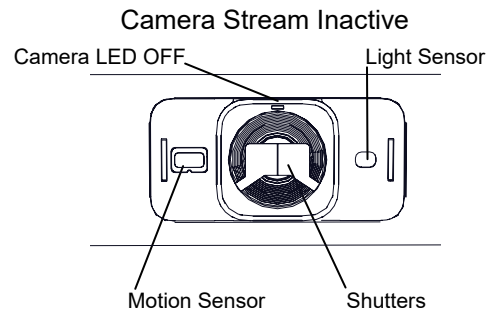
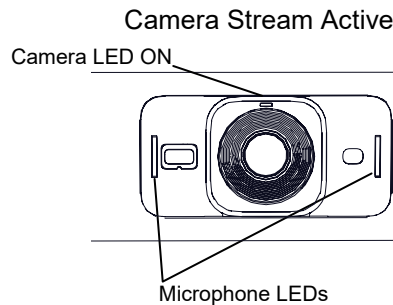


Front Panel / Status Indicators

ABC Bar



VBC Bar

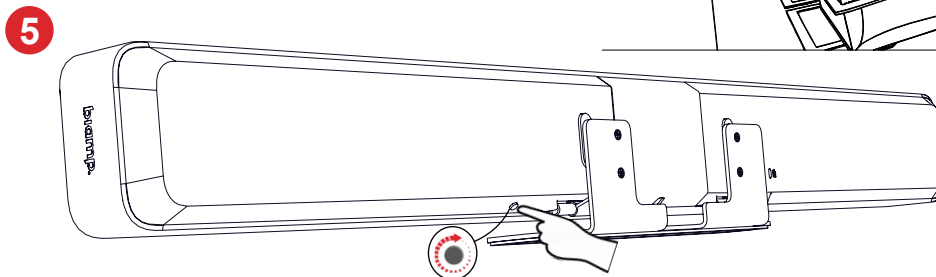
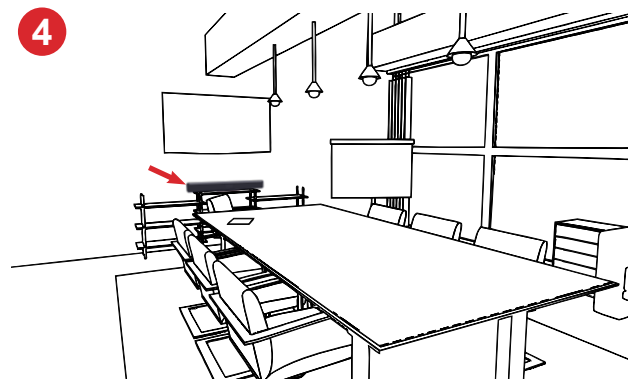
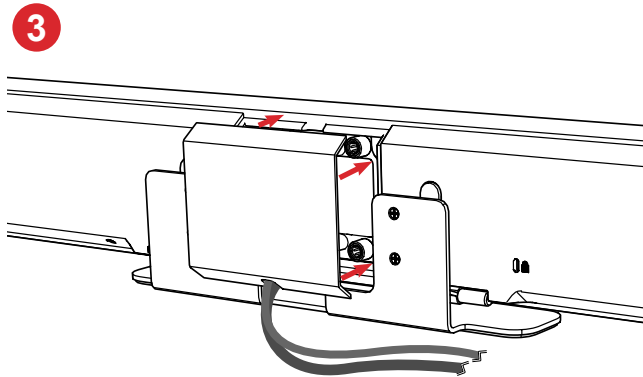
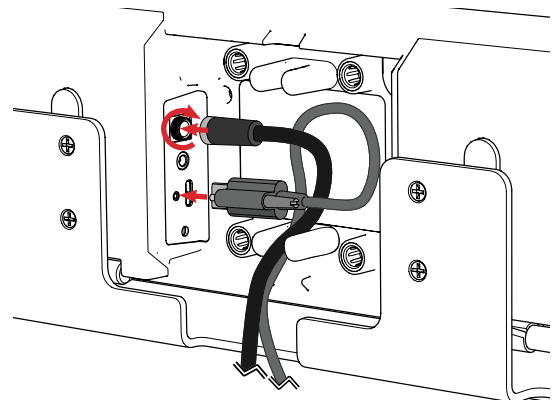
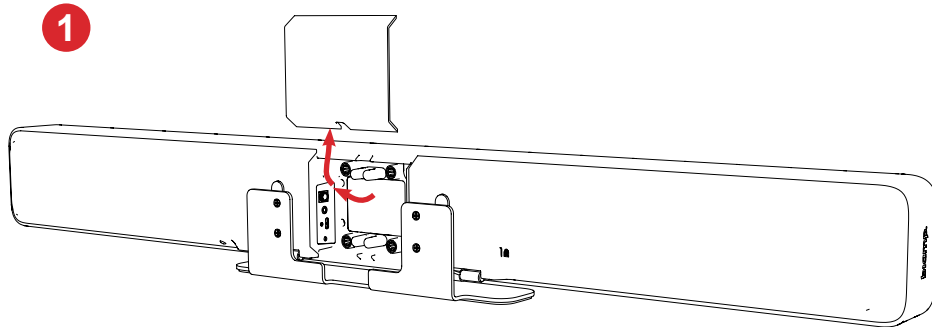


See [Status Indicators](#) section (pg 5) for behavior and the associated LED state.

Tabletop Installation

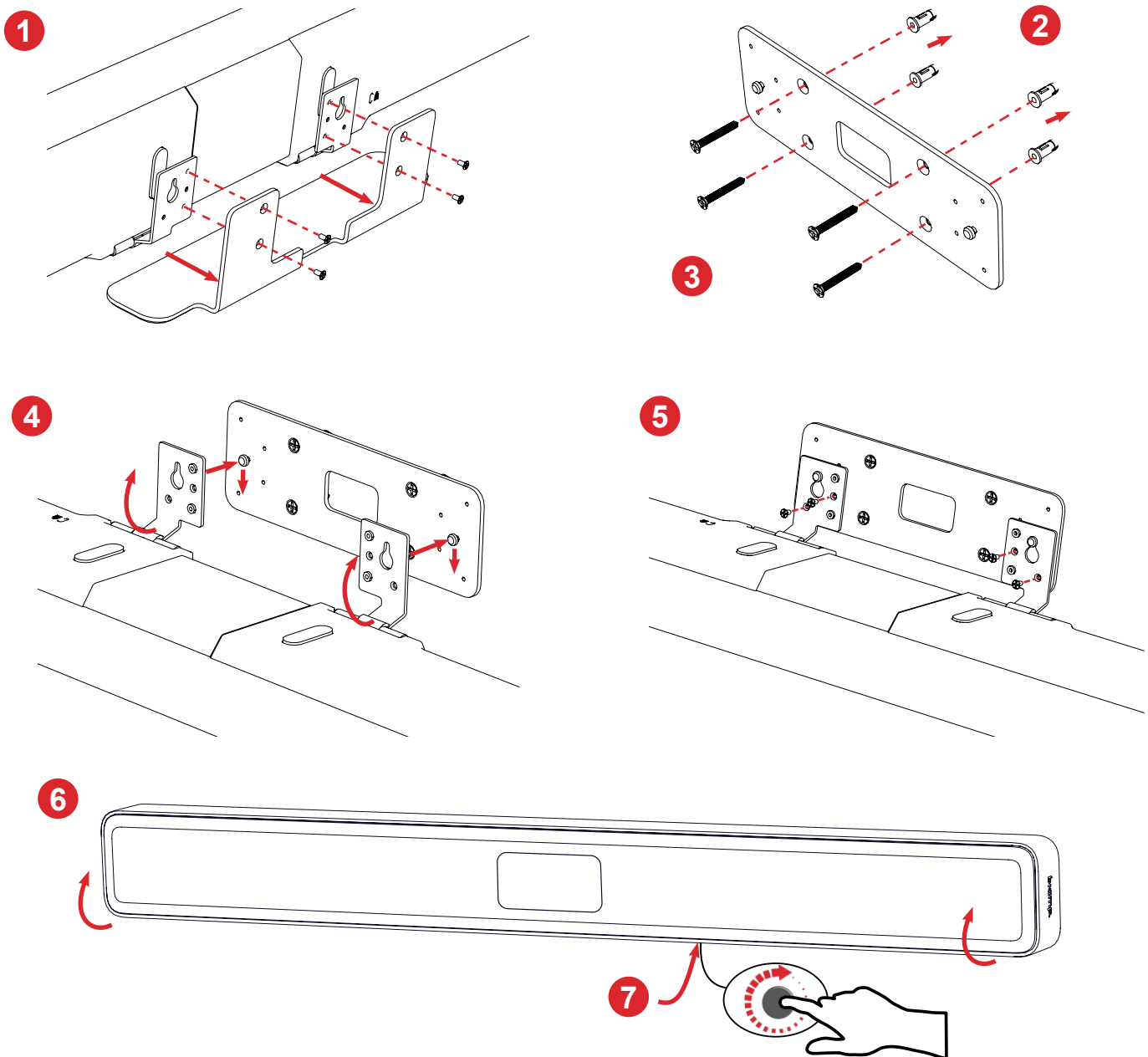
The bar is shipped with the table mount attached. Clear an area on a table or stand. Pull out and remove the back panel cover to expose the power connections.

1. Connect the USB-C cable and secure with the screw. Connect the other end to the host device. If auxiliary power is necessary, connect and **fully screw** the power supply onto the threaded port, then plug the power supply into the wall.
2. Reinstall the input cover, routing the cords through the plastic stubs and the opening at the bottom of the cover. The stubs will provide strain relief for the cables.
3. Position the bar facing the conference table / occupants, and remove the film covering the center glass.
4. Press the Launch button (location shown), and allow Launch to optimize the audio for the room.



Wall Installation

1. Remove the table stand as shown. Reserve the (4) screws for reattachment to the wall plate.
2. Use the wall plate to mark the locations, and install the anchors in the wall.
3. Attach the plate to the wall.
4. Position the bar face down and rotate the hinge plates up 90°. Hang the bar on the wall plate knobs and move it down to capture the knobs.
5. Secure the bar with screws as shown (2 on each hinge).
- Note:** Connect cables and power as noted in [Steps 1-3](#) on the previous page.
6. Rotate the bar up - back into position, and remove the film covering the center glass.
7. Press the Launch button (location shown), and allow Launch to optimize the audio for the room.



Operation

The Parlé Conference bars act as USB peripherals that are connected to USB host devices. Audio and video control is available to the connected host device's operating system and conferencing apps.

Biamp's Camera Controller software can be downloaded ([here](#)). This software is used to facilitate firmware updates to both bar models, and can provide additional camera controls for the VBC bar. The file must be downloaded from the Biamp website first and then the firmware update can be initiated from the software.

Biamp Launch is the smart technology to optimize the audio for the room. Pressing the Launch button customizes the audio coverage based on the room's characteristics. The LEDs on the front panel will flash red/green slowly until Launch is initiated, and then during the Launch process. If necessary, the Launch process can be interrupted by following the factory reset procedure below.

Status Indicators (Images page 2)

Audio - Microphone LEDs: center front (behind the glass)

Active with mic UNMUTED - Green

Active with mic MUTED - Red

Inactive - OFF

Flashing slow Red/Green - Factory reset, ready for Launch.

Video - Camera LED: VBC only - above camera (behind the glass)

Active with camera ON - LED ON - White, shutter open

Active with camera OFF - LED OFF, shutter open

Inactive - LED OFF, shutter closed

Optional Accessories

Display Mount: (PMA 2000-DM) allows bar to be mounted on a VESA-mounted video display (above or below the display). Instructions available [here](#).

Replacement Power Supply: (PS-12-60) 60W power supply with cord

Maintenance

Factory reset: Press & hold the Launch button for 10 seconds to revert the bar to factory settings.

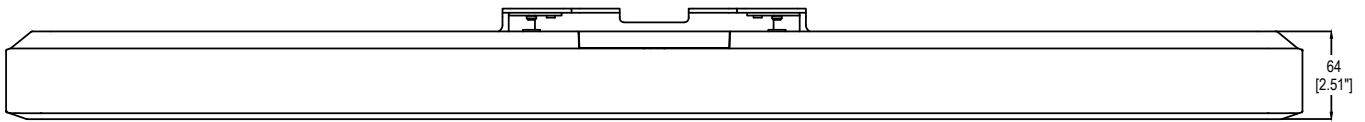
Cleaning: Use a soft cloth to wipe off dust. Do not spray any cleaning product directly on the bar.

Resources

Informational Articles on Cornerstone: [Parlé](#)

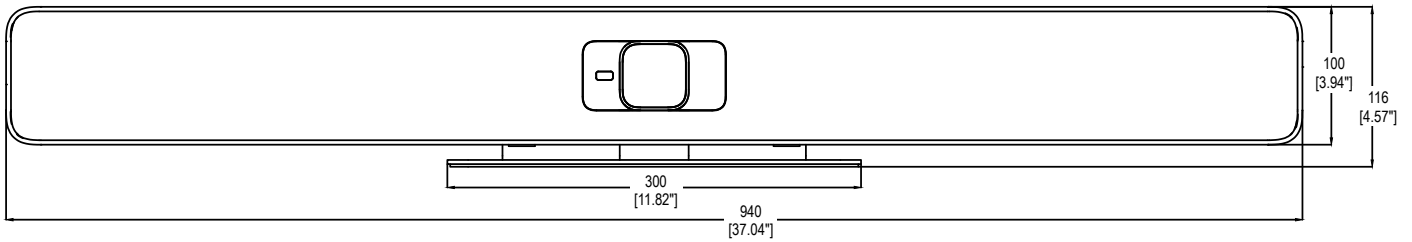
Biamp Camera Controller Help: [help file](#)

TECHNICAL DRAWINGS

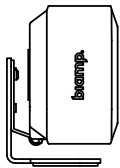


TOP

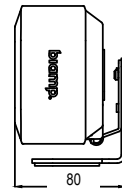
Top, Front and upper Side views show bar attached to table stand



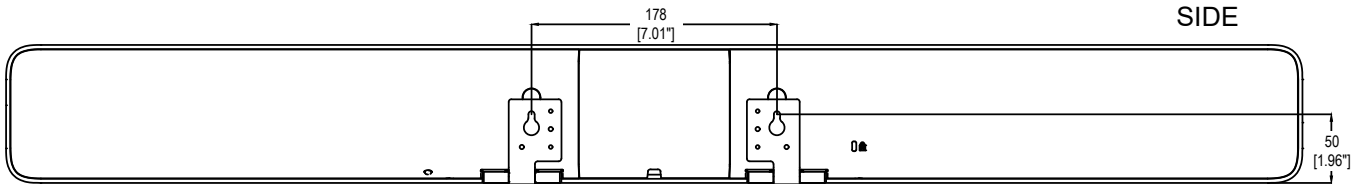
FRONT



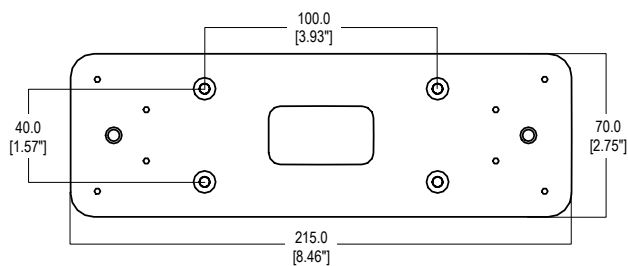
SIDE



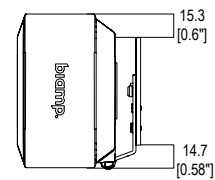
SIDE



REAR



WALL PLATE



SIDE

Side View above shows bar attached to wall mount

CONTACT US

Email: support@biamp.com

Warranty: biamp.com/legal/warranty-information

Web: support.biamp.com

Safety & Compliance: biamp.com/compliance